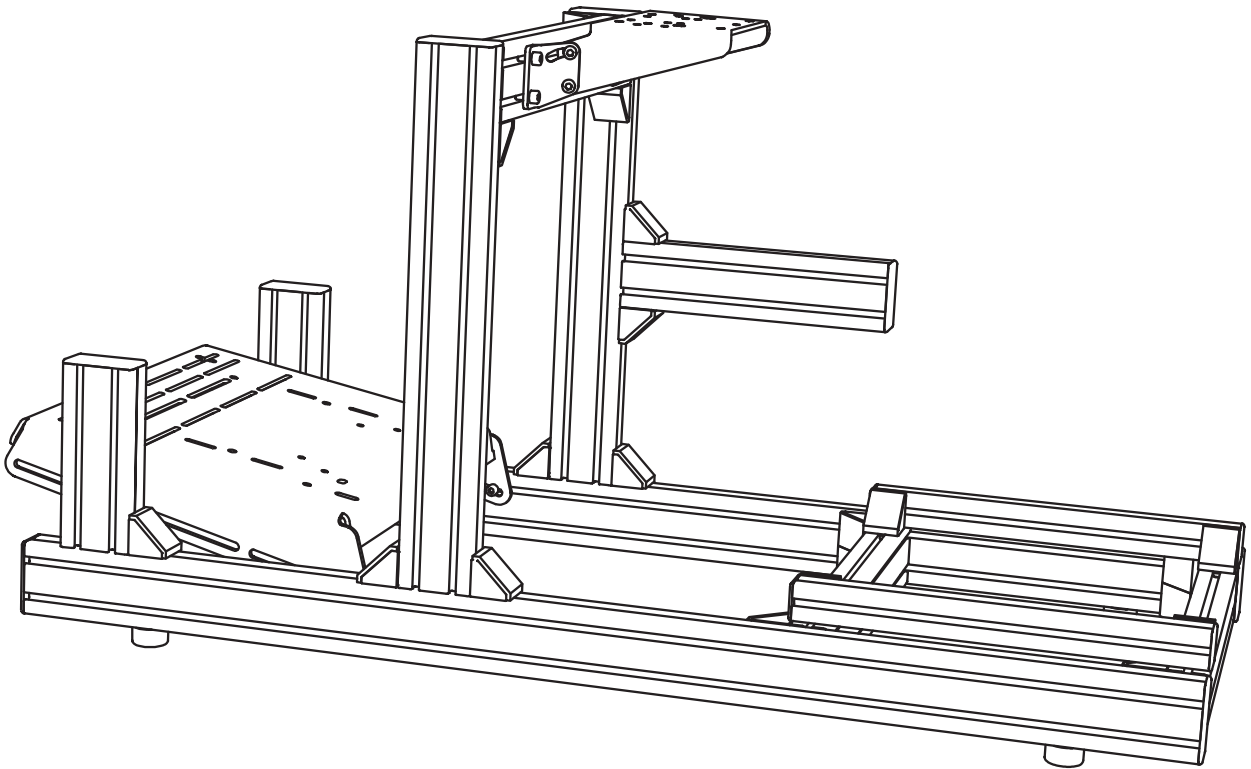


GT1-EVO

INSTRUCTION MANUAL



SKU: **SLC001**

<https://sim-lab.eu/shop/product/slc001-gt1-evo-sim-racing-cockpit-446>

info@sim-lab.eu



Required tools:



5/6 mm

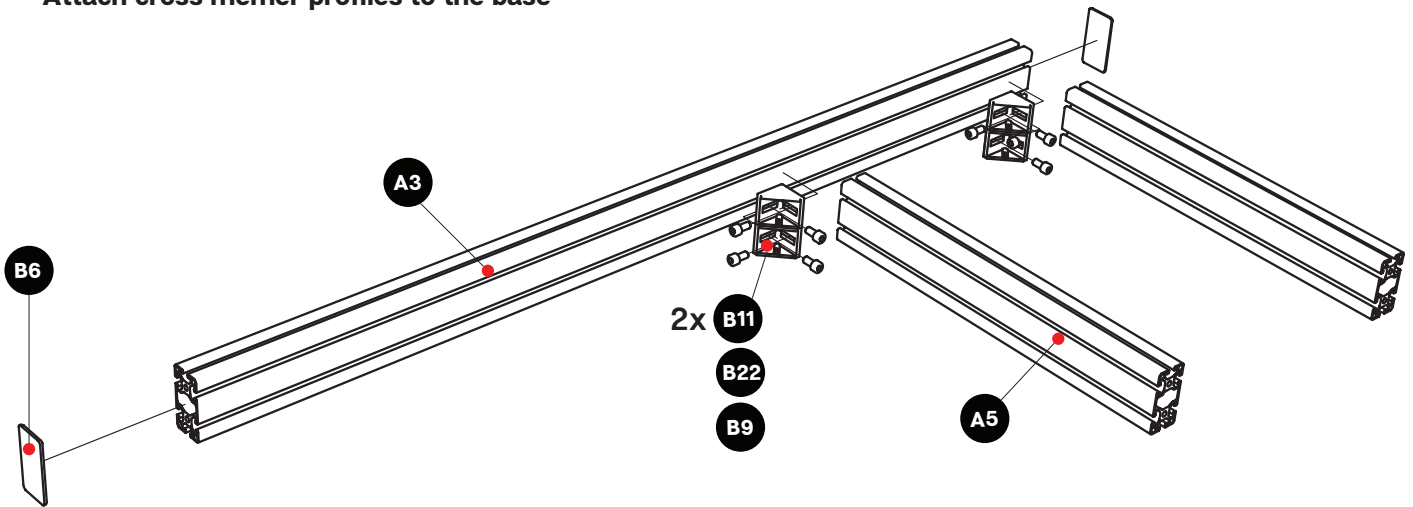


11 mm



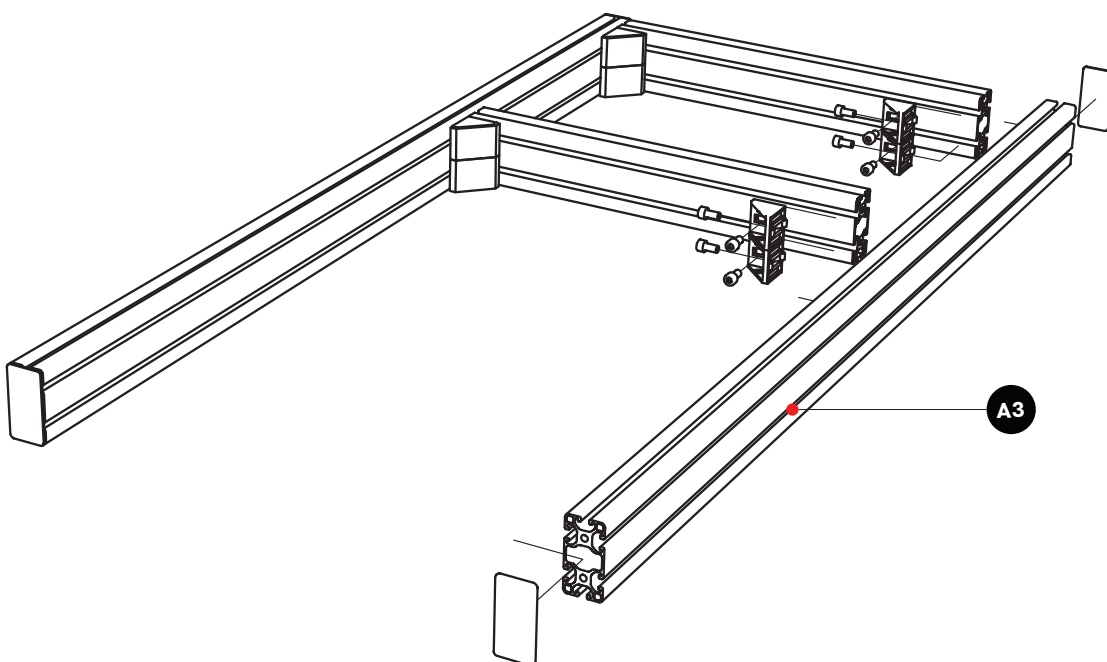
STEP 1

Attach cross member profiles to the base



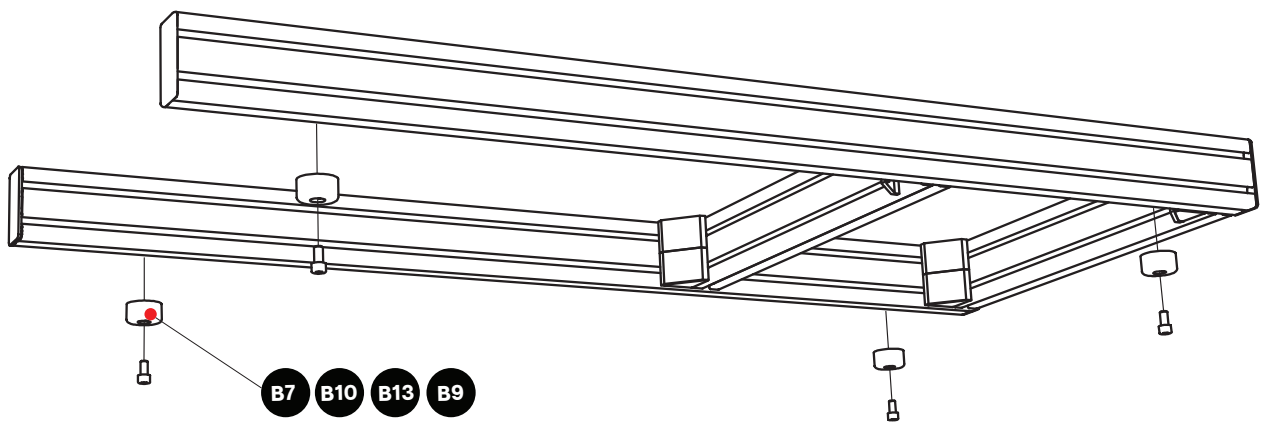
STEP 2

Attach second base profile to the assembly



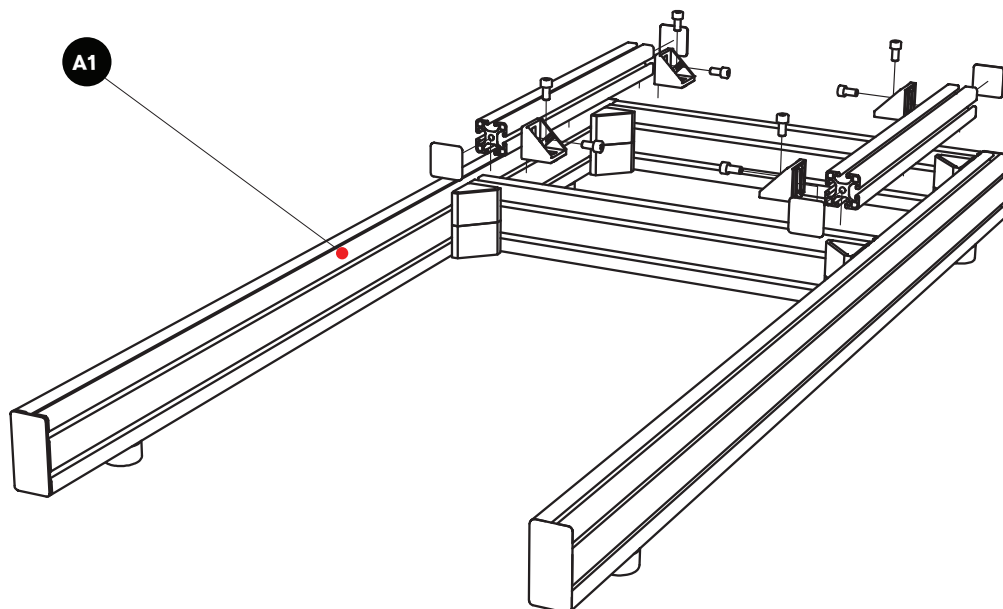
STEP 3

Once the base frame is assembled, attach the rubber feet to the ottom



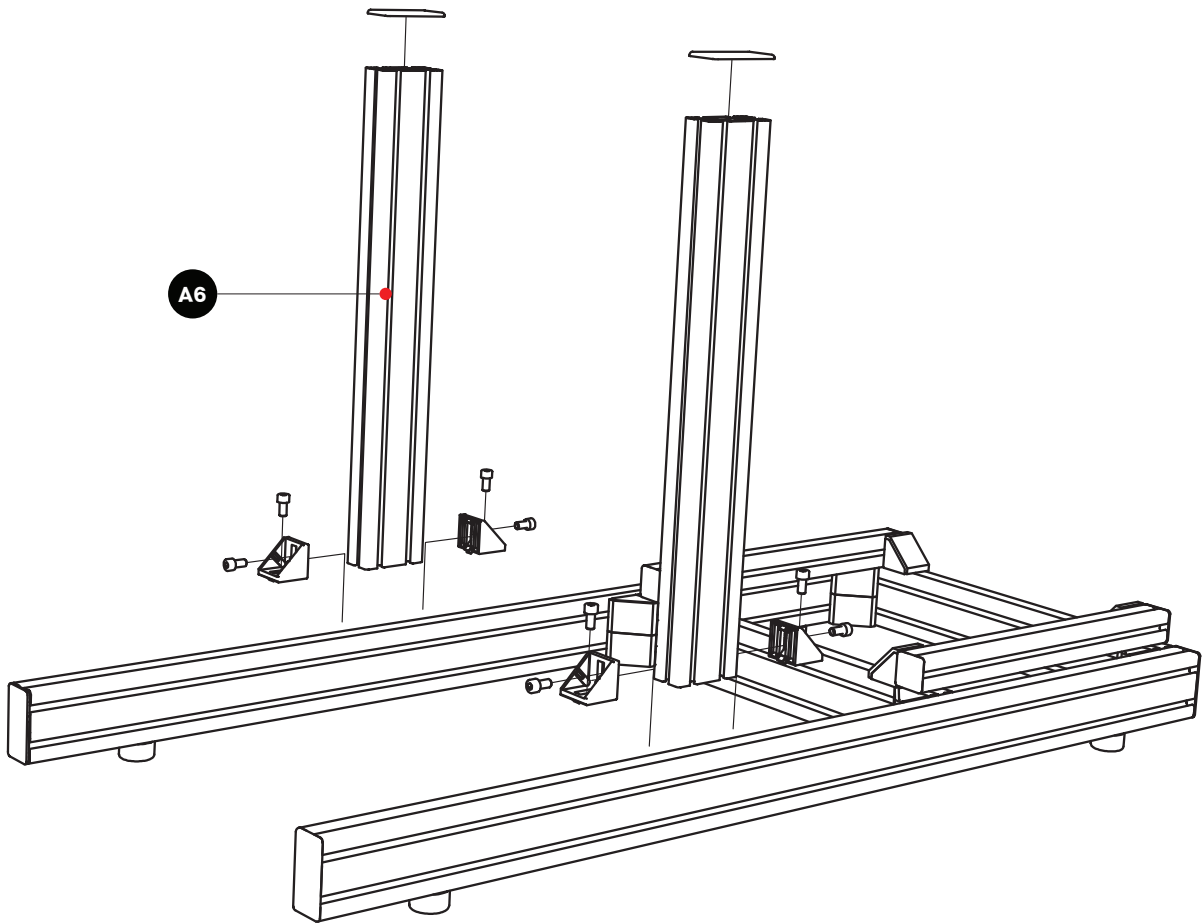
STEP 4

Add seat rail profiles



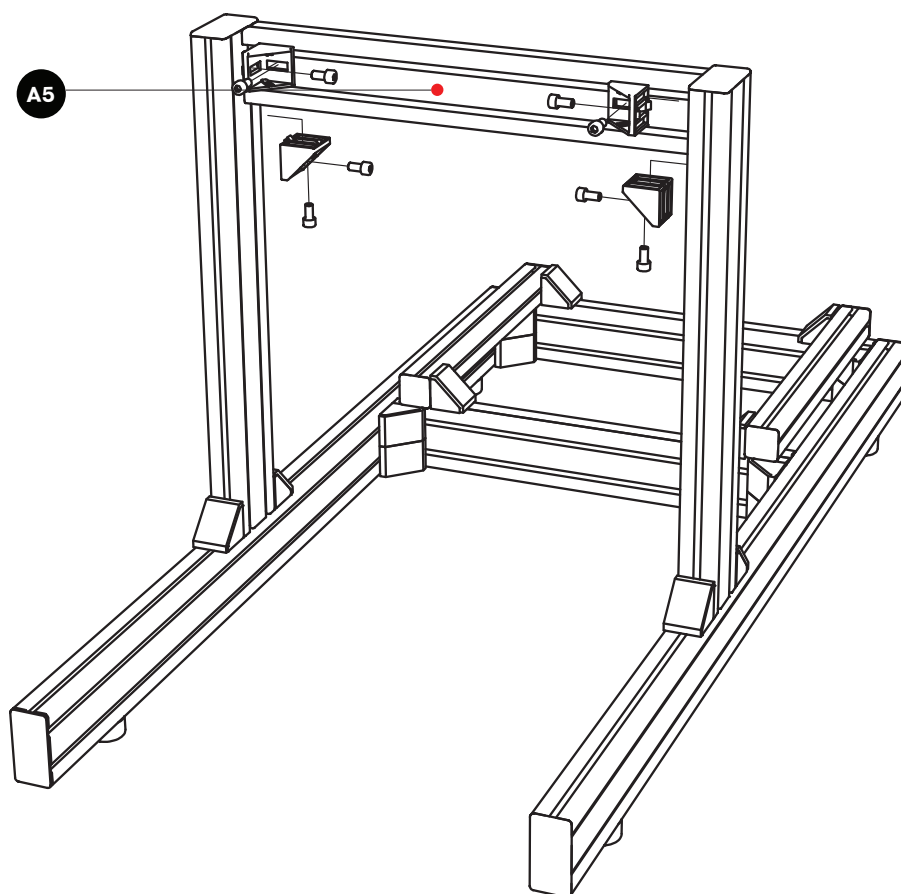
STEP 5

Attach the uprights



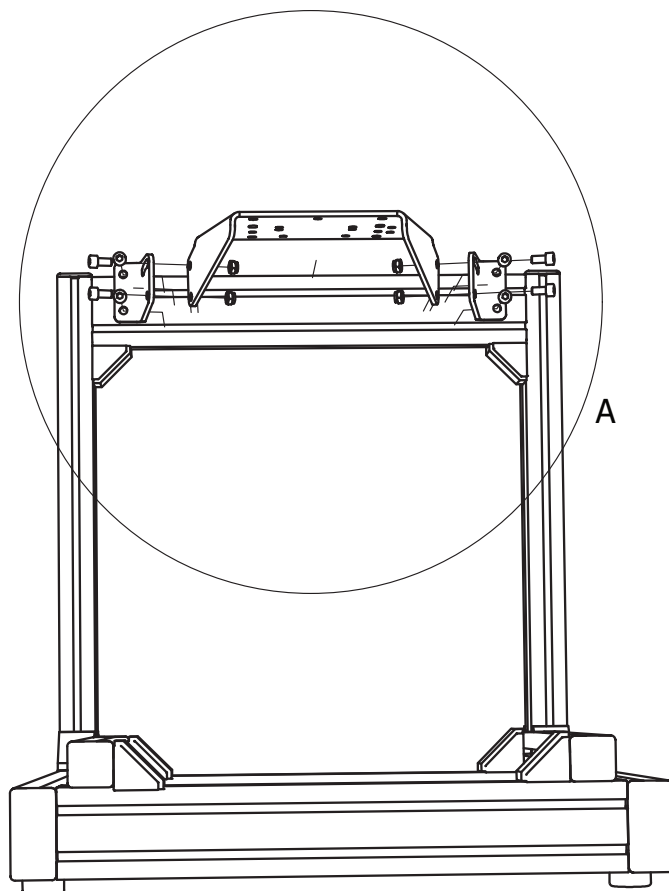
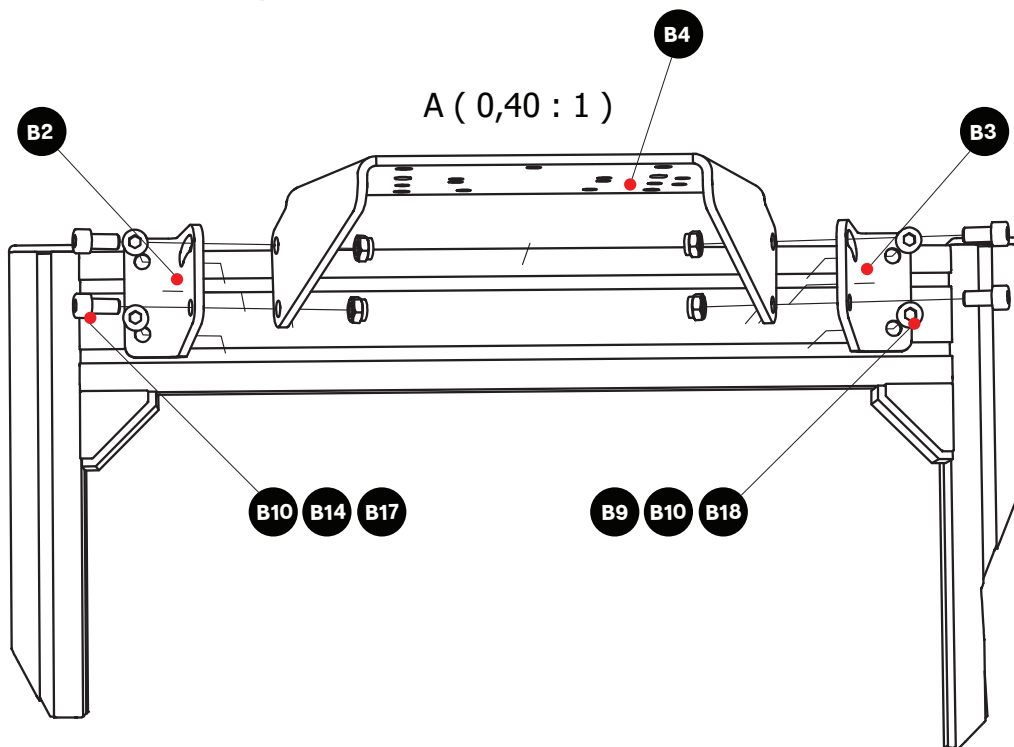
STEP 6

Attach the wheeldeck holder profile



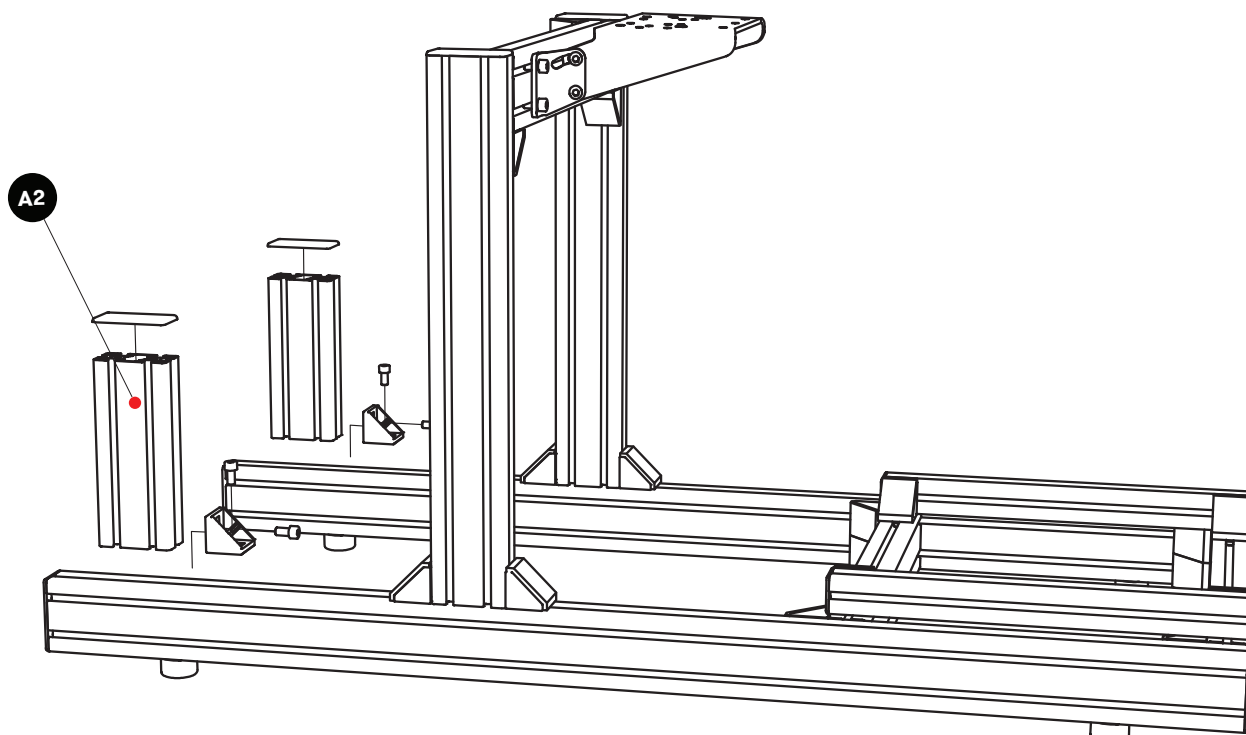
STEP 7

Attach the wheeldeck to the profile



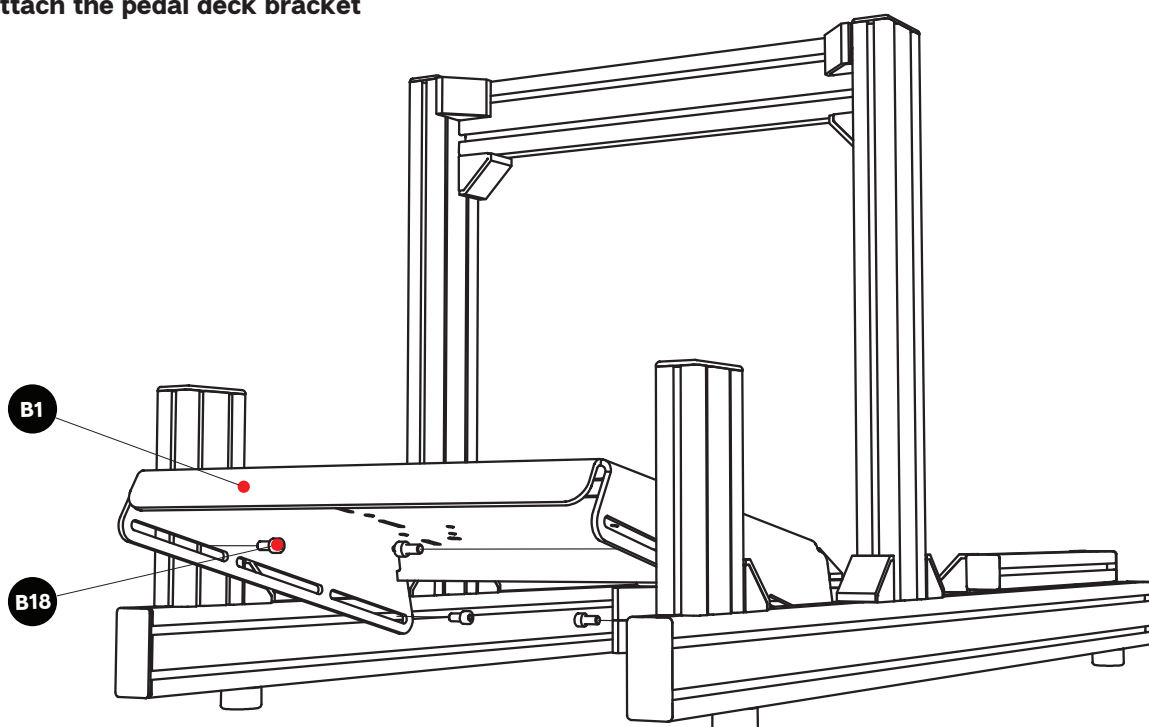
STEP 8

Attach the pedal upright profiles



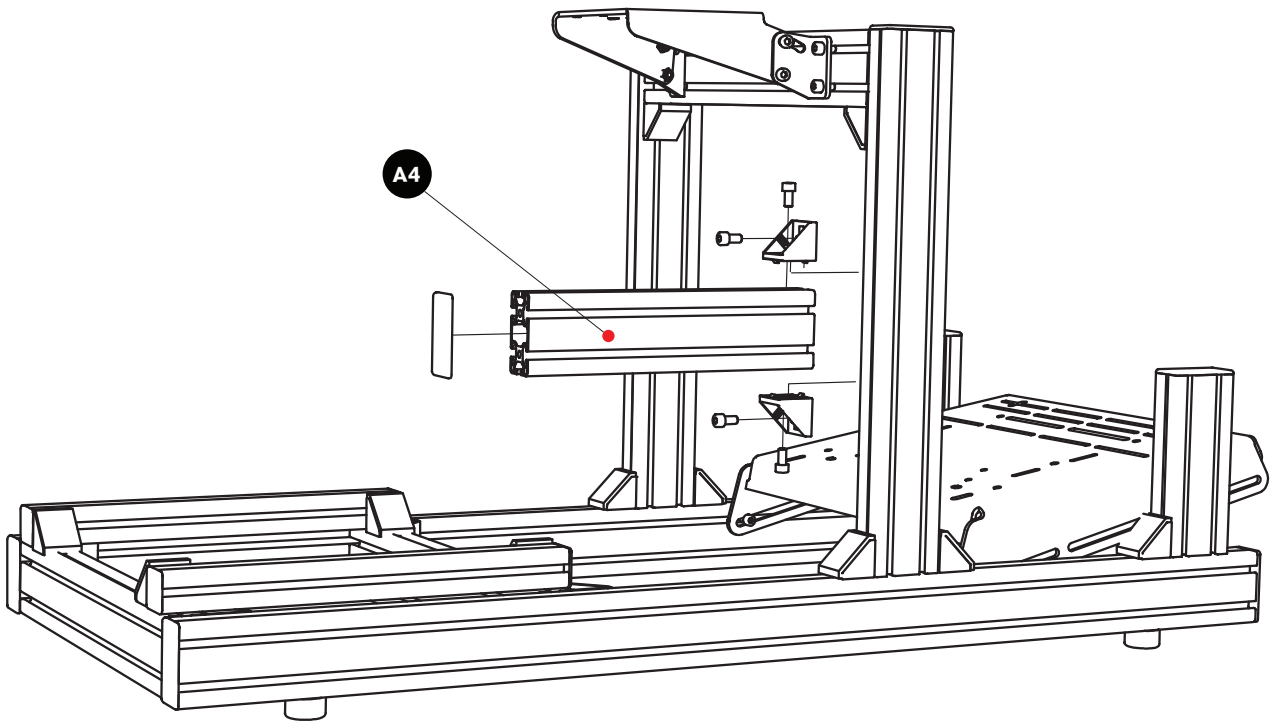
STEP 9

Attach the pedal deck bracket



STEP 10

Attach the side mount



Parts list

Profile kit			
A1	Profile 40mm slot 8 (Black, 40x40L) - 500mm	2	Units
A2	Profile 40mm slot 8 (Black, 40x80L) - 195mm	2	Units
A3	Profile 40mm slot 8 (Black, 40x80L) - 1350mm	2	Units
A4	Profile 40mm slot 8 (Black, 40x80L) - 330mm	1	Units
A5	Profile 40mm slot 8 (Black, 40x80L) - 500mm	3	Units
A6	Profile 40mm slot 8 (Black, 40x80L) - 540mm	2	Units

Hardware kit				
	Part name	Qty	UoM	Note
B1	GT1 EVO pedal deck	1	Units	
B2	GT1 EVO wheeldeck pivot plate (LEFT)	1	Units	
B3	GT1 EVO wheeldeck pivot plate (RIGHT)	1	Units	
B4	GT1 EVO wheeldeck plate	1	Units	
B5	End cap profile (40x40L)	4	Units	
B6	End cap profile (40x80L)	9	Units	
B7	Rubber feet	4	Units	
B8	Slot 8 nut (M6)	20	Units	
B9	Slot 8 nut (M8)	80	Units	
B10	Washer (Black steel, M8, Plain black)	12	Units	
B11	Bolt - DIN 912 (Galvanised, 16mm, M8)	60	Units	
B12	Bolt - DIN 912 (Black steel, 12mm, M8)	4	Units	
B13	Bolt - DIN 912 (Galvanised, 20mm, M6)	8	Units	
B14	Nut (M8, DIN 985 locknut, Galvanised)	8	Units	
B15	Nut (M6, DIN 985 locknut, Galvanised)	12	Units	
B16	Nut (M5, DIN 985 locknut, Galvanised)	12	Units	
B17	Bolt - DIN 912 (Black steel, 20mm, M8)	8	Units	
B18	Bolt - DIN 912 (Black steel, 16mm, M8)	12	Units	
B19	Bolt - DIN 912 (Black steel, 20mm, M6)	12	Units	
B20	Bolt - DIN 912 (Black steel, 16mm, M6)	10	Units	
B21	Bolt - DIN 912 (Black steel, 25mm, M5)	12	Units	
B22	Corner Bracket + cover cap	28	Units	