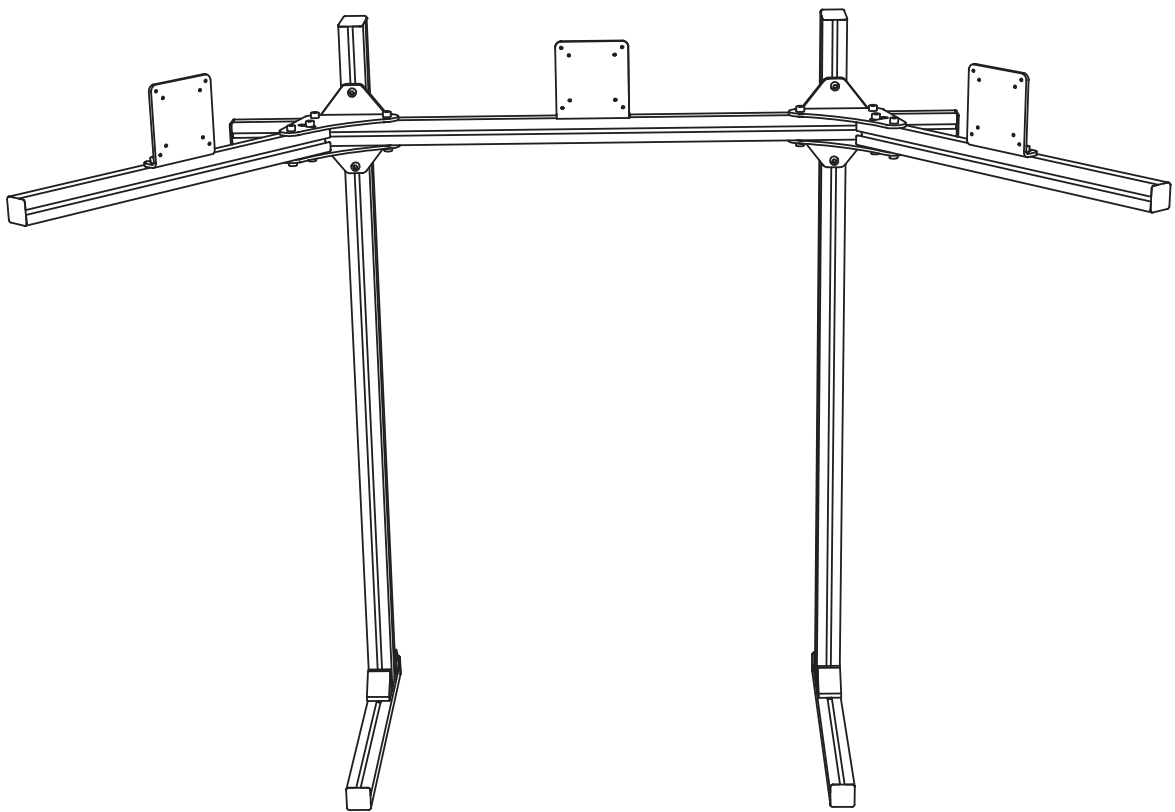


Triple monitor mount 75/100

INSTRUCTION MANUAL



SKU: **SLT015**

<https://sim-lab.eu/shop/product/triple-monitor-mount-19-42-vesa-675>

info@sim-lab.eu



Required tools:



5/6 mm



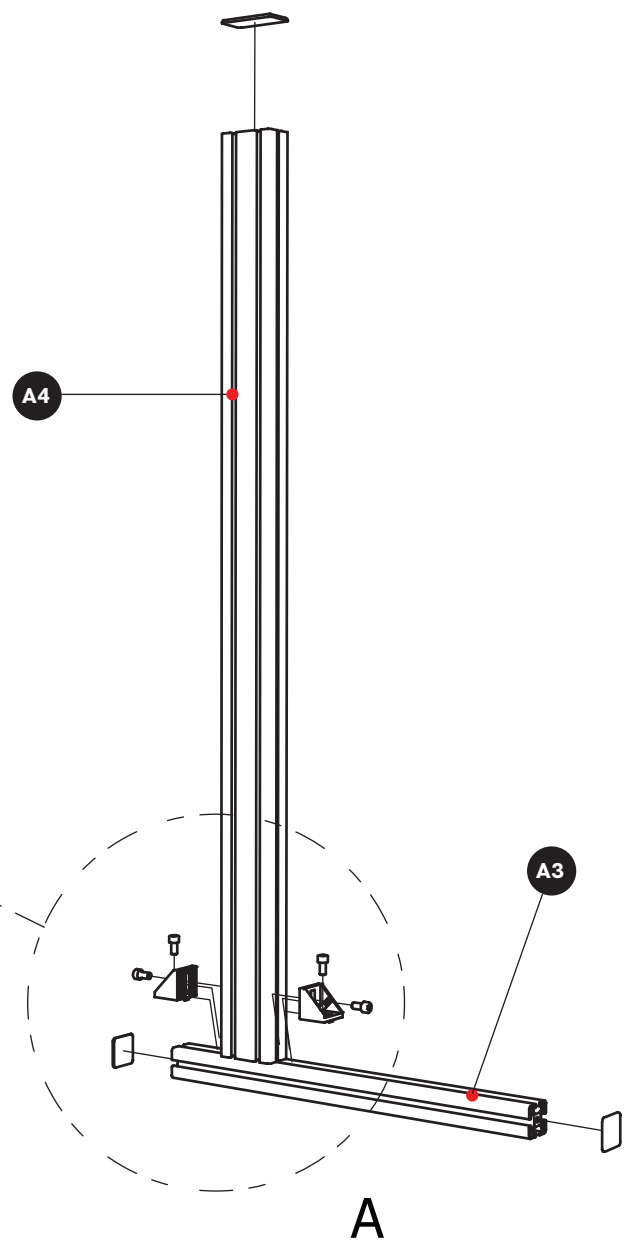
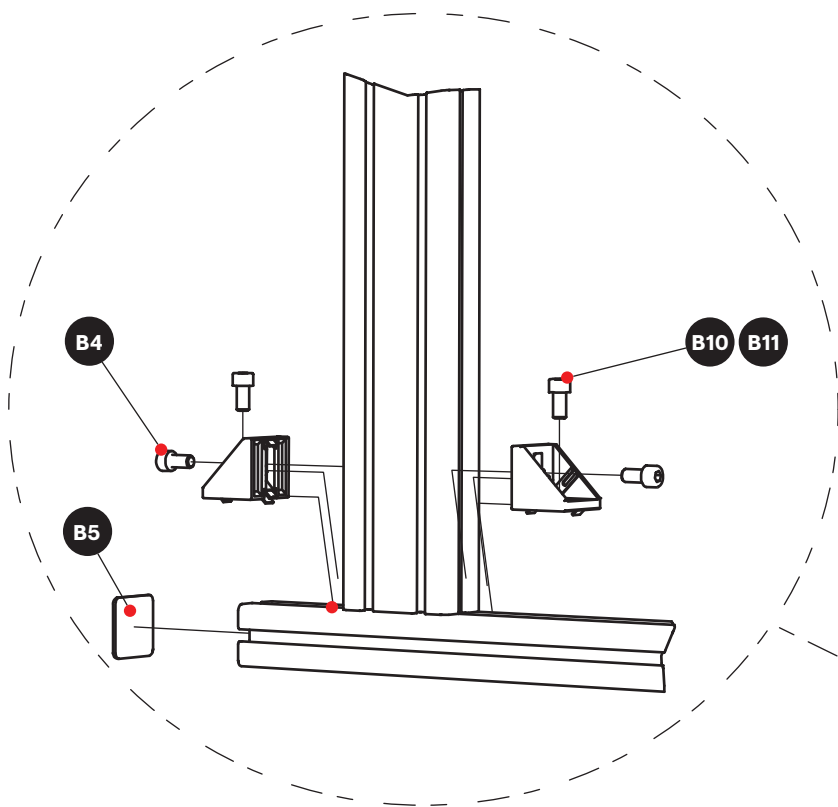
11 mm



STEP 1

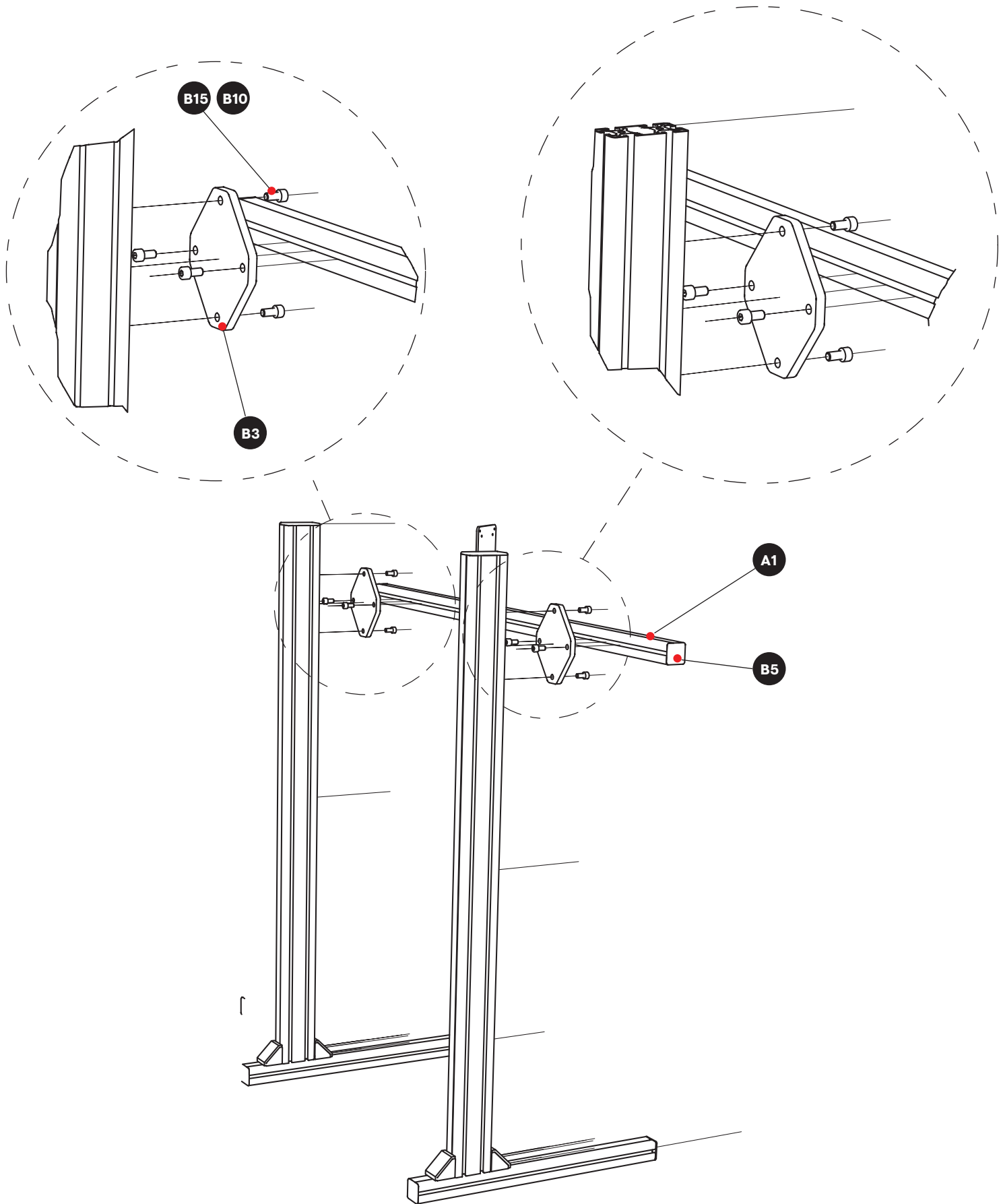
Attach upright to the feet

A (0,30 : 1)



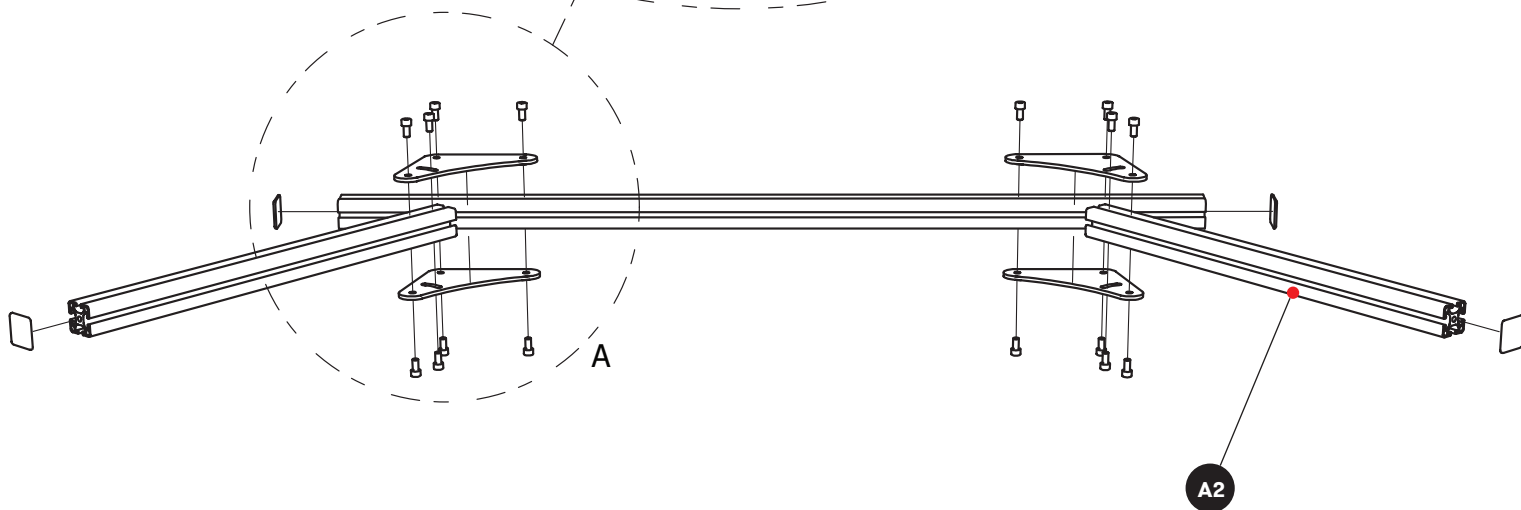
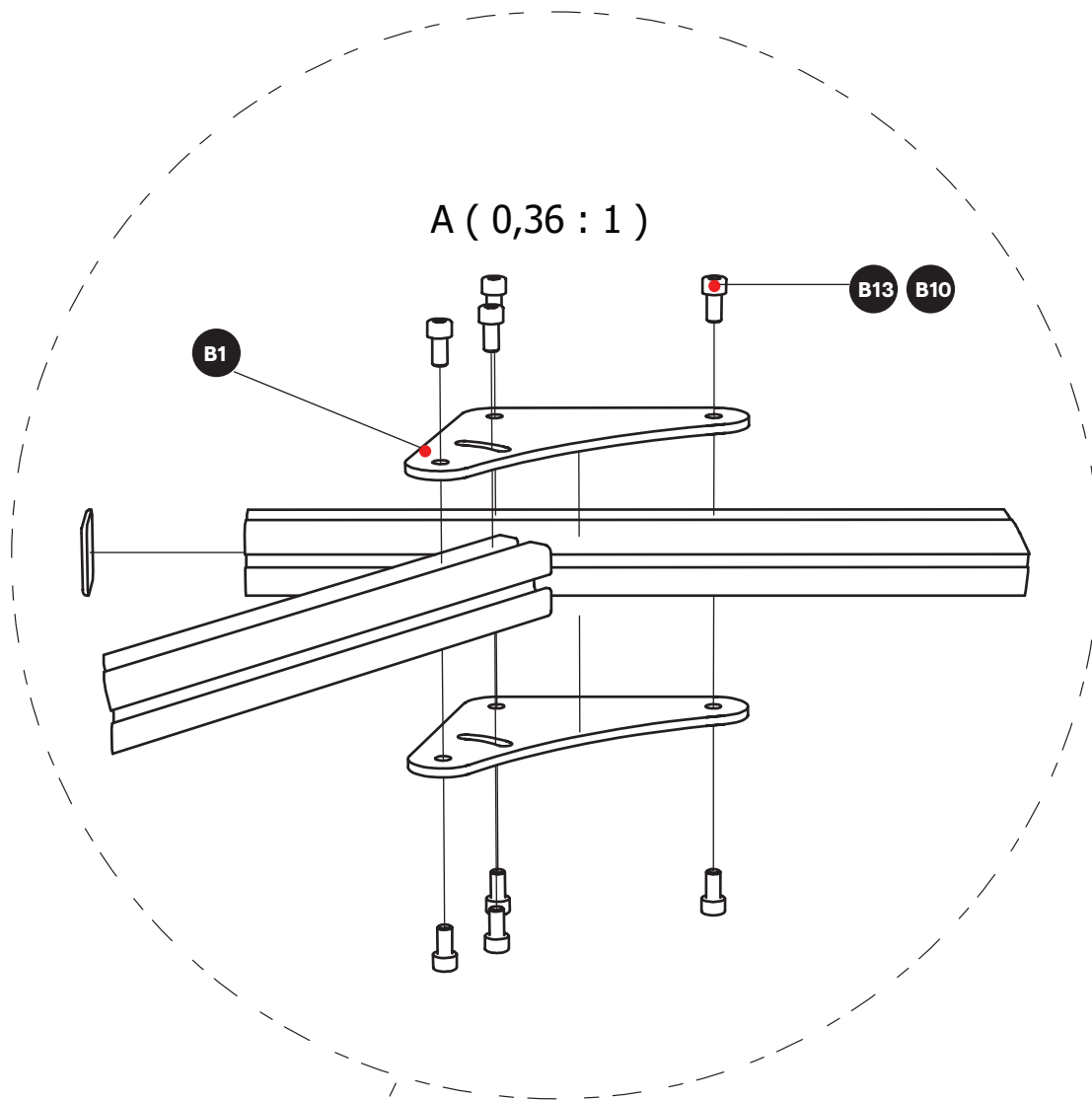
STEP

Triple monitor mount 75/100 - Attach the crossbar to uprights using the sandwich plates



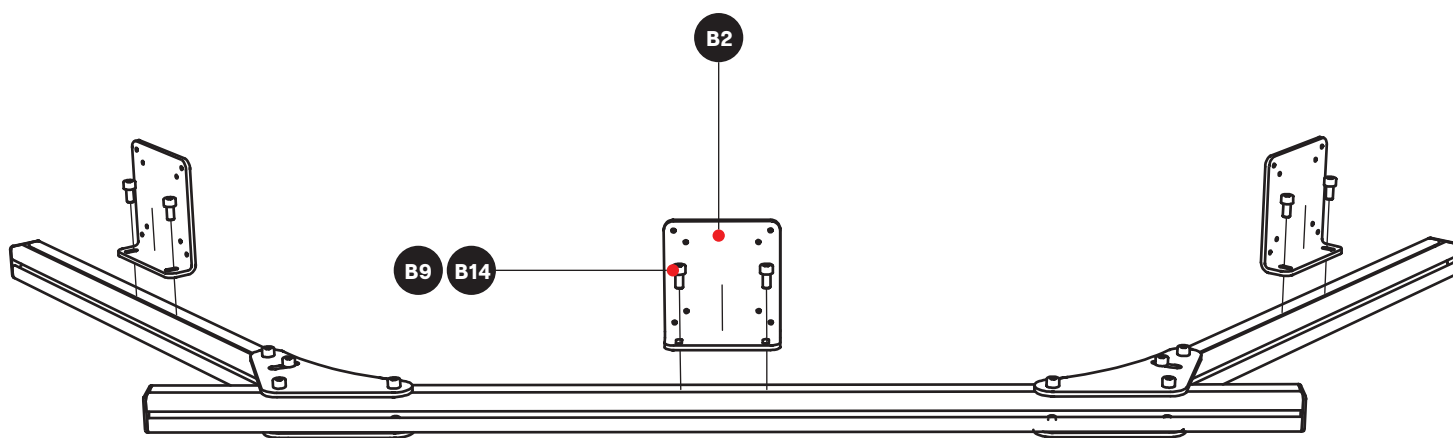
STEP 3

Triple monitor mount 75/100 - Mount pivot plates to the crossbar



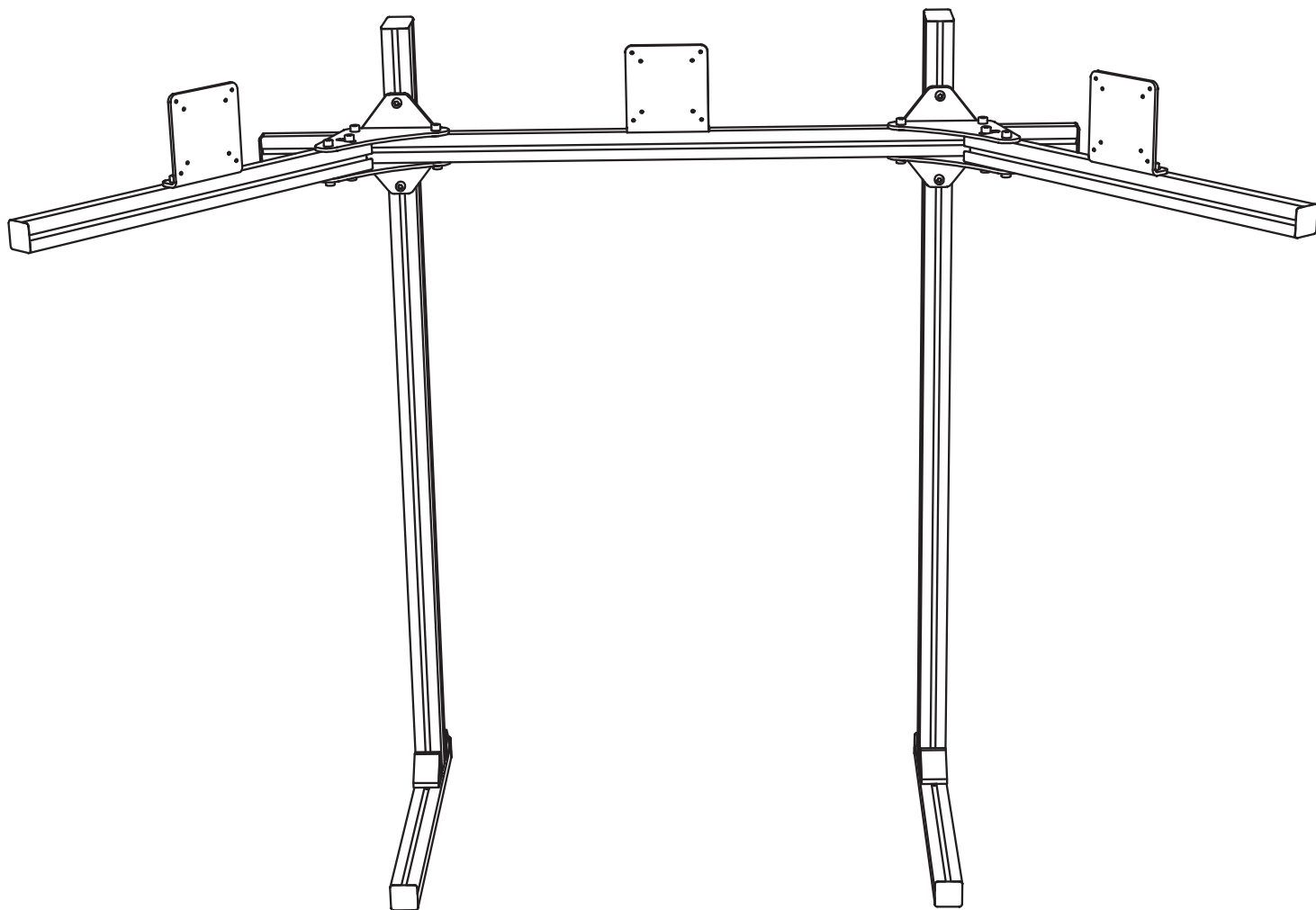
STEP 4

Triple monitor mount 75/100 - Mount VESA plate to the side arms and crossbar



STEP 5

Triple monitor mount 75/100 - Final product



Parts list - 75/100

Profile kit

Part No.	Part name	QTY	UoM	Note
A1	Profile 40mm slot 8 (Black, 40x40L) - 1200mm	1	Units	Crossbar
A2	Profile 40mm slot 8 (Black, 40x40L) - 500mm	2	Units	Side arms
A3	Profile 40mm slot 8 (Black, 40x40L) - 500mm	2	Units	Feet
A4	Profile 40mm slot 8 (Black, 40x80L) - 1200mm	2	Units	Uprights

Hardware kit

Part No.	Part name	QTY	UoM	Note
B1	Pivot plate, aluminium, 5mm, black	4	Units	
B2	VESA 75/100 bracket, aluminium, 5mm, black	3	Units	
B3	Triple sandwich plate 40	2	Units	
B4	Corner bracket 40x40 + Cover cap	4	Units	
B5	End cap profile (40x40L)	10	Units	
B6	End cap profile (40x80L)	2	Units	
B7	Rubber feet	4	Units	
B8	Spacer - male/female (10mm, M4)	12	Units	Spacers, if bolts VESA panel on monitor is inset
B9	Slot 8 nut (M6)	10	Units	
B10	Slot 8 nut (M8)	32	Units	
B11	Bolt - DIN 912 (Galvanised, 16mm, M8)	8	Units	
B12	Bolt - DIN 912 (Galvanised, 20mm, M6)	4	Units	
B13	Bolt - DIN 912 (Black steel, 16mm, M8)	16	Units	
B14	Bolt - DIN 912 (Black steel, 16mm, M6)	6	Units	
B15	Bolt - DIN 912 (Black steel, 20mm, M8)	8	Units	
B16	Phillips head screw - DIN 7985 (10mm)	12	Units	Monting monitor to the VESA plate
B17	Phillips head screw - DIN 7985 (16mm)	12	Units	Alternative lengths for monitor to VESA mounting