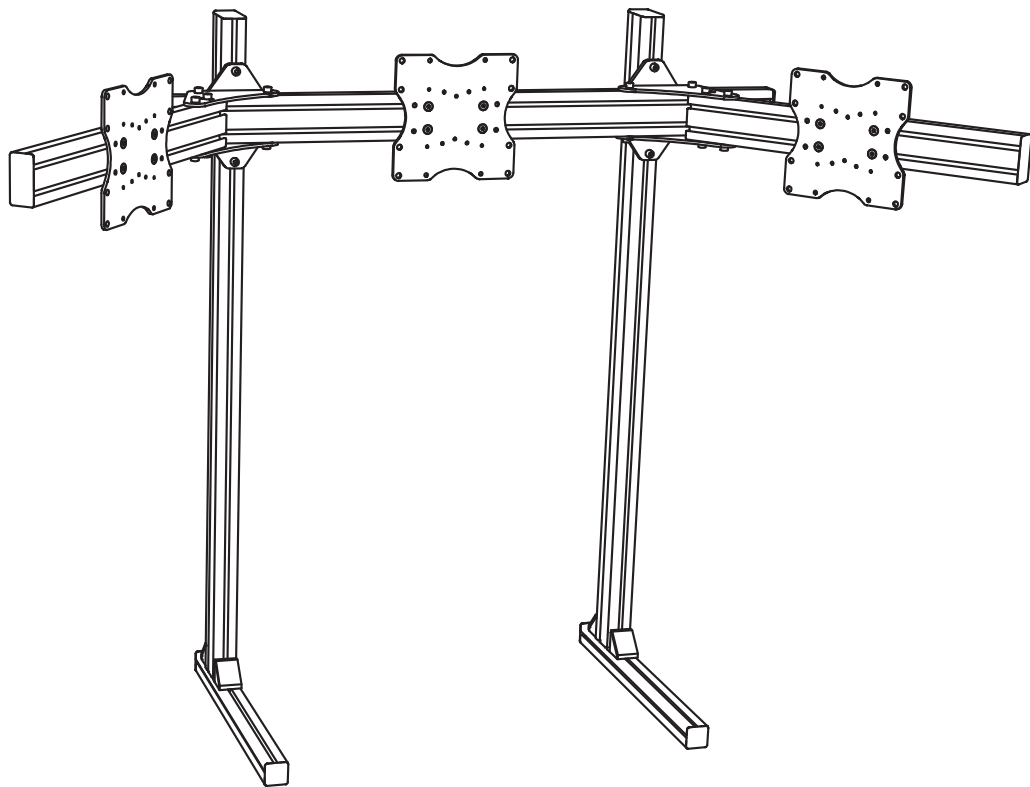


# Triple monitor mount 100/200

## INSTRUCTION MANUAL



SKU: **SLT014**

<https://sim-lab.eu/shop/product/triple-monitor-mount-19-42-vesa-675>

[info@sim-lab.eu](mailto:info@sim-lab.eu)



Required tools:



5/6 mm



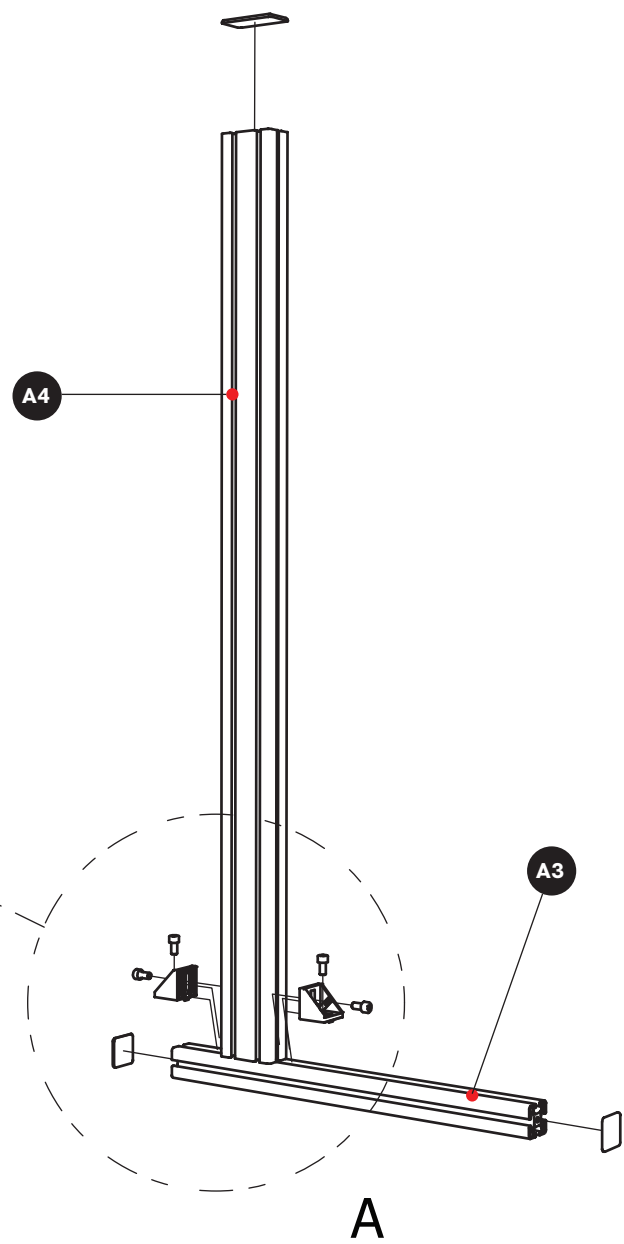
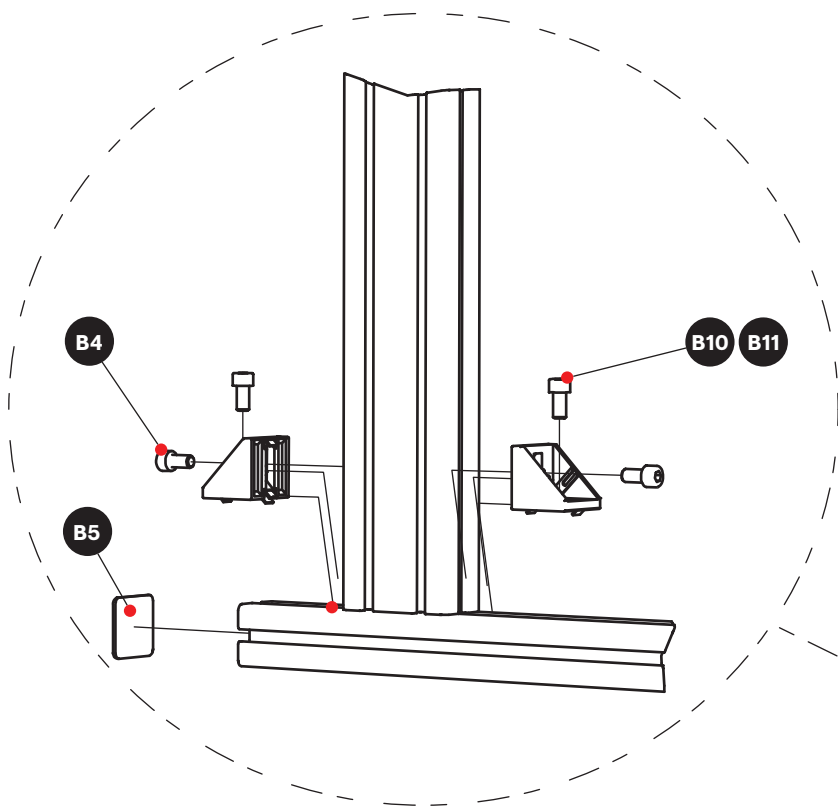
11 mm



# STEP 1

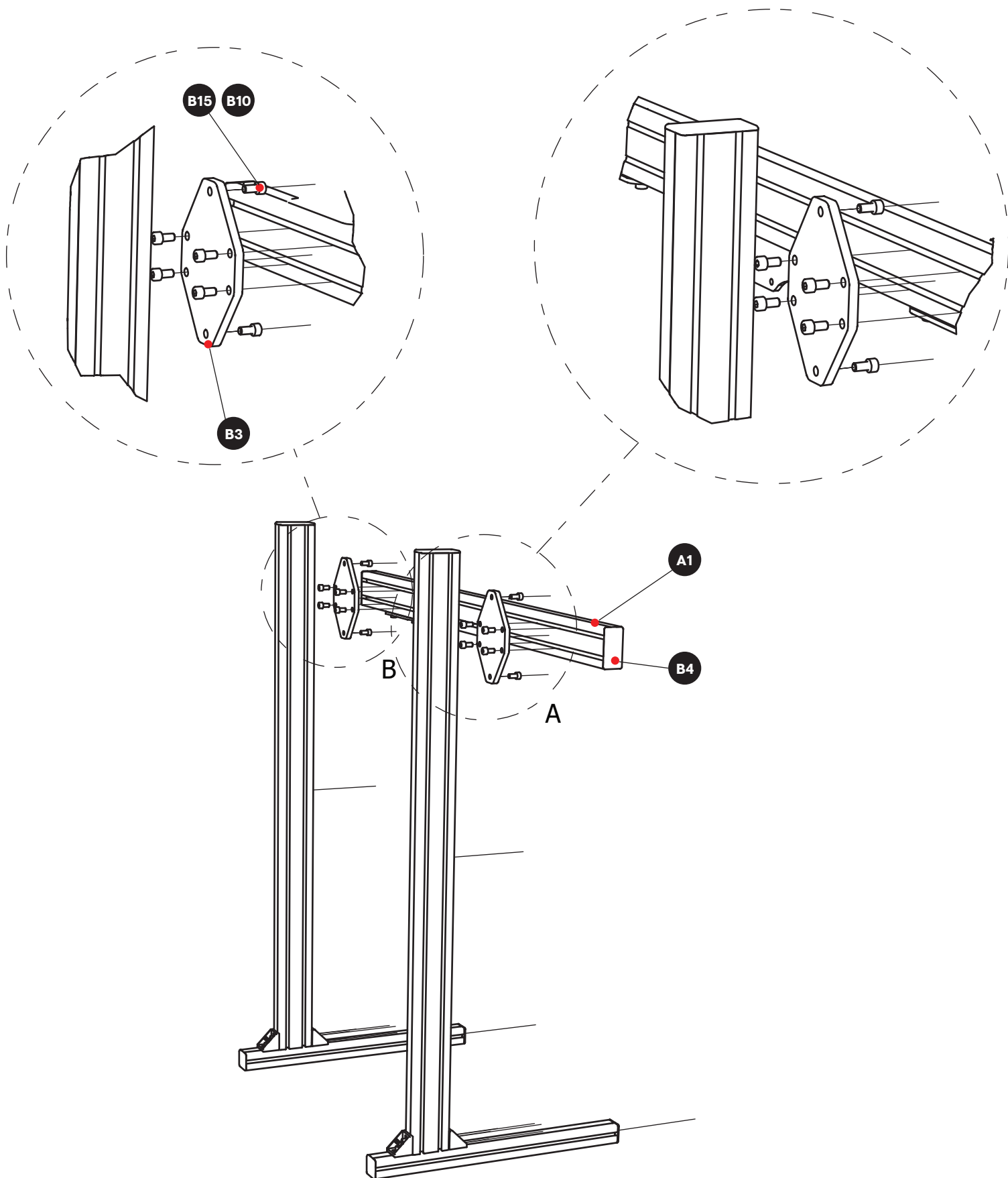
Attach upright to the feet

A ( 0,30 : 1 )



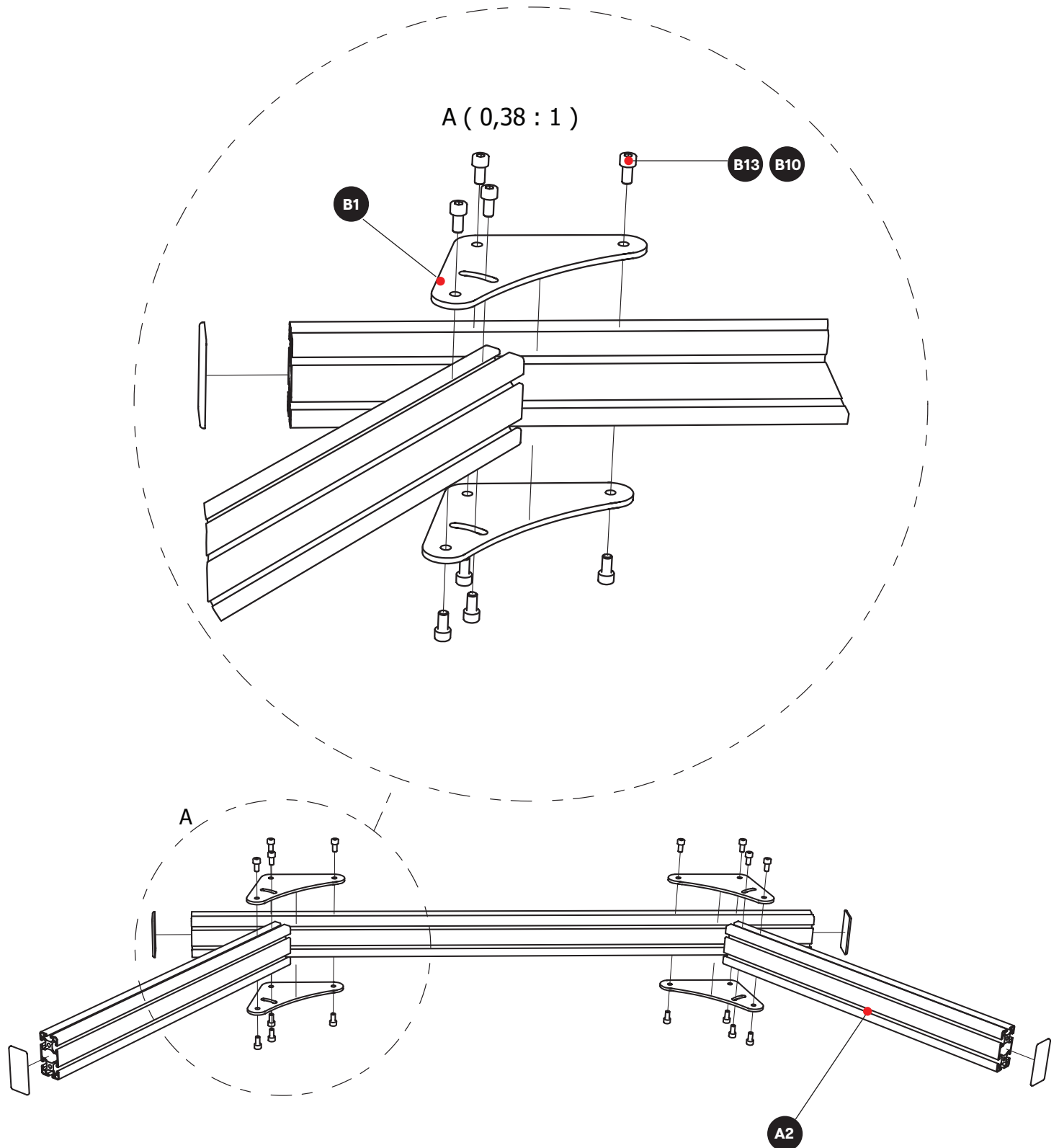
# STEP 2

Attach the crossbar to uprights using the sandwich plates



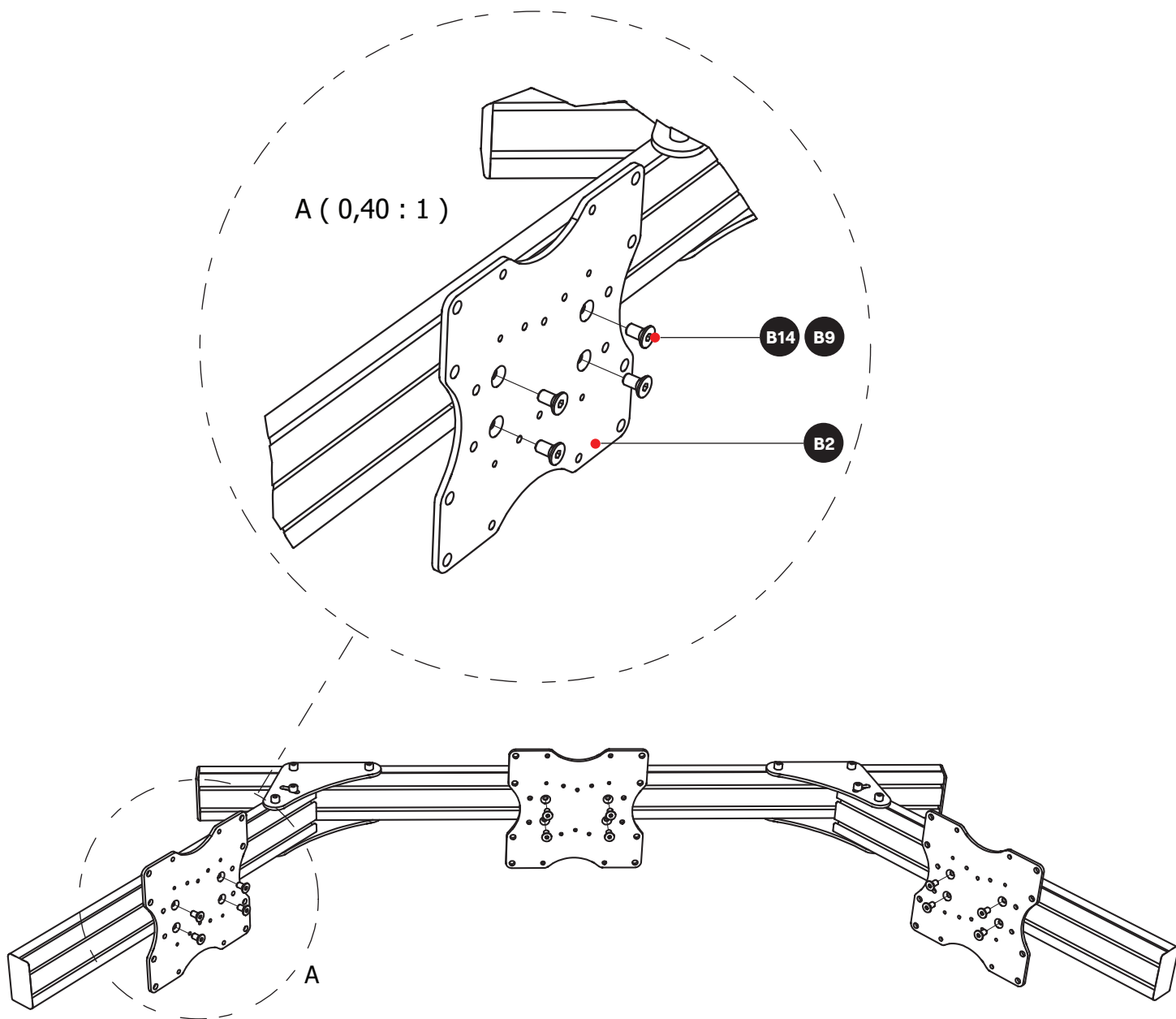
# STEP 3

Mount pivot plates to the crossbar



# STEP 4

Mount VESA plate to the side arms and crossbar



# Parts list - 100/200

Profile kit					
Part No.	Part name	QTY	UoM	Note	
A1	Profile 40mm slot 8 (Black, 40x80L) - 1200mm	1	Units	Crossbar	
A2	Profile 40mm slot 8 (Black, 40x80L) - 580mm	2	Units	Side arms	
A3	Profile 40mm slot 8 (Black, 40x80L) - 500mm	2	Units	Feet	
A4	Profile 40mm slot 8 (Black, 40x80L) - 1200mm	2	Units	Uprights	

Hardware kit					
Part No.	Part name	QTY	UoM	Note	
B1	Pivot plate, aluminium, 5mm, black	4	Units		
B2	VESA 200 adapter	3	Units		
B3	Triple sandwich plate 80	2	Units		
B4	Corner bracket 40x40 + Cover cap	4	Units		
B5	End cap profile (40x40L)	8	Units		
B6	End cap profile (40x80L)	4	Units		
B7	Rubber feet	4	Units		
B8	Spacer - male/female (10mm, M4)	12	Units	Spacers, if bolts VESA panel on monitor is inset	
B9	Slot 8 nut (M6)	16	Units		
B10	Slot 8 nut (M8)	36	Units		
B11	Bolt - DIN 912 (Galvanised, 16mm, M8)	8	Units		
B12	Bolt - DIN 912 (Galvanised, 20mm, M6)	4	Units		
B13	Bolt - DIN 912 (Black steel, 16mm, M8)	16	Units		
B14	Bolt - DIN 7991 (Black steel, 12mm, M6)	12	Units		
B15	Bolt - DIN 912 (Black steel, 20mm, M8)	12	Units		
B16	Phillips head screw - DIN 7985 (10mm)	12	Units	Monting monitor to the VESA plate	
B17	Phillips head screw - DIN 7985 (16mm)	12	Units	Alternative lengths for monitor to VESA mounting	

# STEP 5

Final product

