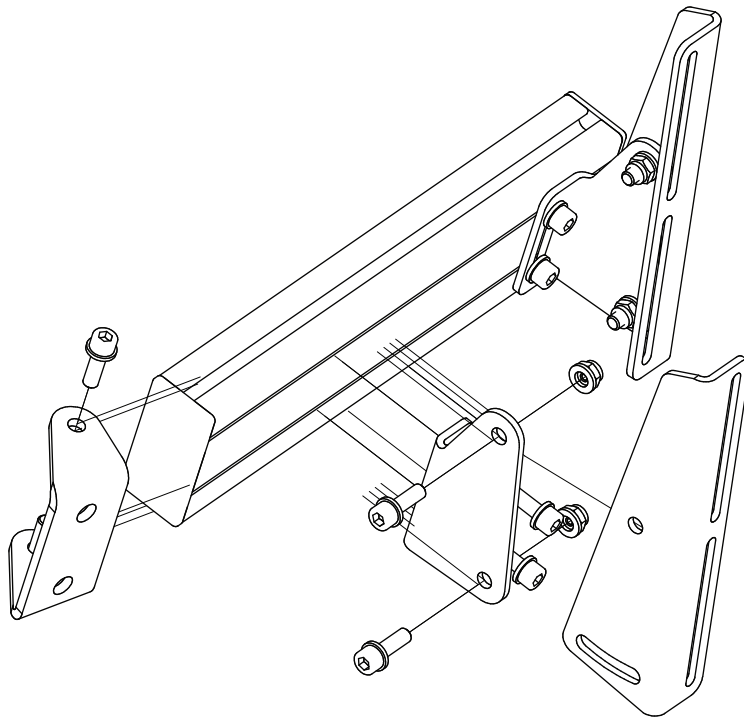


Button box holder

INSTRUCTION MANUAL



SKU: **SLA007**

<https://sim-lab.eu/shop/product/button-box-holder-412>

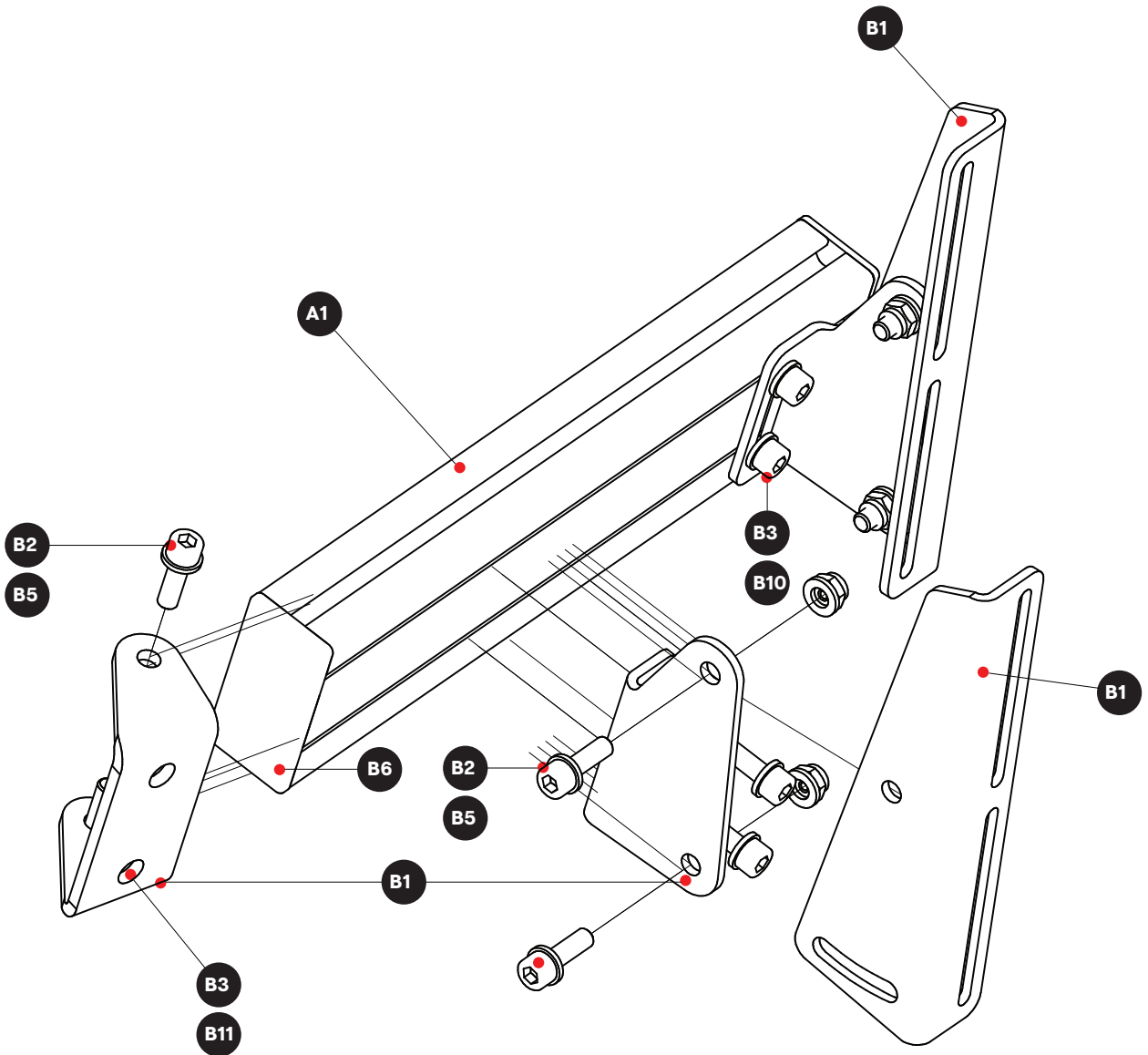
info@sim-lab.eu



Required tools:



5/6 mm



Parts list

Profile kit

Part No.	Part name	QTY	UoM	Note
A1	Profile 40mm slot 8 (Black, 30x60L) - 350mm	1	Units	

Hardware kit

Part No.	Part name	QTY	UoM	Note
B1	Button box plates set (LEFT + RIGHT)	1	Units	
B2	Bolt - DIN 912 (Black steel, 16mm, M6)	6	Units	
B3	Bolt - DIN 912 (Black steel, 16mm, M8)	2	Units	Mounts the assembly to the rig
B3	Bolt - DIN 912 (Black steel, 12mm, M6)	4	Units	
B4	Parker screw (Gray, 4.2x16mm)	4	Units	Used to mount button box to the holder
B5	Locknut - DIN 985 (Galvanised, M6)	6	Units	
B6	End cap 30x60	2	Units	
B7	Washer - DIN 125 - M6	18	Units	
B8	Washer - DIN 125 - M8	2	Units	
B9	Washer - (Polyester, M8, White)	2	Units	
B10	Slot 6 nut (M6)	10	Units	
B11	Slot 8 nut (M8)	2	Units	