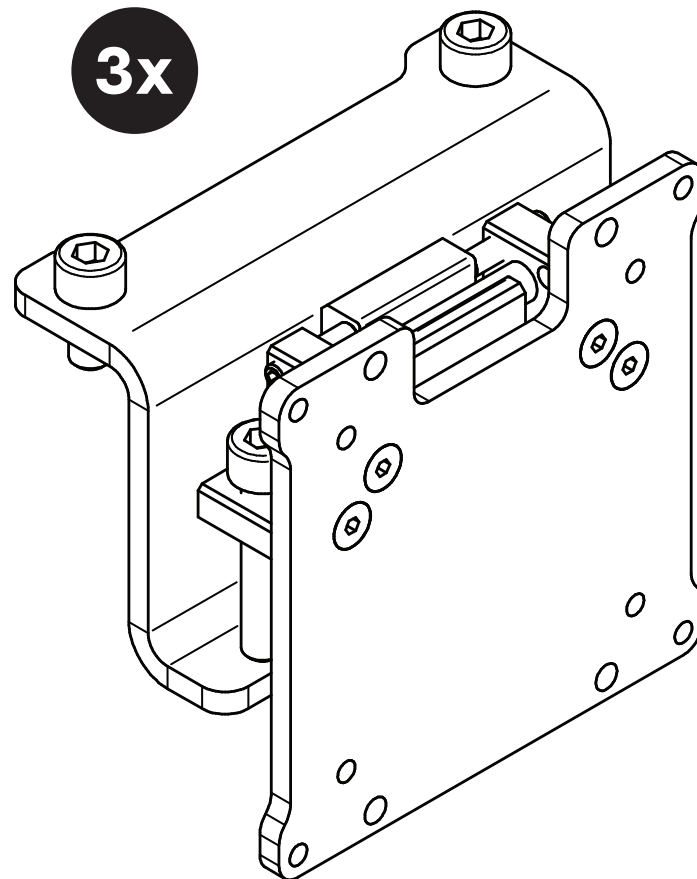


Vario Vesa Adapter kit

INSTRUCTION MANUAL



SKU: **SLA078** **SLA079** **SLA080**

<https://sim-lab.eu/shop/product/vario-vesa-adapter-kit-3-pieces-1143>

info@sim-lab.eu



Required tools:

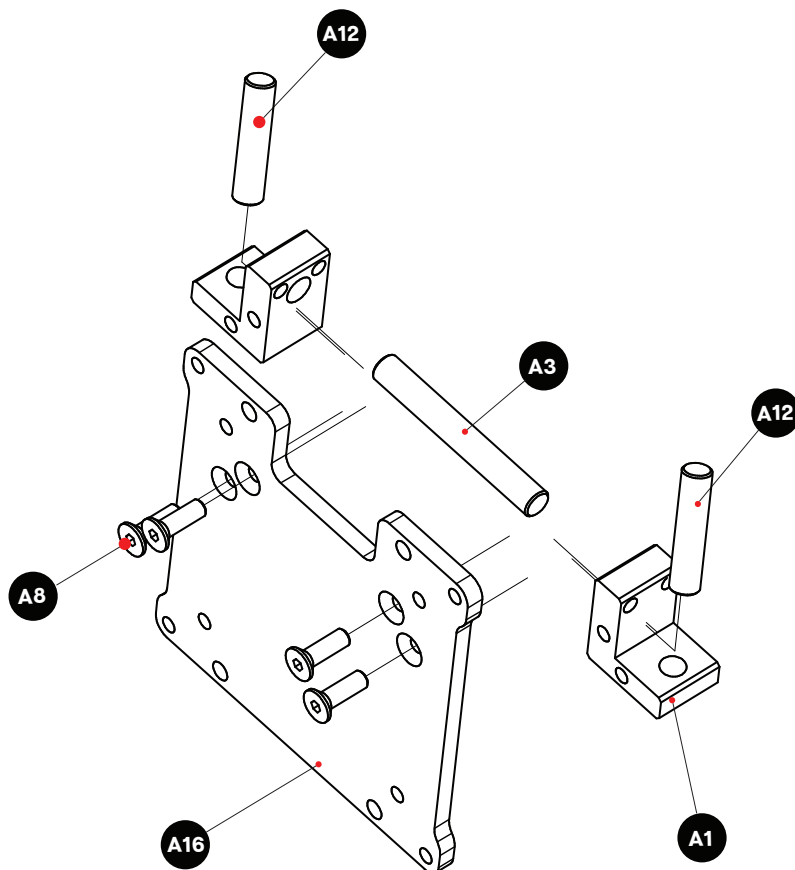


2.5/4/5/6 mm

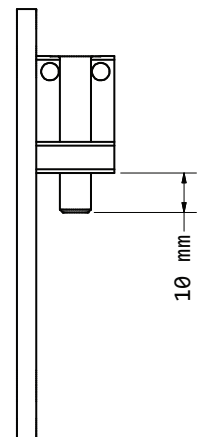


STEP 1

Assembly of the Vesa adapter

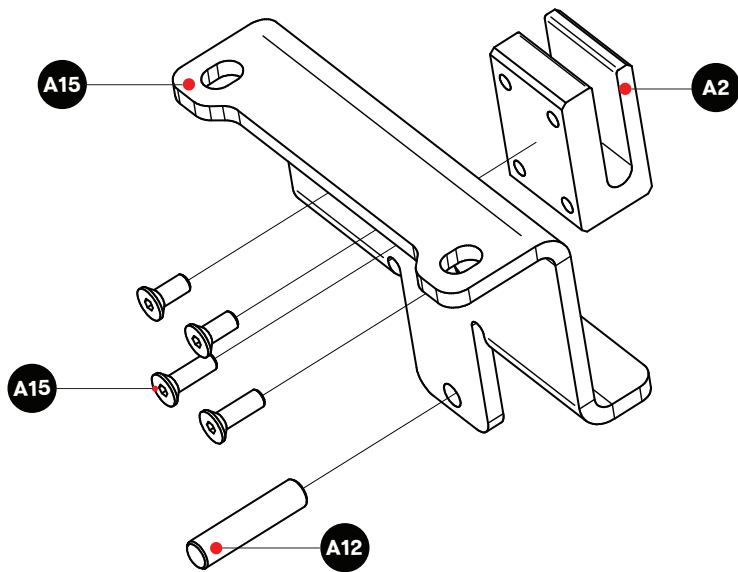


*Base value of the set screws

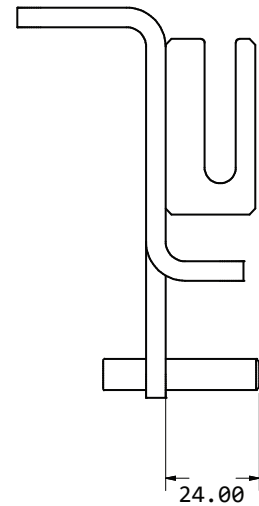


STEP 2

Assembly of the Vesa holder

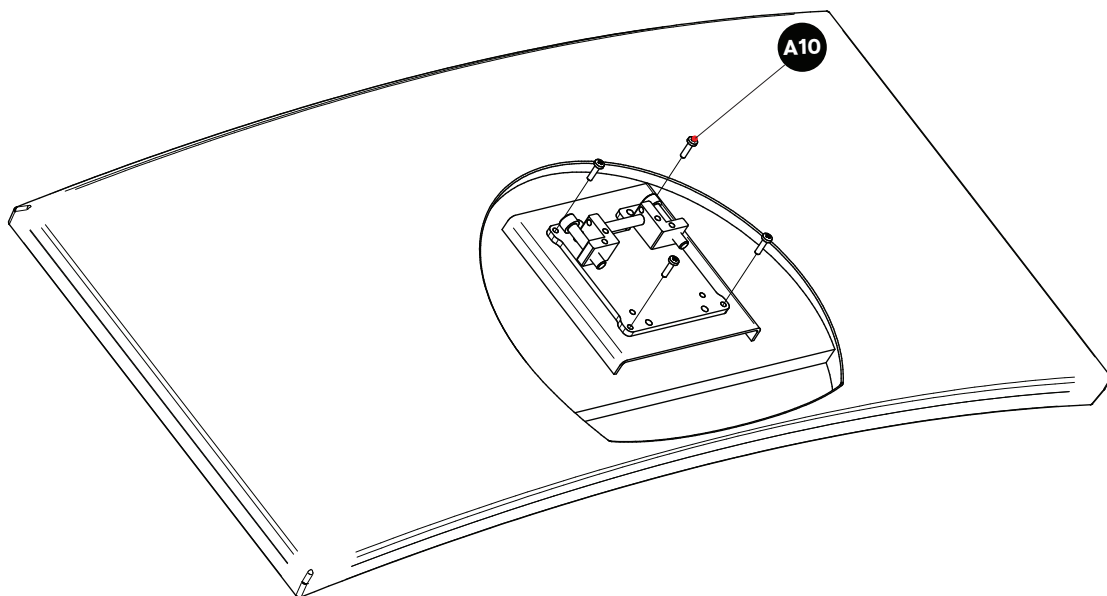


*Base value of the set screws



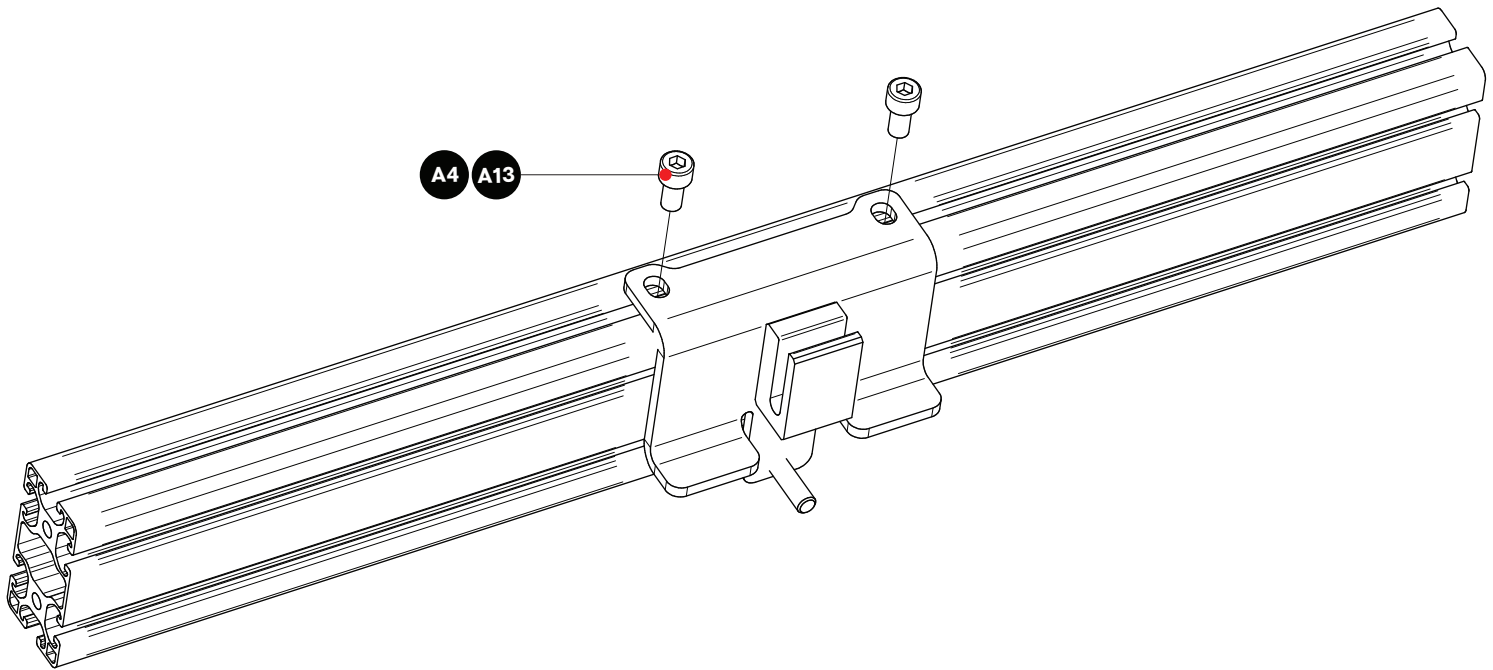
STEP 3

Attaching the Vesa adapter to the monitor



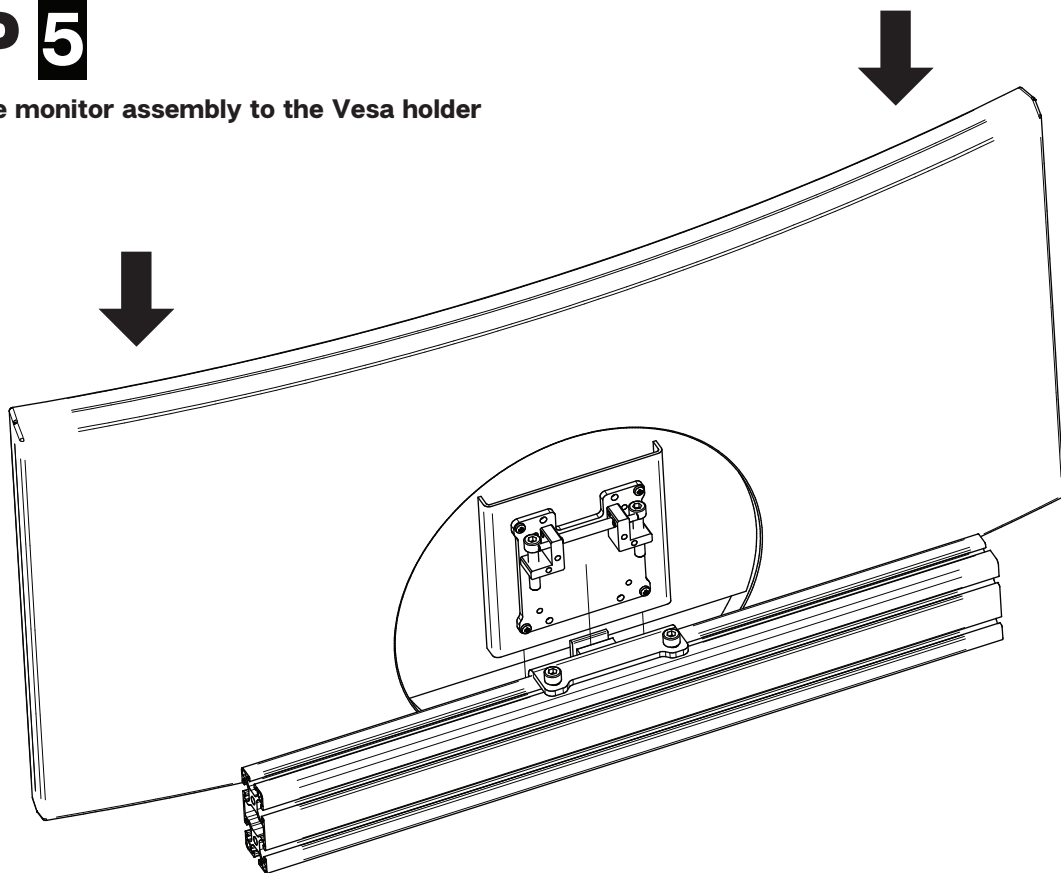
STEP 4

Attaching the Vesa holder to the crossbar/sidearm



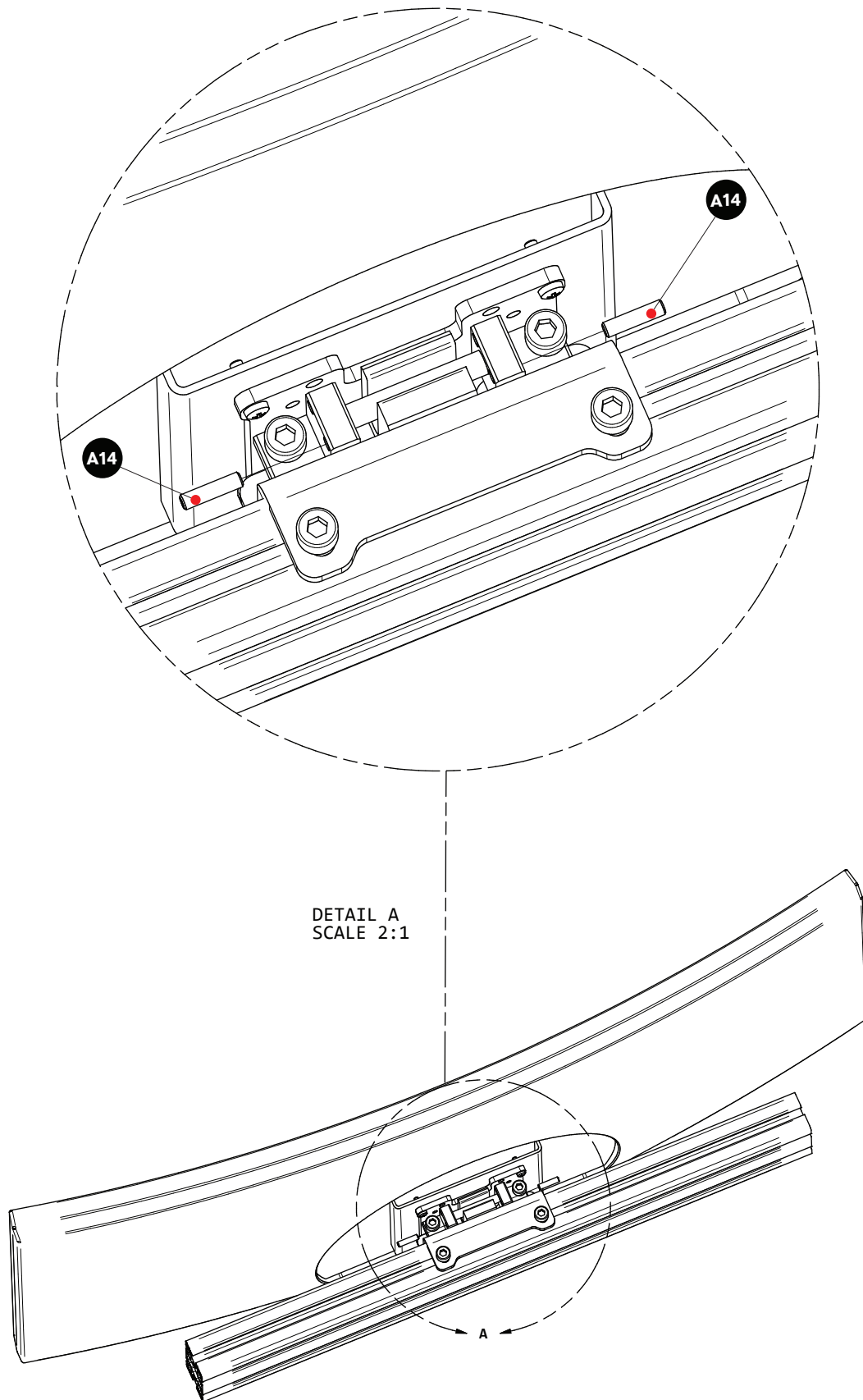
STEP 5

Attaching the monitor assembly to the Vesa holder



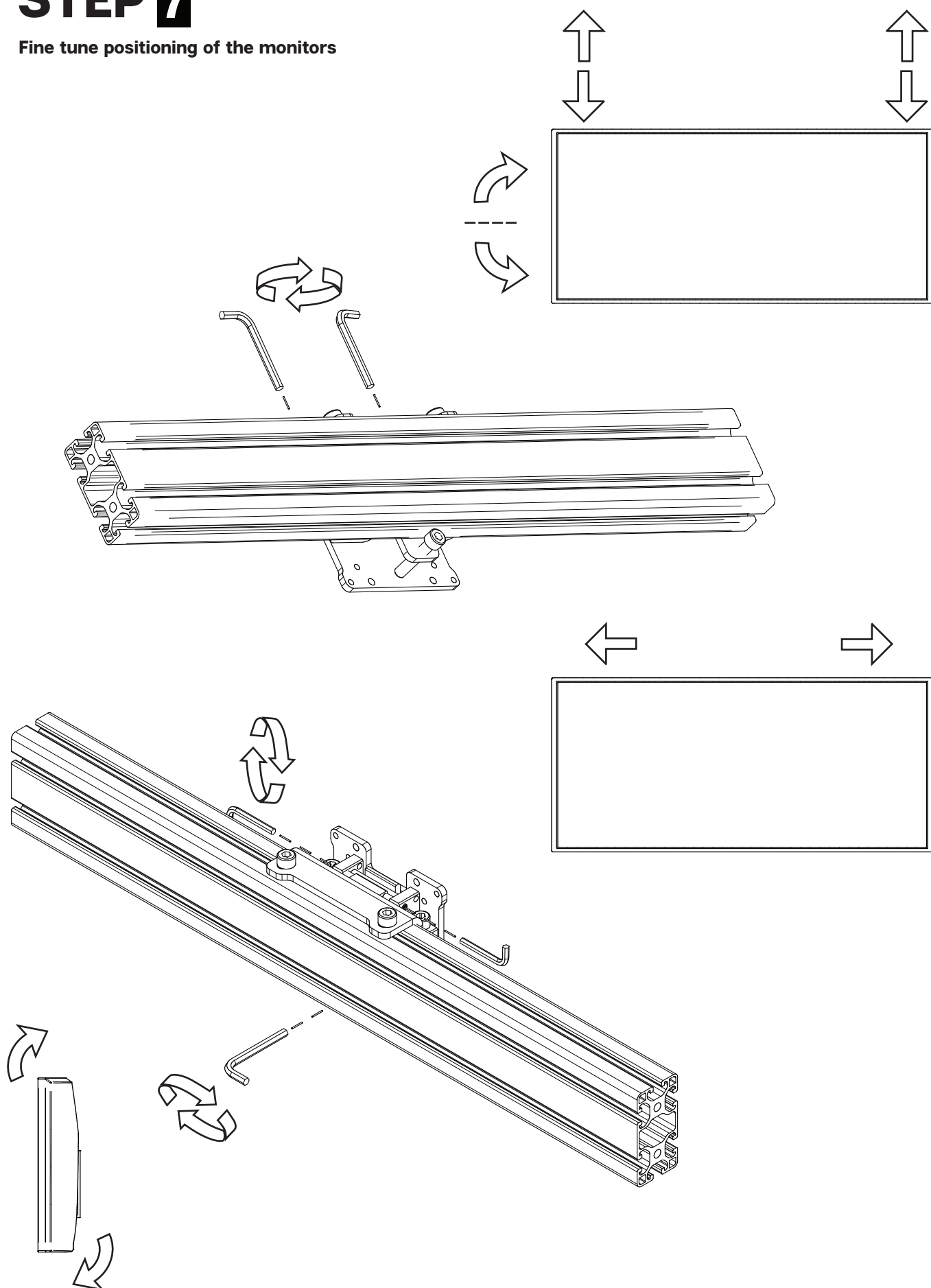
STEP 6

Adding the set-screws to fixate the monitor and to fine tune if needed

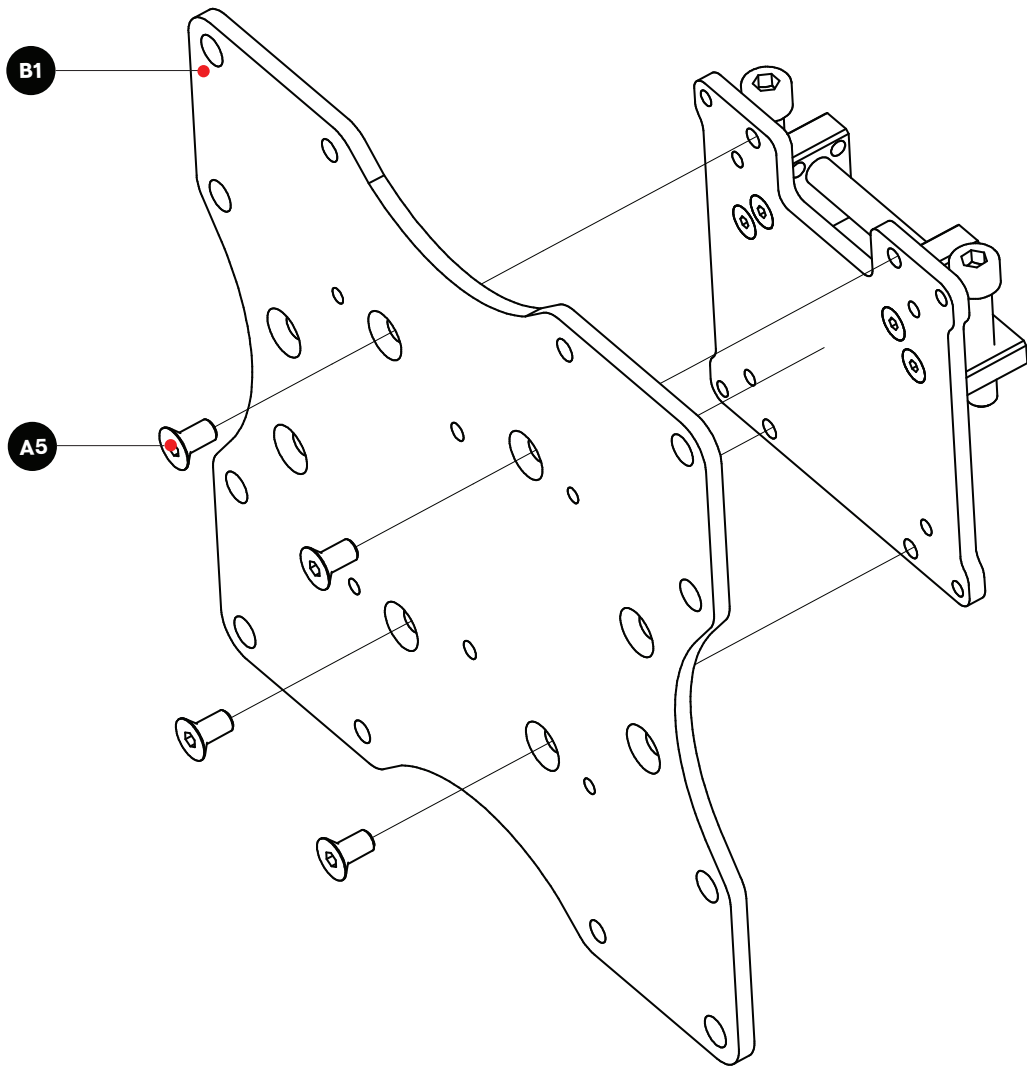


STEP 7

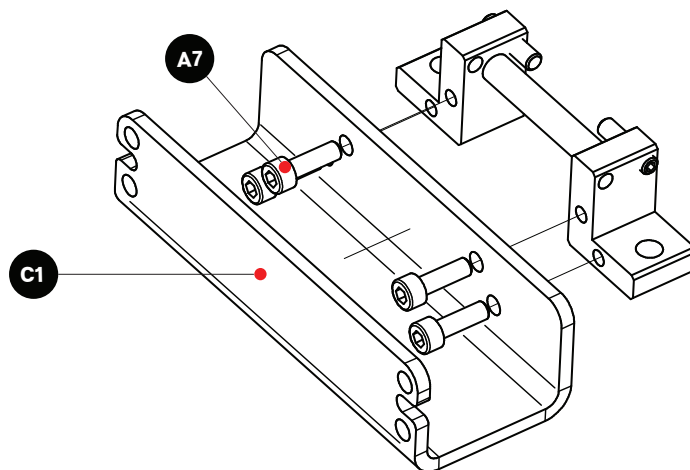
Fine tune positioning of the monitors



VESA 200 mounting



BenQ adapter mounting



Parts list

Hardware kit				
	Part name	Qty	UoM	Note
A1	VESA Vario pin holder	6	Units	
A2	VESA Vario guide block 1.95	3	Units	
A3	VESA Vario pin 8 mm (Stainless Steel)	3	Units	
A4	Bolt – DIN 912 (Black steel, 16mm, M8)	6	Units	Mounts whole plate to monitor crossbar/sidearm
A5	Bolt - DIN 7991 (Black steel, 12mm, M6)	12	Units	Connect VESA 200 to VESA plate
A6	Bolt - DIN 912 (Black steel, 16mm, M6)	12	Units	Spare screws for VESA 200
A7	Bolt - DIN 912 (Black steel, 16mm, M5)	12	Units	BenQ adapter bolts
A8	Bolt - DIN 7991 (Black steel, 25mm, M5)	12	Units	Connect Vario pin holder to VESA Plate
A9	Bolt - DIN 7991 (Black steel, 10mm, M5)	12	Units	Spare bolts
A10	Phillips head screw - DIN 7985 (16mm)	12	Units	Connect monitor to VESA plate
A11	Phillips head screw - DIN 7985 (10mm)	12	Units	Connect monitor to VESA plate (spare)
A12	Set Screw - DIN 916 (M8, 40mm)	9	Units	Set screws to adjust horizontal placing
A13	Slot 8 nut (M8)	6	Units	Mounts whole plate to monitor crossbar/sidearm
A14	Set Screw - DIN 916 (M5, 20mm)	6	Units	Set screws to adjust tilt
A15	VESA holder	3	Units	
A16	VESA plate	3	Units	
VESA 200				
B1	VESA 200 plate	3	Units	
BenQ				
C1	BenQ adapter bracket	3	Units	