

Keyboard tray

INSTRUCTION MANUAL



SKU: **SLA038**

<https://sim-lab.eu/shop/product/sla038-keyboard-tray-522>

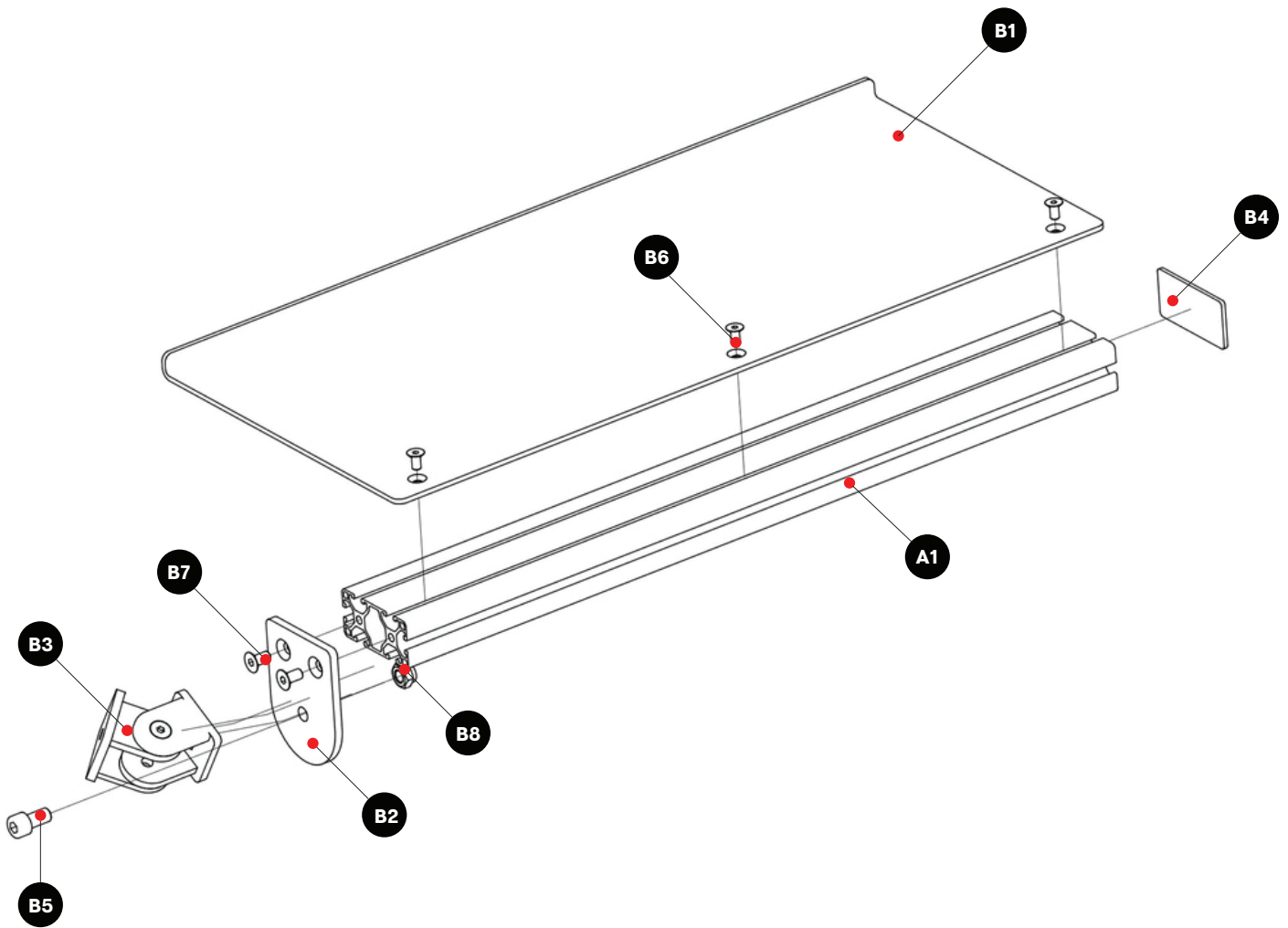
info@sim-lab.eu



Required tools:



5/6 mm



Parts list

Profile kit

Part No.	Part name	QTY	UoM	Note
A1	Profile 30mm slot 6 (Black, 30x60L) - 500mm, threaded	1	Units	Threaded end of profile is used to mount B2, side plate. B4, end cap (30x60L), is placed on unthreaded end.

Hardware kit

Part No.	Part name	QTY	UoM	Note
B1	Keyboard tray plate (Black)	1	Units	
B2	Keyboard tray side plate (Alu 5 mm)	1	Units	
B3	Joint 40	1	Units	
B4	End cap (30x60L)	1	Units	
B5	Bolt - DIN 912 (Galvanised, 16mm, M8)	2	Units	
B6	Bolt - DIN 7991 (Black steel, 10mm, M5)	3	Units	
B7	Bolt - DIN 7991 (Black steel, 12mm, M6)	2	Units	
B8	Nut (M8, DIN 985 locknut, Galvanised)	1	Units	
B9	Slot 6 nut (M5)	3	Units	
B10	Slot 8 nut (M8)	1	Units	Used for mounting whole keyboard tray setup to the rig