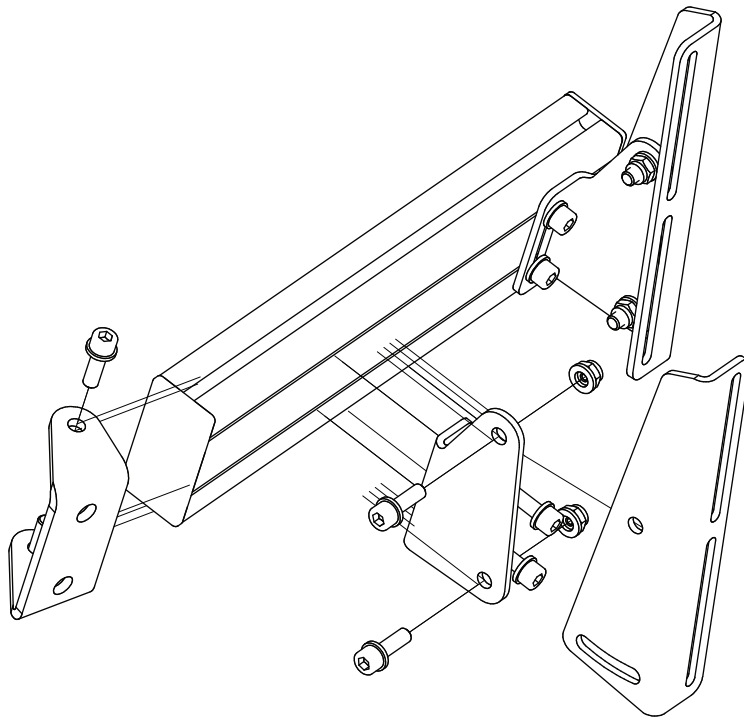


# Button box holder

## INSTRUCTION MANUAL



SKU: **SLA007**

<https://sim-lab.eu/shop/product/button-box-holder-412>

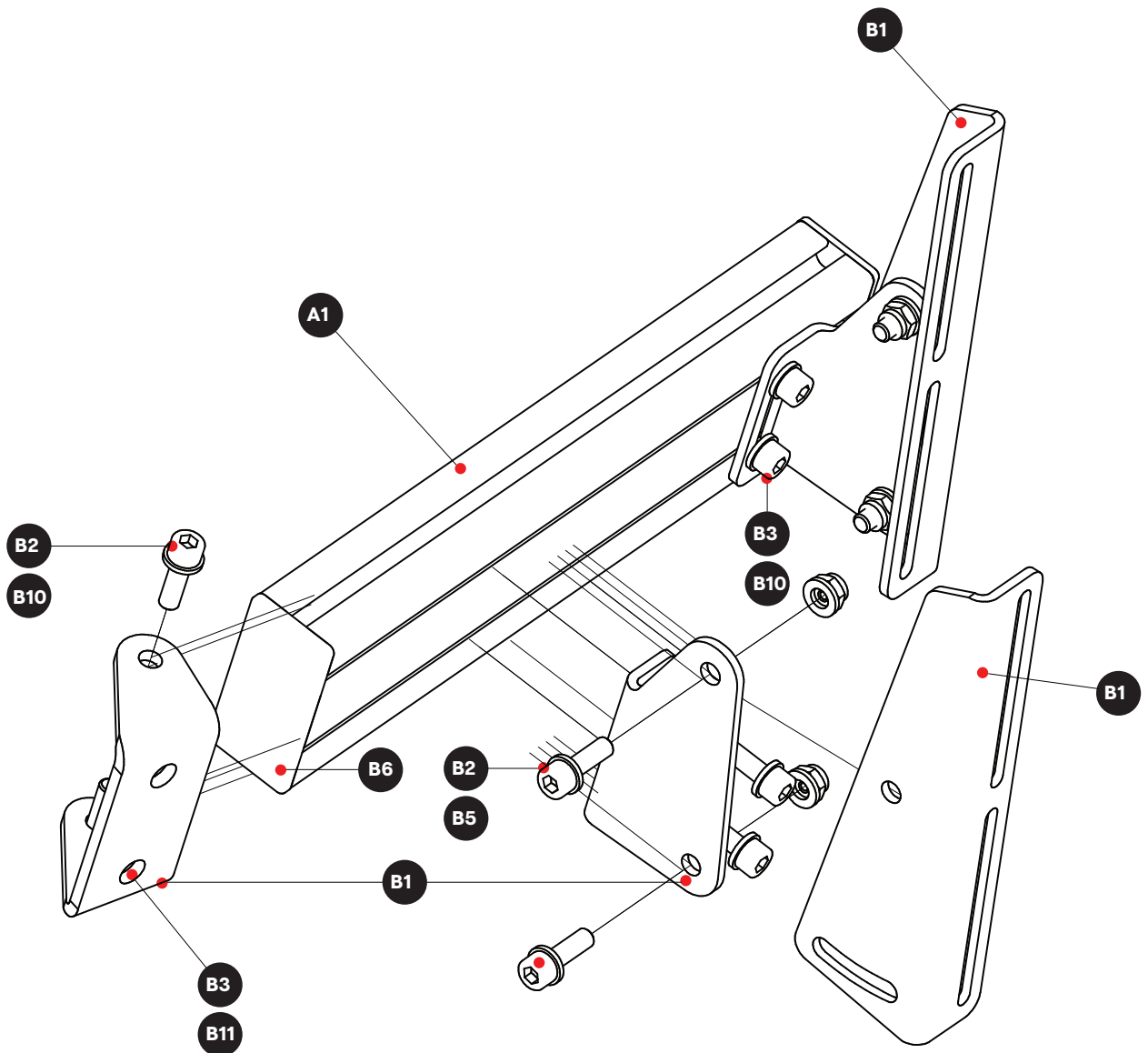
[info@sim-lab.eu](mailto:info@sim-lab.eu)



Required tools:



5/6 mm



# Parts list

| Profile kit |   |     |       |      |
|-------------|---|-----|-------|------|
| Part No.    | Part name                                   | QTY | UoM   | Note |
| A1          | Profile 40mm slot 8 (Black, 30x60L) - 350mm | 1   | Units |      |

| Hardware kit |  |     |       |  |
|--------------|--|-----|-------|--|
| Part No.     | Part name                              | QTY | UoM   | Note                                   |
| B1           | Button box plates set (LEFT + RIGHT)   | 1   | Units |  |
| B2           | Bolt - DIN 912 (Black steel, 16mm, M6) | 6   | Units |  |
| B3           | Bolt - DIN 912 (Black steel, 16mm, M8) | 2   | Units | Mounts the assembly to the rig         |
| B3           | Bolt - DIN 912 (Black steel, 12mm, M6) | 4   | Units |  |
| B4           | Parker screw (Gray, 4.2x16mm)          | 4   | Units | Used to mount button box to the holder |
| B5           | Nut - DIN 985 (Galvanised, M6)         | 4   | Units |  |
| B6           | End cap 30x60                          | 2   | Units |  |
| B7           | Washer - DIN 125 - M6                  | 18  | Units |  |
| B8           | Washer - DIN 125 - M8                  | 2   | Units |  |
| B9           | Washer - (Polyester, M8, White)        | 2   | Units |  |
| B10          | Slot 6 nut (M6)                        | 10  | Units |  |
| B11          | Slot 8 nut (M8)                        | 2   | Units |  |