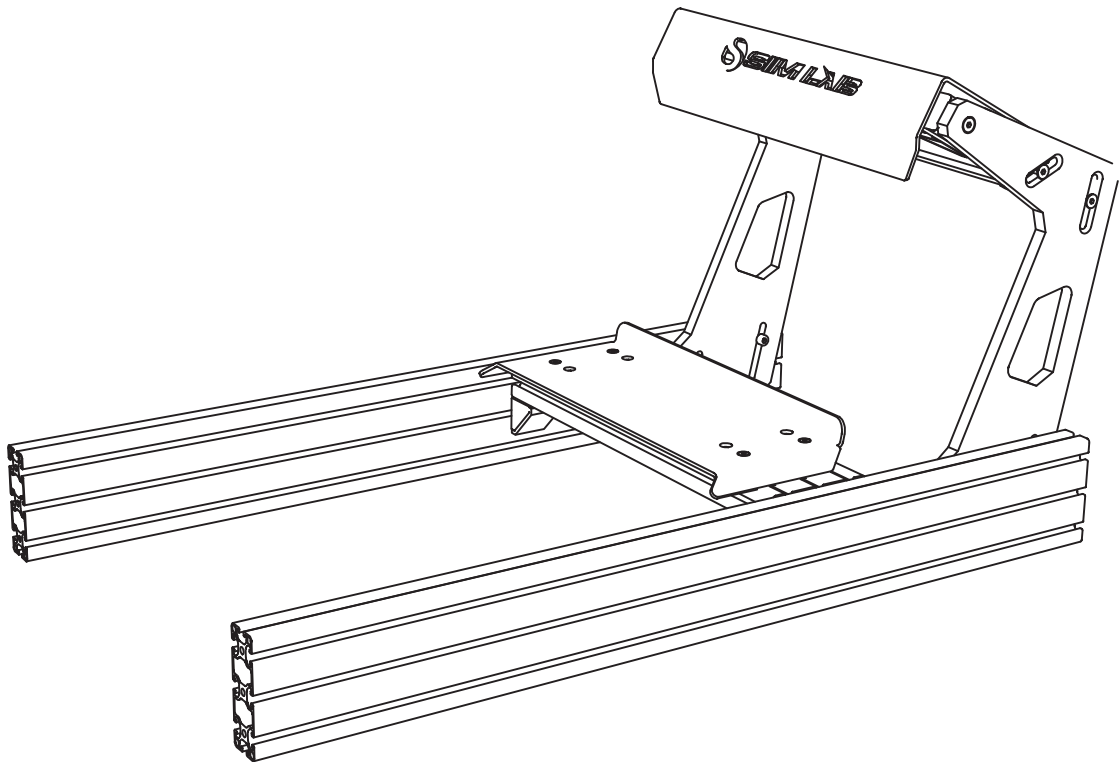


Inverted pedal rack

INSTRUCTION MANUAL



SKU: **SLA089**

<https://sim-lab.eu/shop/product/sla089-inverted-pedal-rack-1333>

info@sim-lab.eu



Required tools:

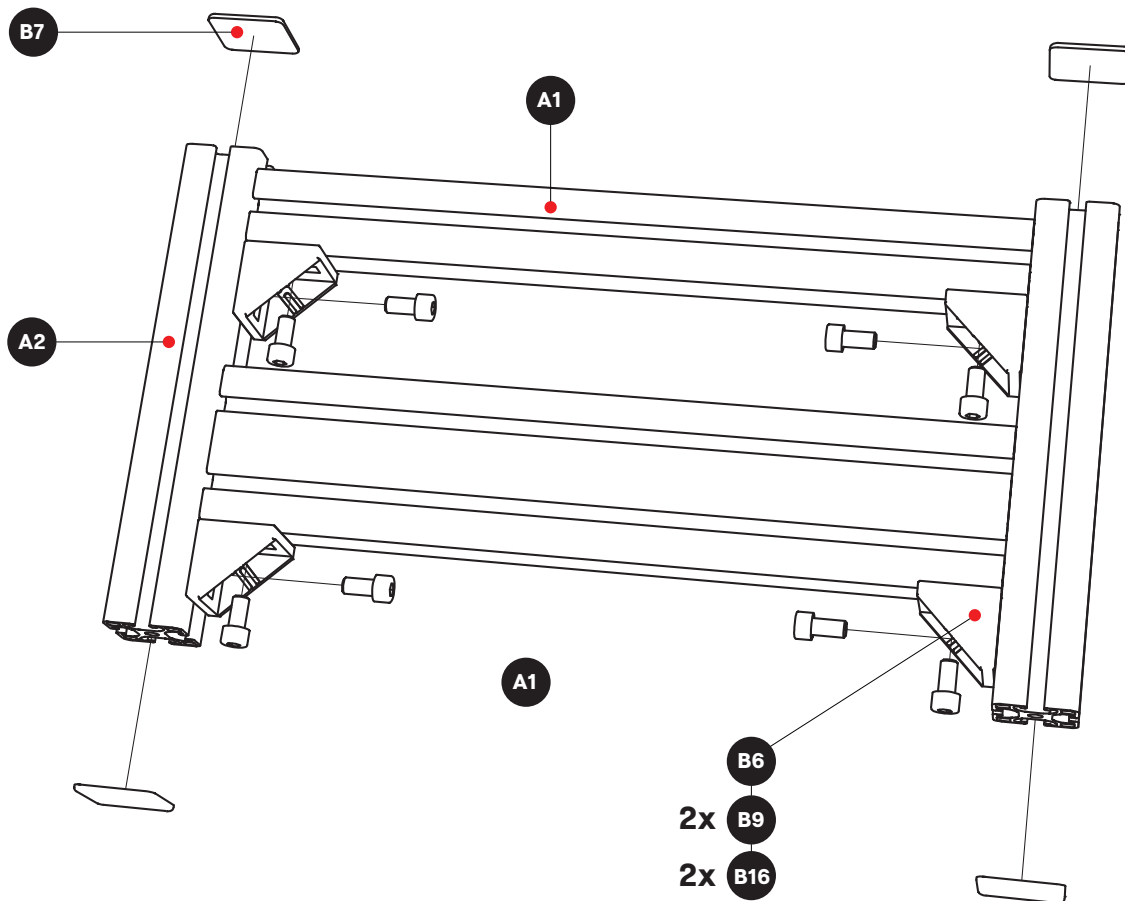


5/6 mm



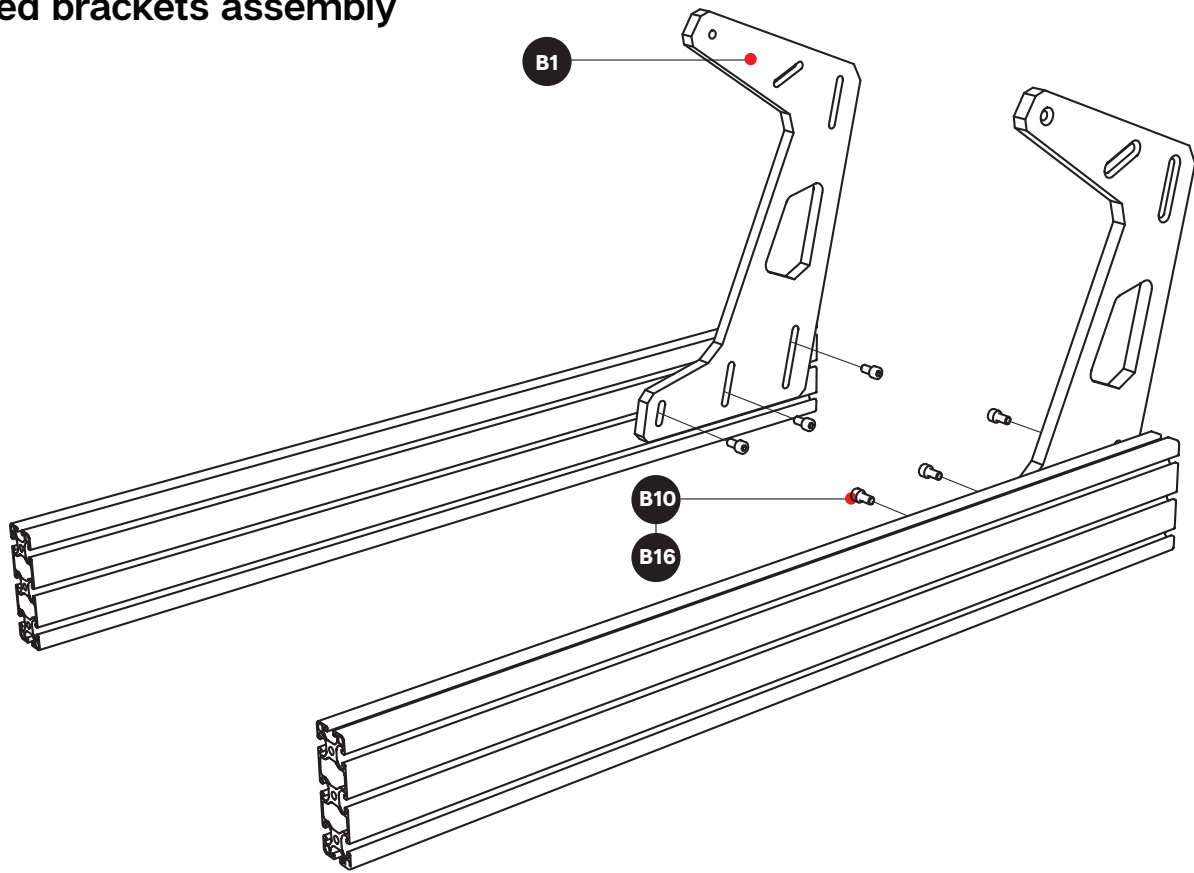
STEP 1

Inner frame assembly



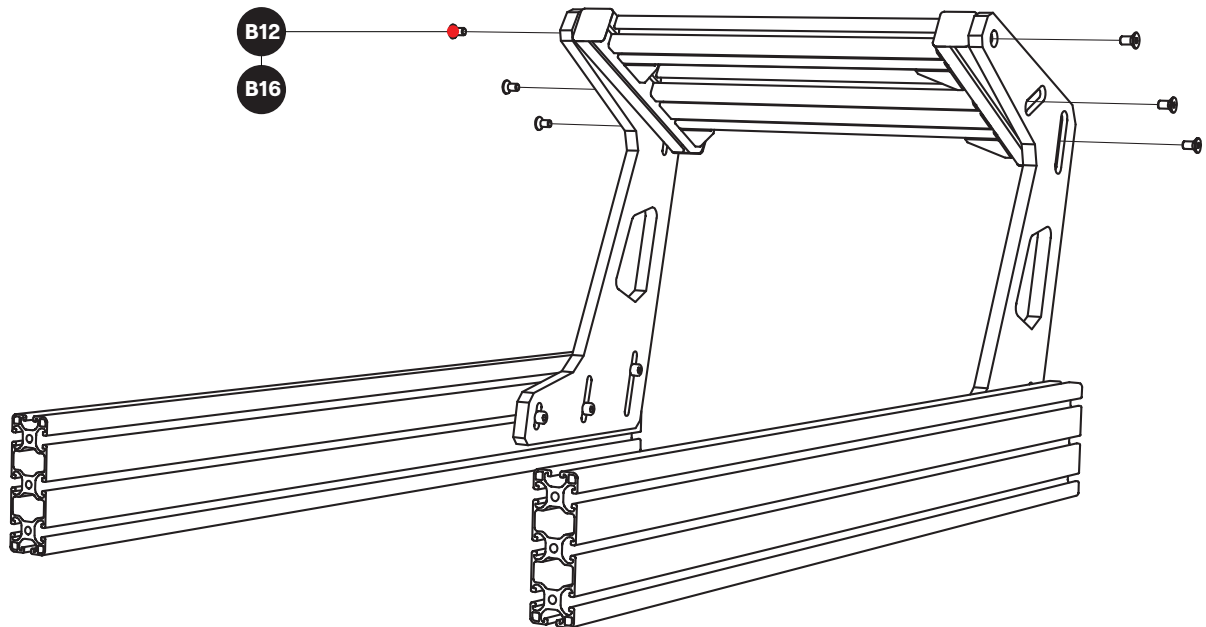
STEP 2

Inverted brackets assembly



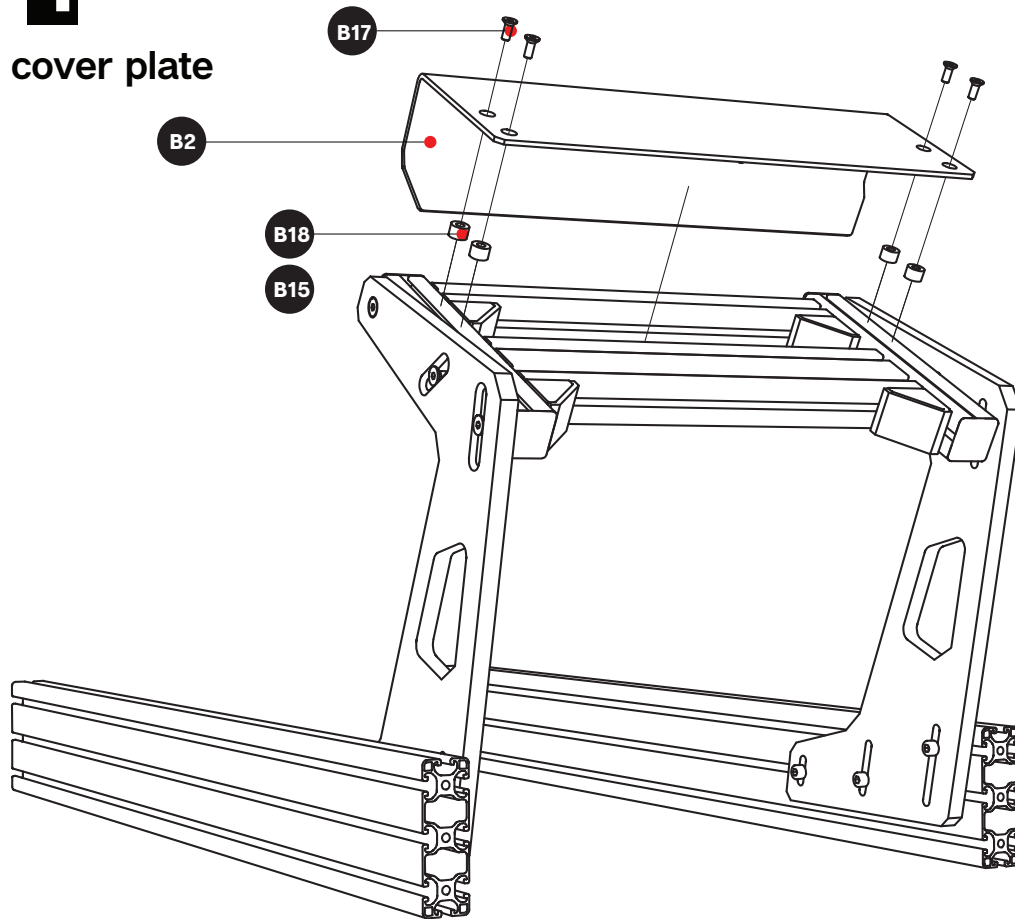
STEP 3

Mounting inner frame to the inverted brackets



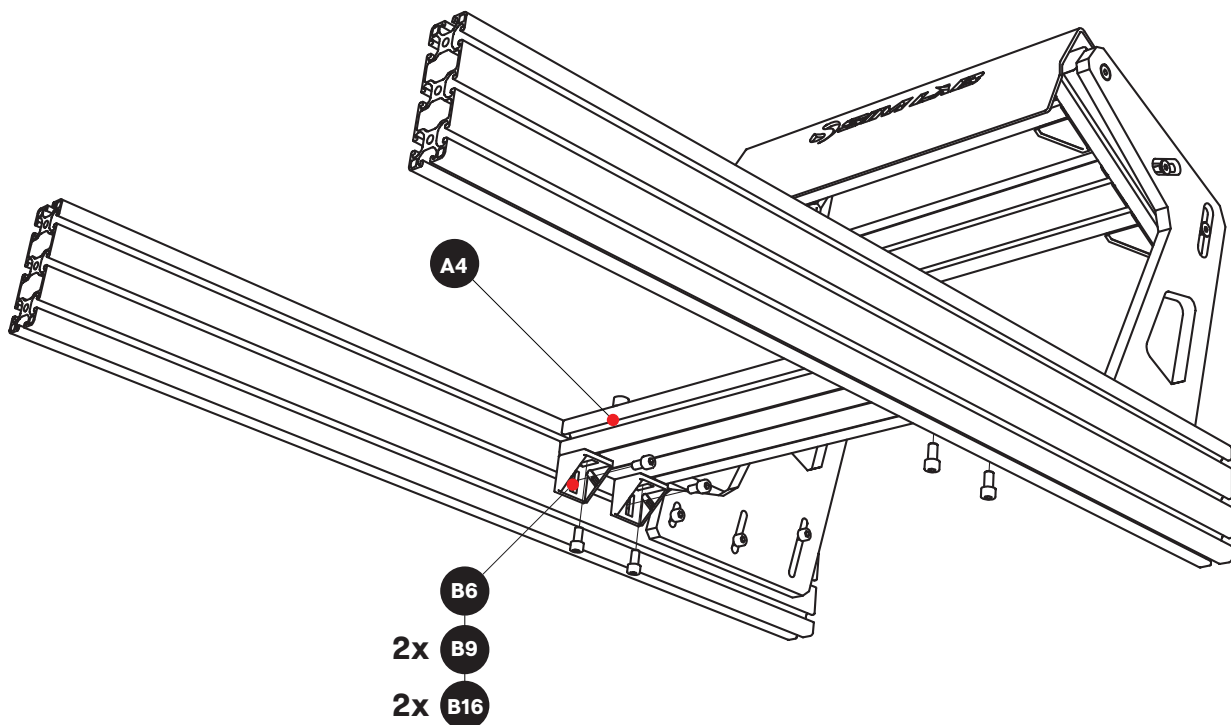
STEP 4

Mounting cover plate



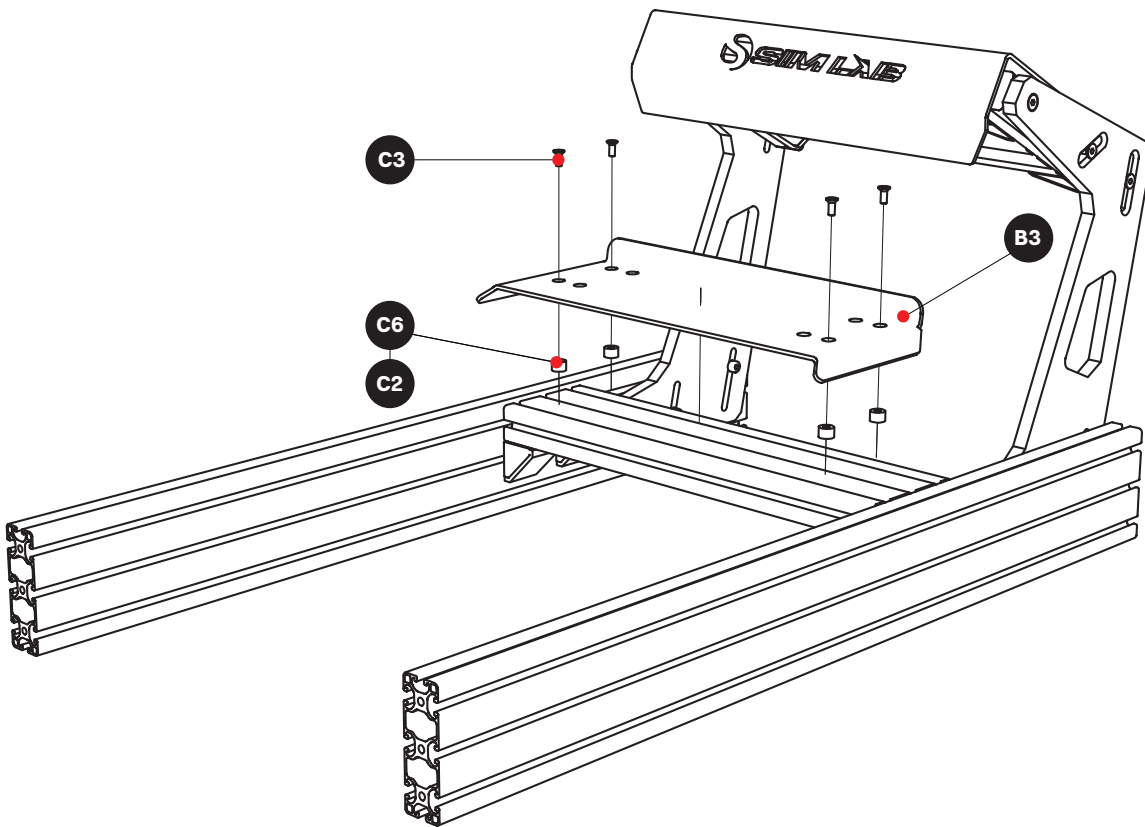
STEP 5

Mounting horizontal heel rest profile



STEP 6

Mounting heel rest plate



Parts list

Profile kit

Part No.	Part name	QTY	UoM	Note
A1	Profile 40mm slot 8 (Black, 40x40L) - 390mm	1	Units	
A2	Profile 40mm slot 8 (Black, 40x40L) - 350mm	2	Units	
A2	Profile 40mm slot 8 (Black, 40x80) - 390mm	1	Units	
A3	Profile 40mm slot 8 (Black, 40x120) - 500mm	1	Units	

Hardware kit

Part No.	Part name	QTY	UoM	Note
B1	Inverted brackets (set L+R)	1	Units	
B2	Cover inverted pedals	1	Units	
B3	Heel rest plate	1	Units	
B4	HW 203 - Heel rest hardware kit	1	Units	
B5	HW 206 - Sprint pedals hardware kit	2	Units	
B6	Corner bracket 4040E + Cover cap	10	Units	
B7	End cap profile (40x40)	4	Units	
B8	Bolt - DIN 912 (Black steel, 16mm, M6)	18	Units	
B9	Bolt - DIN 912 (Black steel, 16mm, M8)	20	Units	
B10	Bolt - DIN 912 (Black steel, 25mm, M8)	6	Units	
B11	Bolt - DIN 7991 (Black steel, 12mm, M6)	4	Units	
B12	Bolt - DIN 7991 (Black steel, 25mm, M8)	6	Units	
B13	Washer (Black steel, M6, Plain black)	12	Units	
B14	Washer (Black steel, M8, Plain black)	28	Units	
B15	Slot 8 nut (M6)	20	Units	
B16	Slot 8 nut (M8)	36	Units	
B17	Plastic sleeve black (10mm, M6)	4	Units	
B18	Bolt - DIN 7991 (Black steel, 20mm, M6)	4	Units	

HW 203 - Heel rest hardware kit

Part No.	Part name	QTY	UoM	Note
C1	Nut (M6, DIN 985 locknut, Galvanised)	4	Units	
C2	Slot 8 nut (M6)	4	Units	
C3	Bolt - DIN 7991 (Black steel, 35mm, M6)	4	Units	
C4	Bolt - DIN 7991 (Black steel, 40mm, M6)	4	Units	
C5	Plastic sleeve black (20mm)	4	Units	
C6	Plastic sleeve black (10mm)	4	Units	

HW 206 - Sprint pedals hardware kit

Part No.	Part name	QTY	UoM	Note
D1	Bolt - DIN 912 (Black steel, 25mm, M5)	12	Units	
D2	Bolt - DIN 912 (Black steel, 16mm, M5)	12	Units	
D3	Nut (M5, DIN 985 locknut, Galvanised)	12	Units	
D4	Slot 8 nut (M5)	12	Units	
D5	Washer (Black steel, M5, Plain black)	12	Units	
D6	Washer (Black steel, M5, 9021)	12	Units	