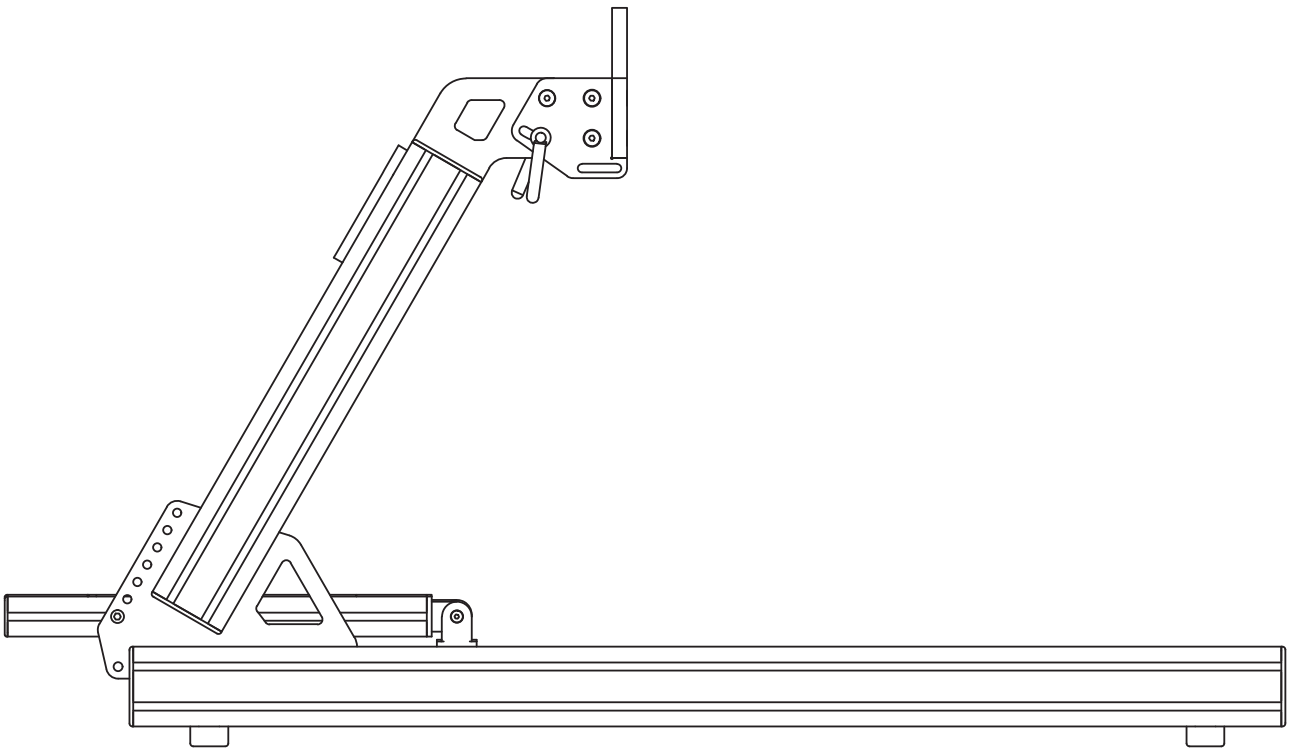


GT2 Direct drive Cockpit

INSTRUCTION MANUAL



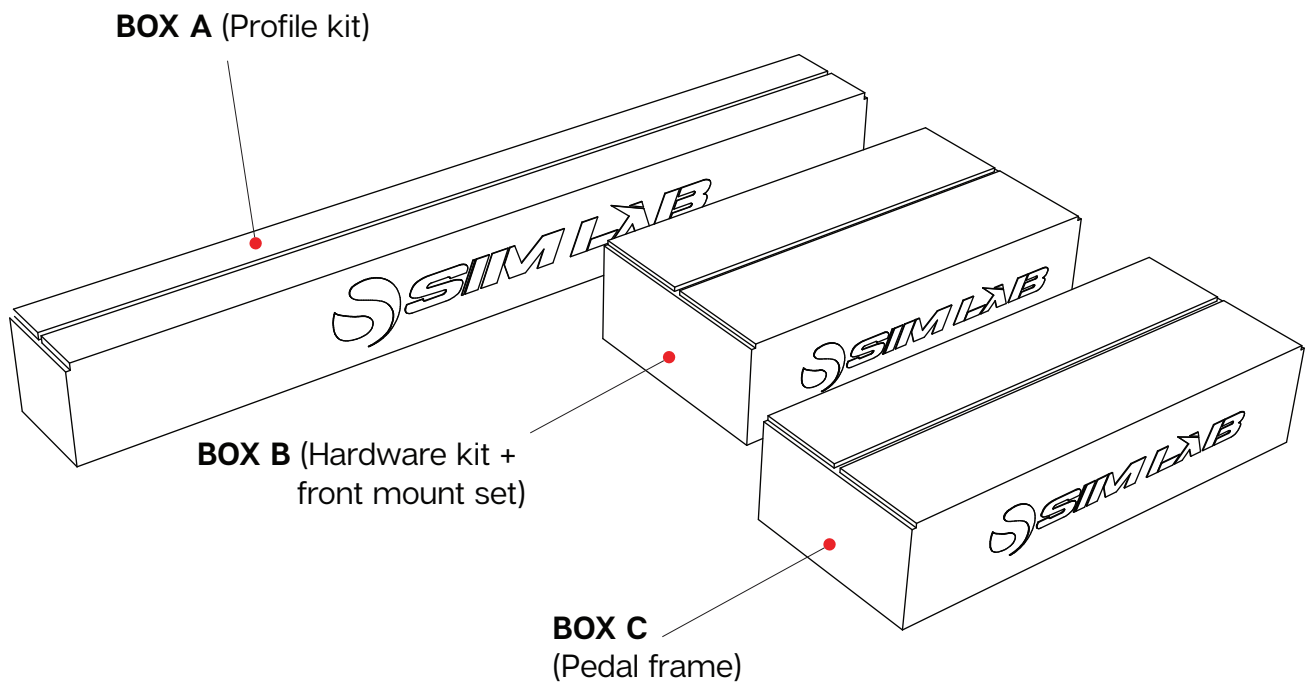
SKU: **SLC002**

<https://sim-lab.eu/shop/product/slc002-gt2-direct-drive-cockpit-black-452>
info@sim-lab.eu



Thank you for purchasing a Sim-Lab GT2 Direct drive Cockpit! On the following pages you will find a detailed instruction how to build this cockpit. Assembling requires a set of simple tools, and general knowledge of how to use them and a bit of technical insight.

Generally it takes about 3-4 hours to build this cockpit. Before starting please check contents (page 9) and make sure all the parts are accounted for in the packages.



Required tools:



5/6 mm

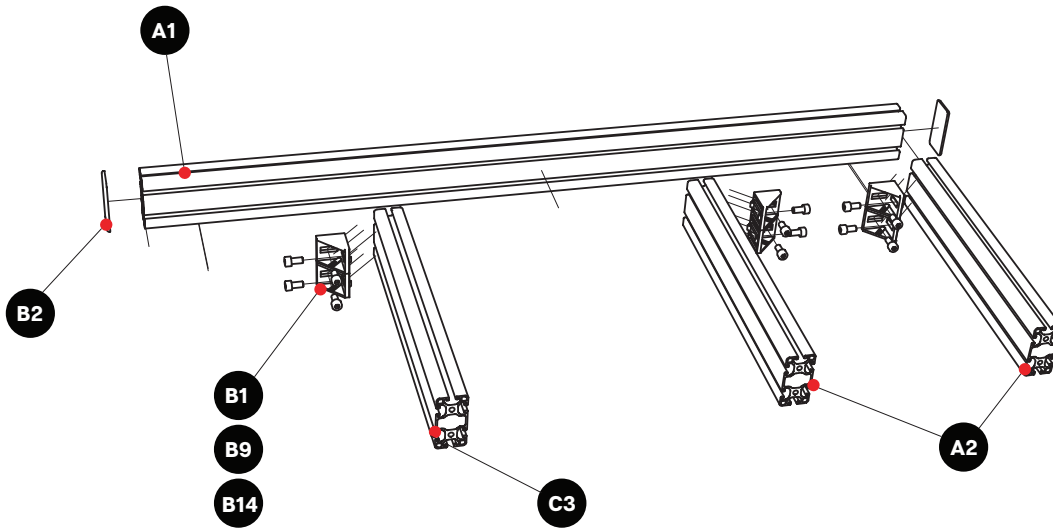
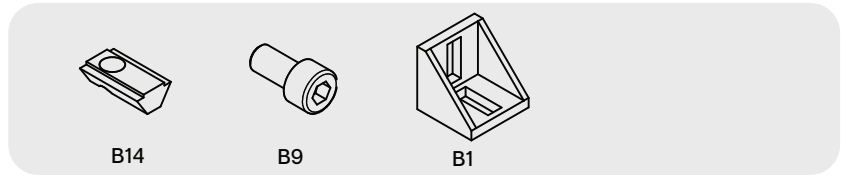


11 mm



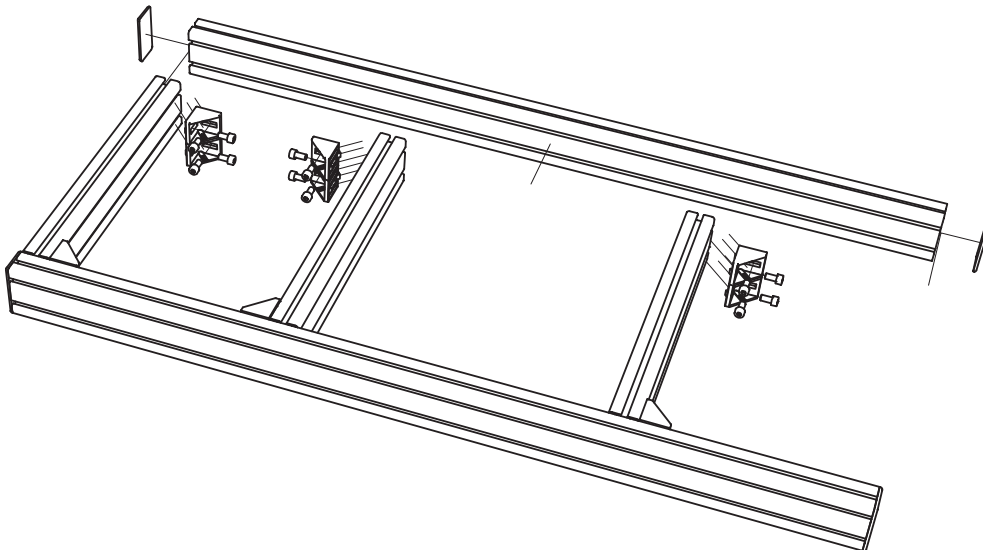
STEP 1

Base assembly



STEP 1a

Base assembly

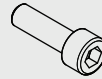


STEP 2

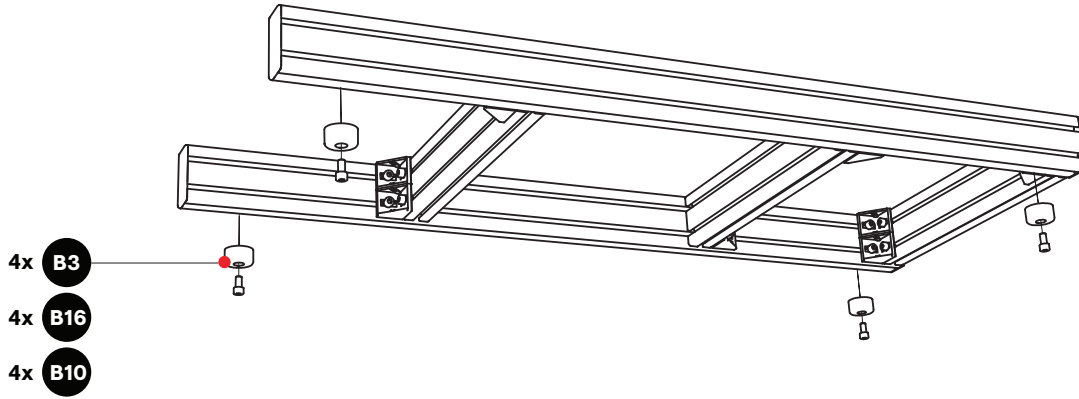
Rubber feet



B15



B10



4x B3

4x B16

4x B10

STEP 3

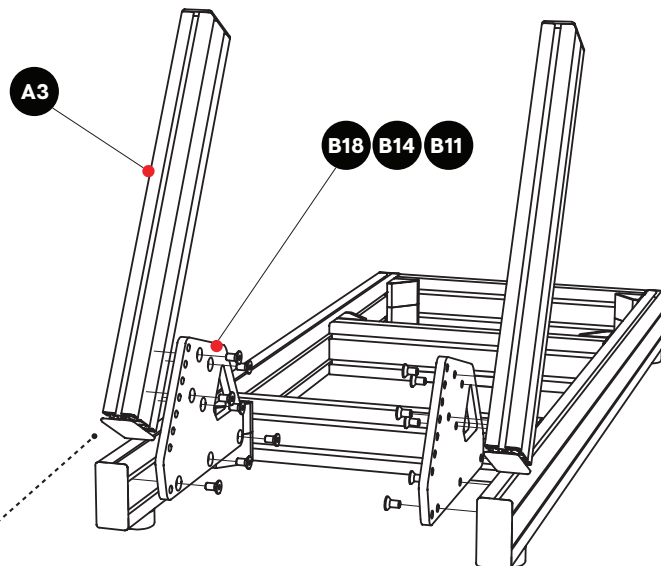
Upright assembly



B14



B11



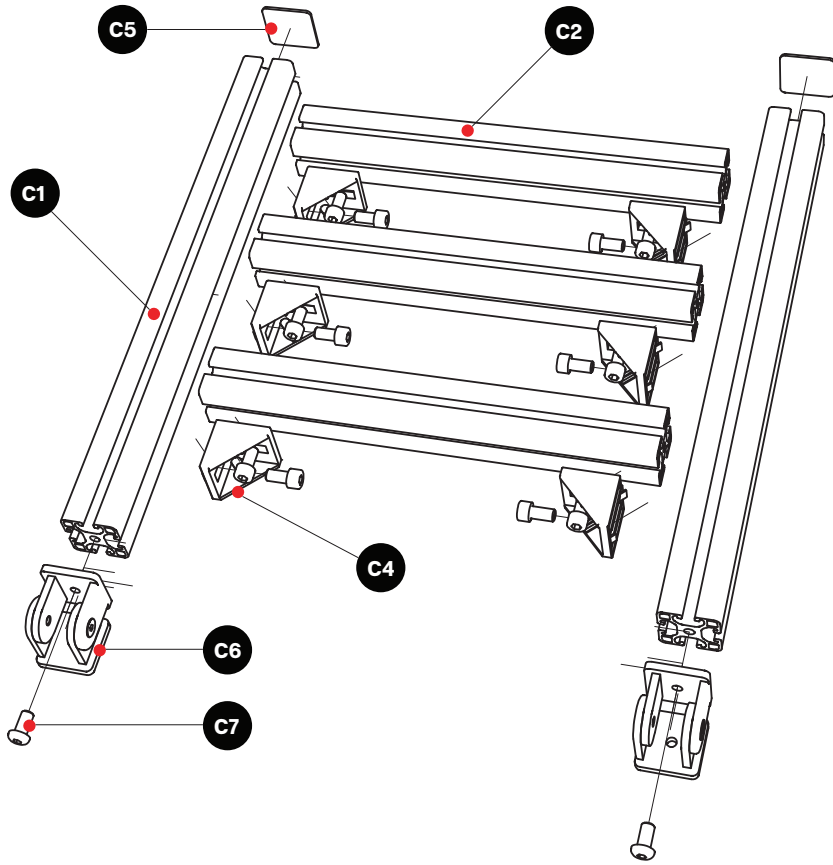
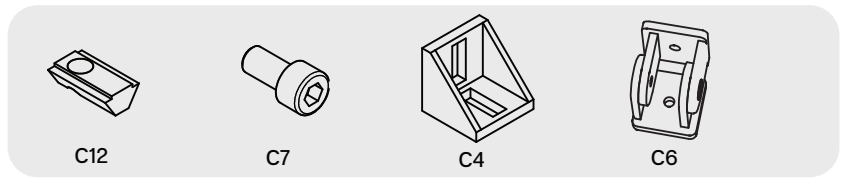
A3

B18 B14 B11

Mount caps (B2) on 40x80 profile before mounting to base

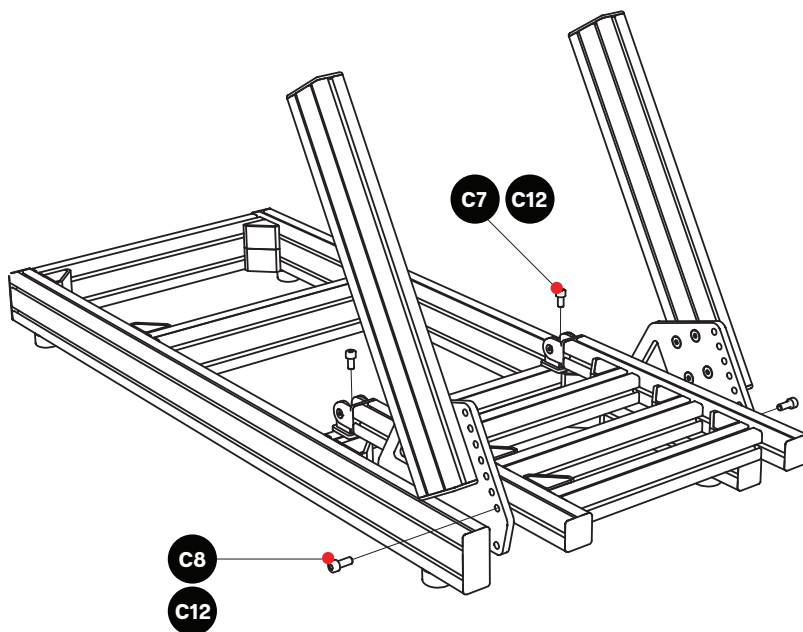
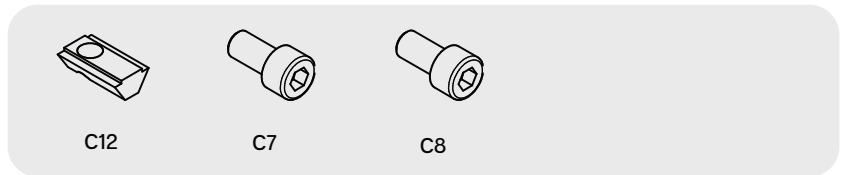
STEP 4

Pedal deck assembly



STEP 5

Mounting pedal deck to frame



STEP 6

Front mount assembly



B31



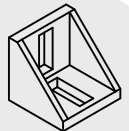
B26



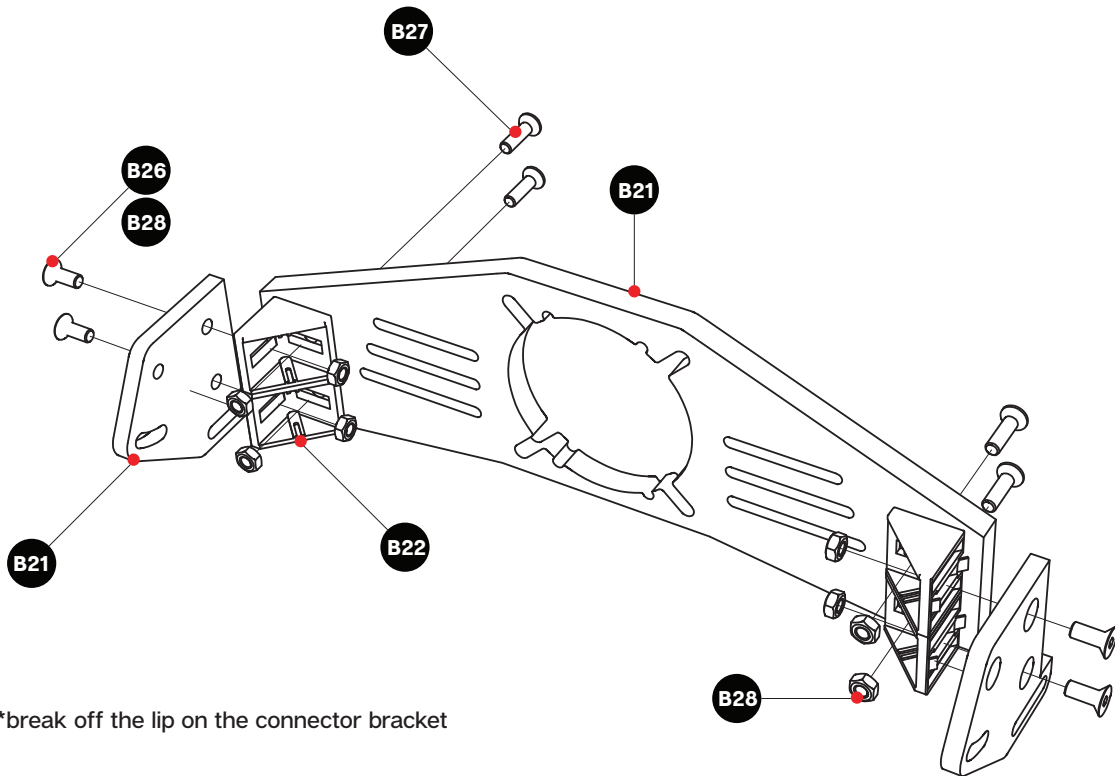
B27



B28



B22



*break off the lip on the connector bracket

STEP 6a

Front mount brackets assembly



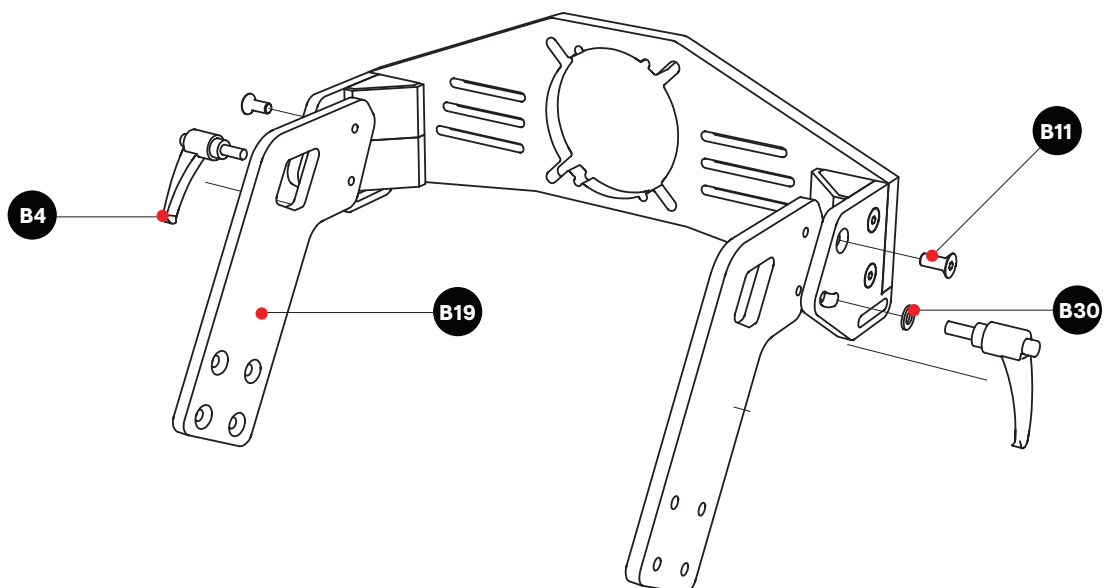
B4



B11



B30



STEP 7

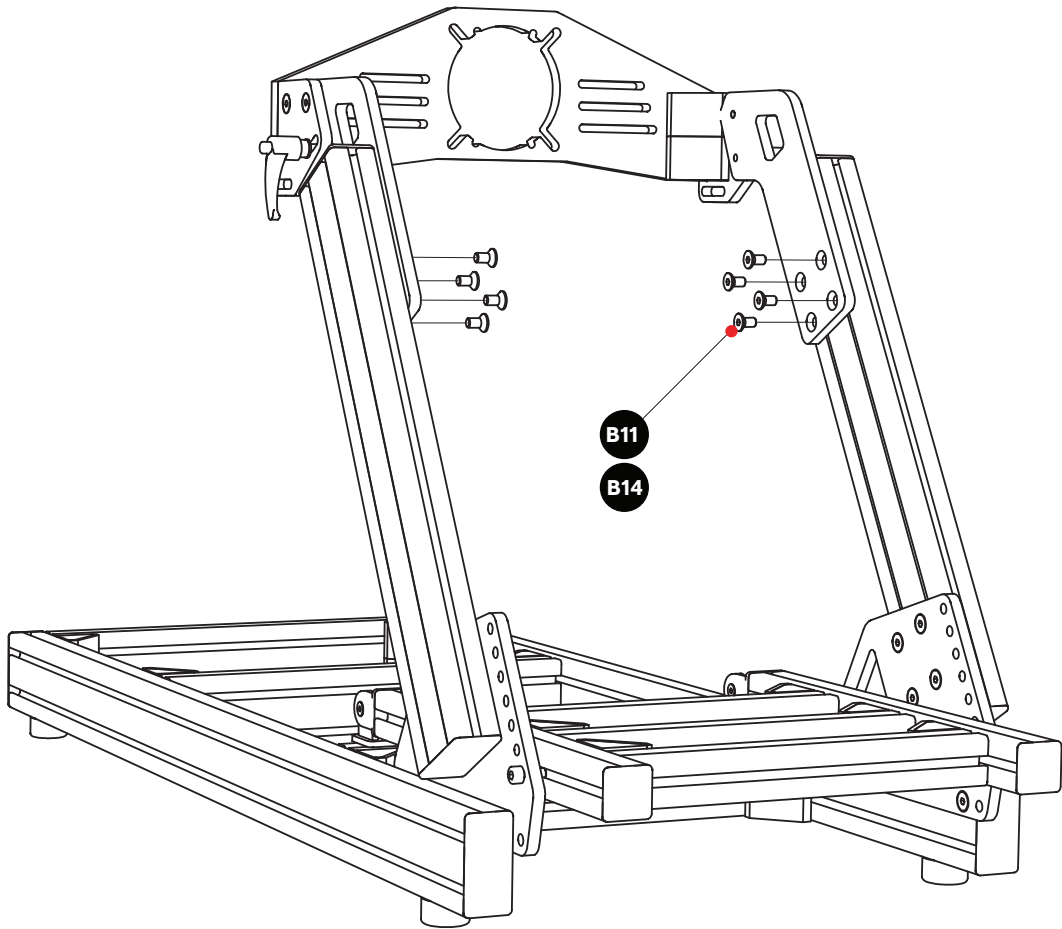
Mounting front mount to the base



B11



B14



STEP 8

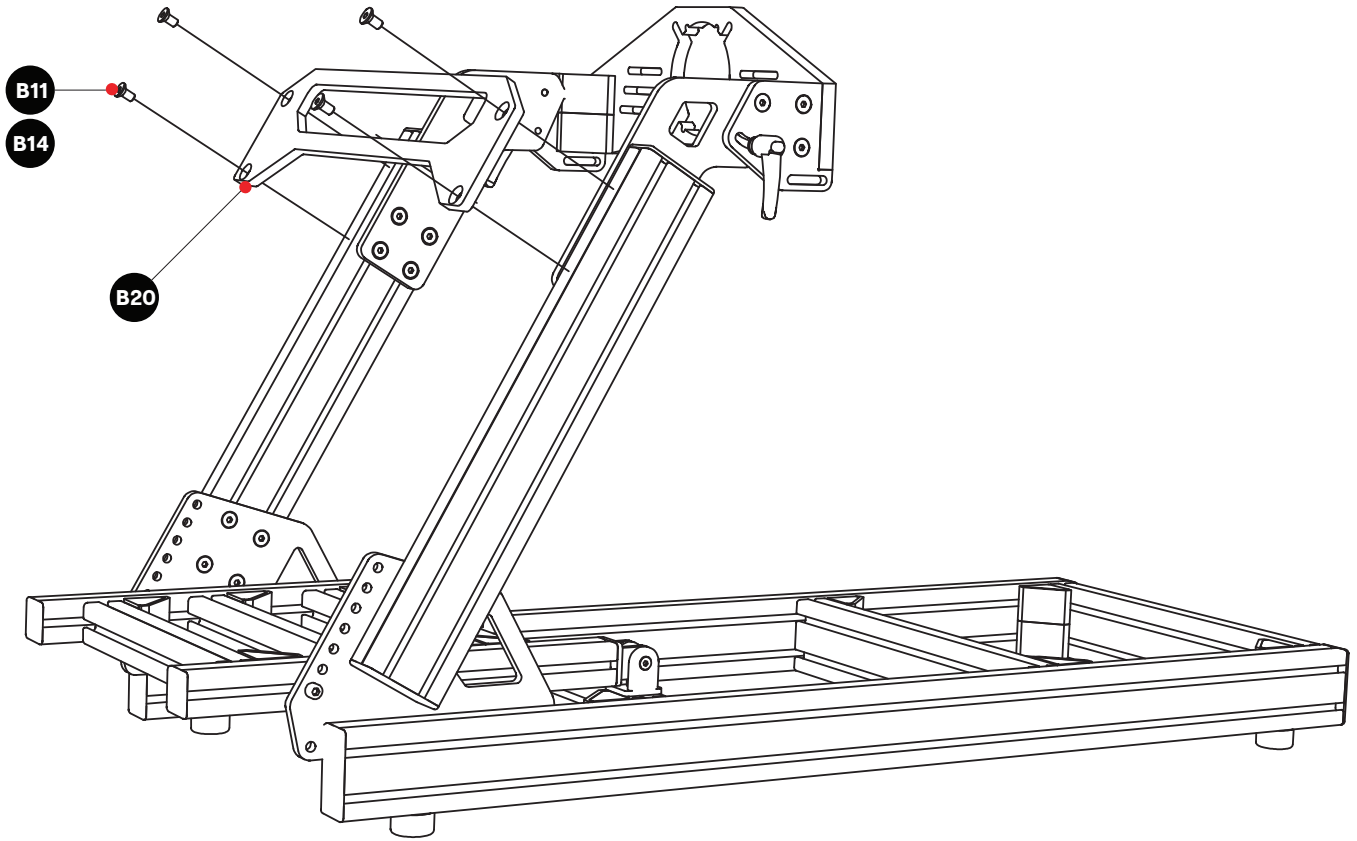
GT2/TR1 brace assembly



B11



B14



Parts list

BOX A

Base profiles

Part No.	Part name	QTY	UoM	Note
A1	Profile 40mm slot 8 (Black, 40x80L) - 1195mm	2	Units	
A2	Profile 40mm slot 8 (Black, 40x80L) - 420mm	2	Units	
A3	Profile 40mm slot 8 (Black, 40x80) - 500mm	2	Units	

BOX B

Hardware kit

Part No.	Part name	QTY	UoM	Note
B1	Corner bracket 4040E + Cover cap	8	Units	
B2	End cap profile (40x80L)	8	Units	
B3	Rubber feet	4	Units	
B4	Handle M8x20	2	Units	
B5	Plastic sleeve black (10mm)	2	Units	
B6	Bolt - DIN 912 (Black steel, 20mm, M8)	10	Units	
B7	Bolt - DIN 912 (Black steel, 25mm, M8)	4	Units	
B8	Bolt - DIN 912 (Black steel, 16mm, M6)	4	Units	
B9	Bolt - DIN 912 (Black steel, 16mm, M8)	20	Units	
B10	Bolt - DIN 912 (Black steel, 20mm, M6)	4	Units	
B11	Bolt - DIN 7991 (Black steel, 20mm, M8)	30	Units	
B12	Nut (M8, DIN 985 locknut, Galvanised)	8	Units	
B13	Washer (Black steel, M8, Plain black)	10	Units	
B14	Slot 8 nut (M8)	50	Units	
B15	Slot 8 nut (M6)	20	Units	
B16	Plastic sleeve black (10mm, M6)	4	Units	
B17	Bolt - DIN 7991 (Black steel, 20mm, M6)	4	Units	
B18	TR1/GT2 pedal deck triangle (set of 2)	1	Units	
B19	TR1/GT2 45 degree wheeldeck sidemount (set of 2)	1	Units	
B20	TR1/GT2 brace	1	Units	

Front mount set

Part No.	Part name	QTY	UoM	Note
B21	GT2 Front mount set (Front + Left + Right plate)	1	Units	
B22	Corner bracket 4040E + Cover cap	4	Units	
B23	Bolt - DIN 912 (Black steel, 20mm, M6)	4	Units	
B24	Bolt - DIN 912 (Black steel, 20mm, M8)	6	Units	
B25	Bolt - DIN 912 (Black steel, 40mm, M8)	4	Units	
B26	Bolt - DIN 7991 (Black steel, 25mm, M8)	4	Units	
B27	Bolt - DIN 7991 (Black steel, 30mm, M8)	4	Units	
B28	Nut (M8, DIN 985 locknut, Galvanised)	12	Units	
B29	Spacer - male / female (10mm, M6)	4	Units	
B30	Washer (Black steel, M8, Plain black)	12	Units	
B31	Slot 8 nut (M8)	4	Units	

BOX C

Pedal frame

Part No.	Part name	QTY	UoM	Note
C1	Profile 40mm slot 8 (Black, 40x40L) - 420mm (M8 thread)	2	Units	
C2	Profile 40mm slot 8 (Black, 40x40L) 320mm	3	Units	
C3	Profile 40mm slot 8 (Black, 40x80L) - 420mm	1	Units	
C4	Corner bracket 4040E + Cover cap	10	Units	
C5	End cap profile (40x40L)	2	Units	
C6	Joint 40	2	Units	
C7	Bolt - DIN 912 (Black steel, 16mm, M8)	24	Units	
C8	Bolt - DIN 912 (Black steel, 20mm, M8)	2	Units	
C9	Bolt - DIN 912 (Black steel, 16mm, M5)	12	Units	
C10	Bolt - DIN 912 (Black steel, 16mm, M6)	12	Units	
C11	Washer (Black steel, M8, Plain black)	28	Units	
C12	Slot 8 nut (M8)	34	Units	
C13	Slot 8 nut (M6)	12	Units	
C14	Slot 8 nut (M5)	12	Units	