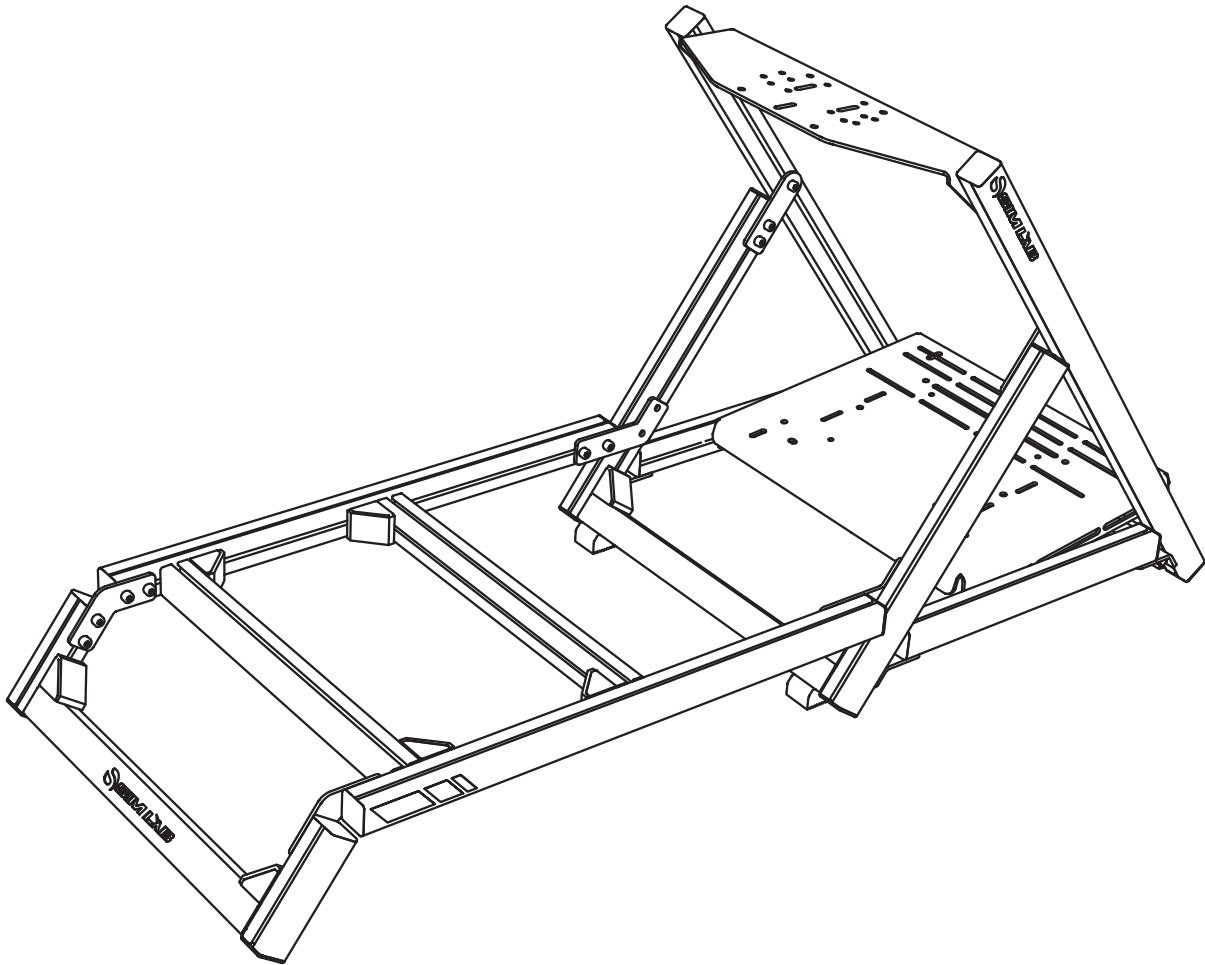


WS-PRO Wheel Stand

INSTRUCTION MANUAL



SKU: **SLC010** **SLC011** **SLC012**

<https://sim-lab.eu/shop/product/ws-pro-wheel-stand-1118>

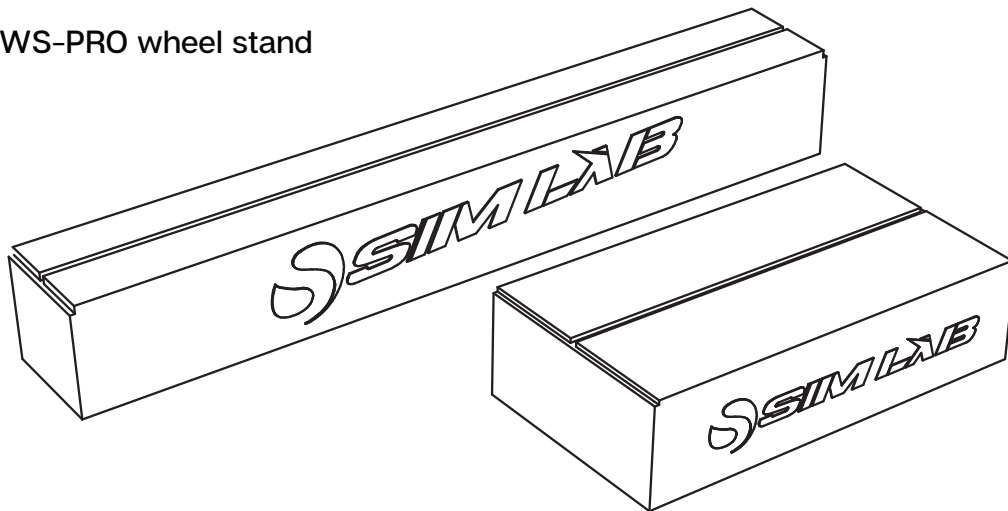
info@sim-lab.eu



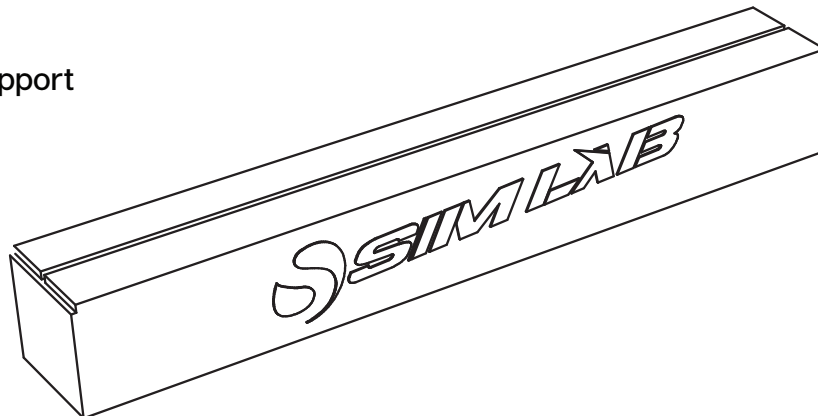
Thank you for purchasing a WS-Pro Wheel stand! On the following pages you will find a detailed instruction how to build this cockpit. Assembling requires a set of simple tools, and general knowledge of how to use them and a bit of technical insight.

Generally it takes about 2-3 hours to build this cockpit. Before starting please check contents (page 10) and make sure all the parts are accounted for in the packages.

WS-PRO wheel stand



Seat support



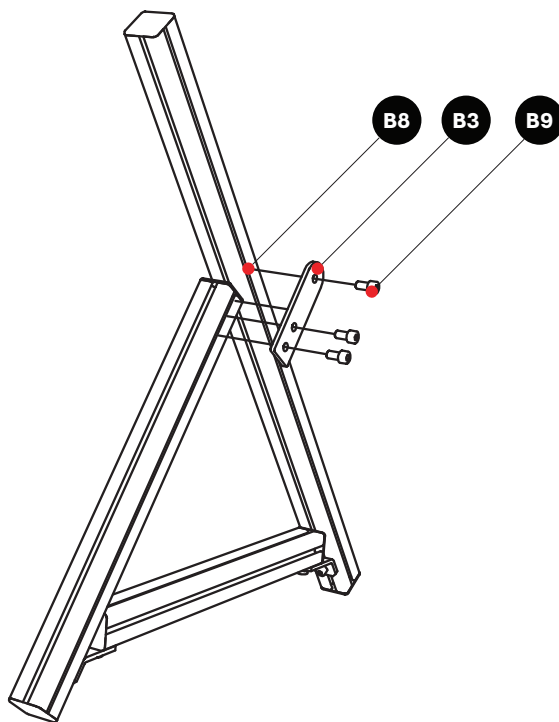
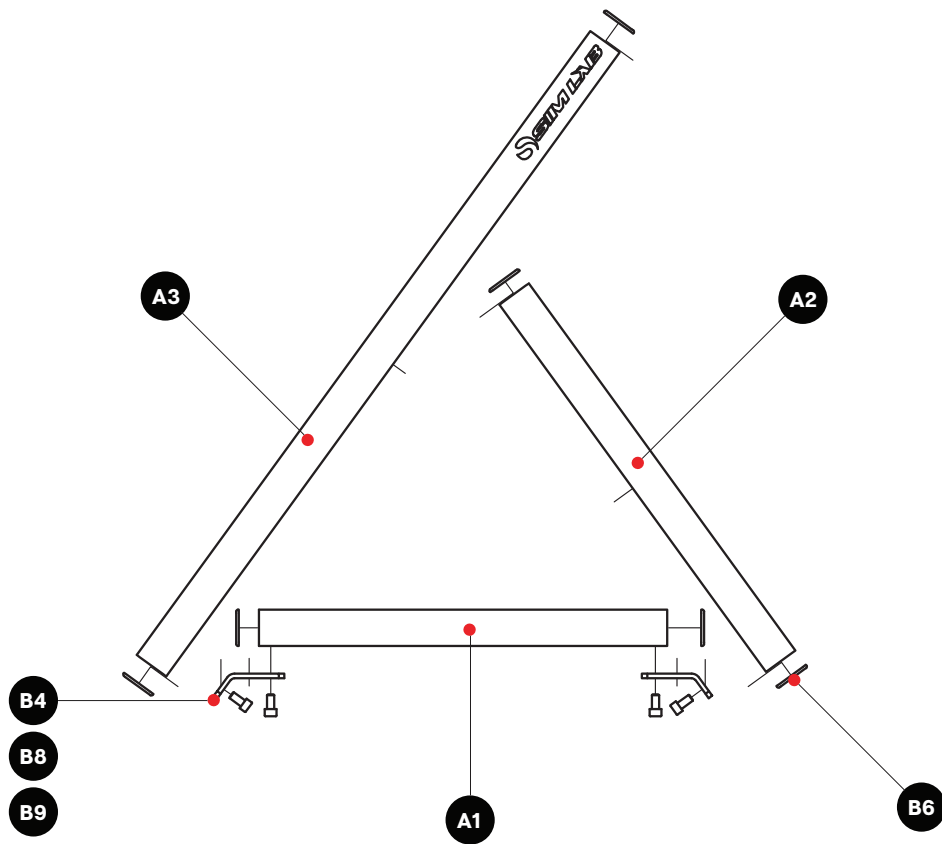
Required tools:



5/6 mm

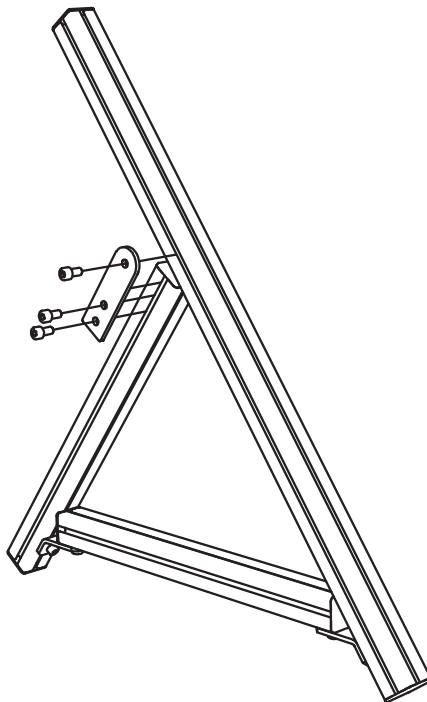
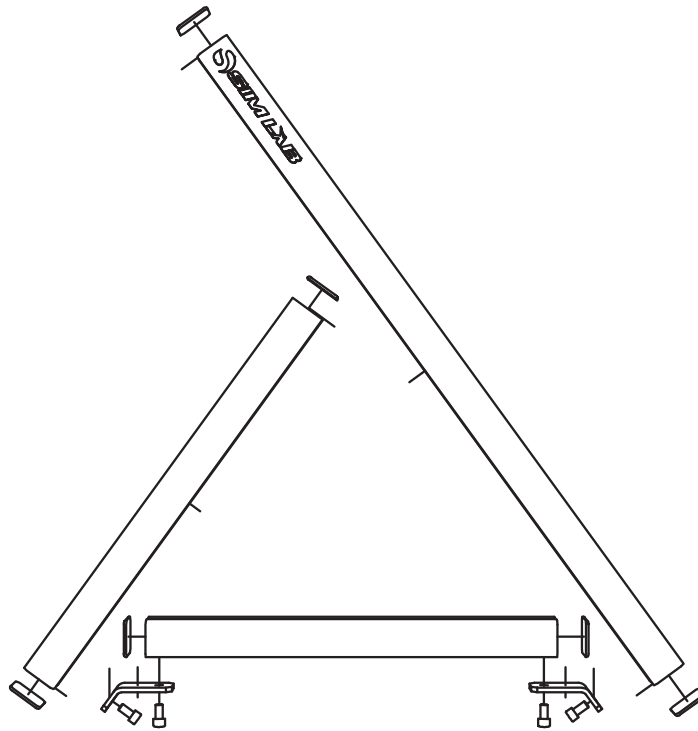
STEP 1

Left upright frame assembly



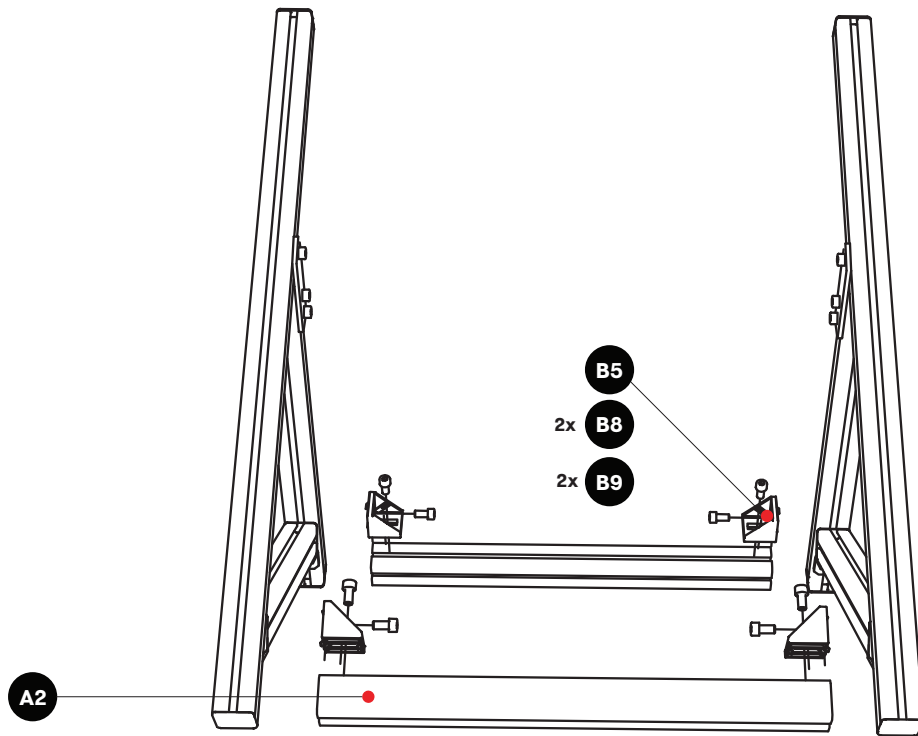
STEP 2

Right upright frame assembly



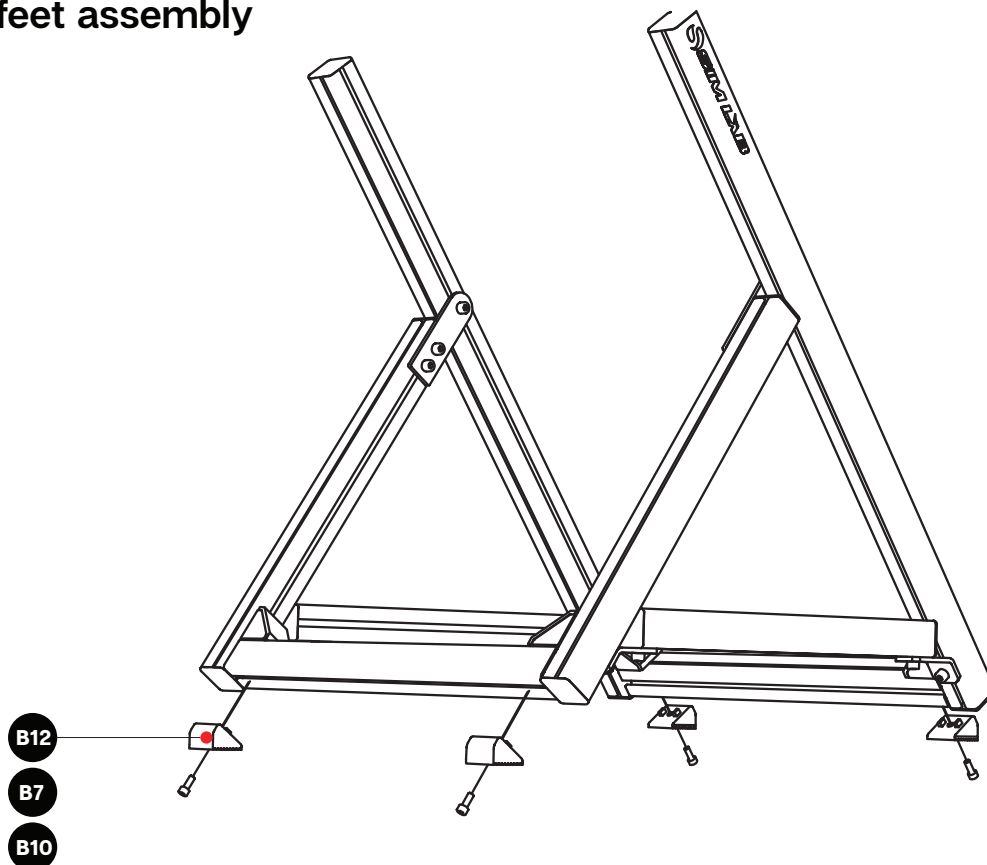
STEP 3a

Horizontal profiles assembly



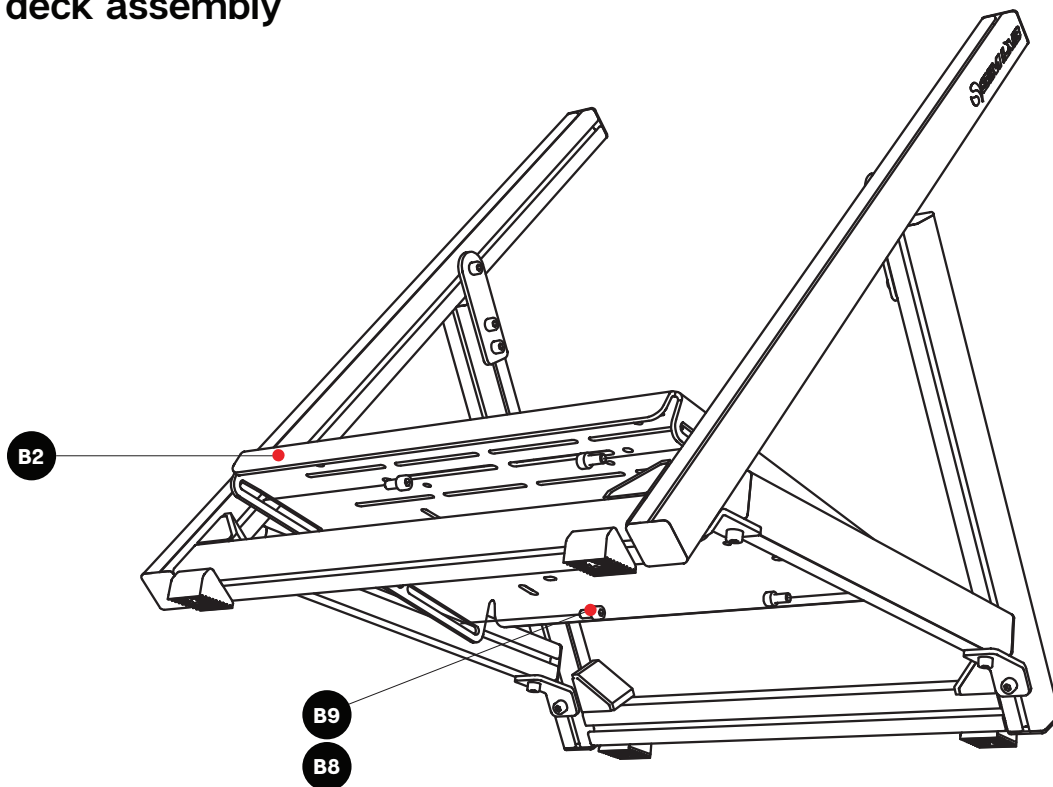
STEP 3b

Rubber feet assembly



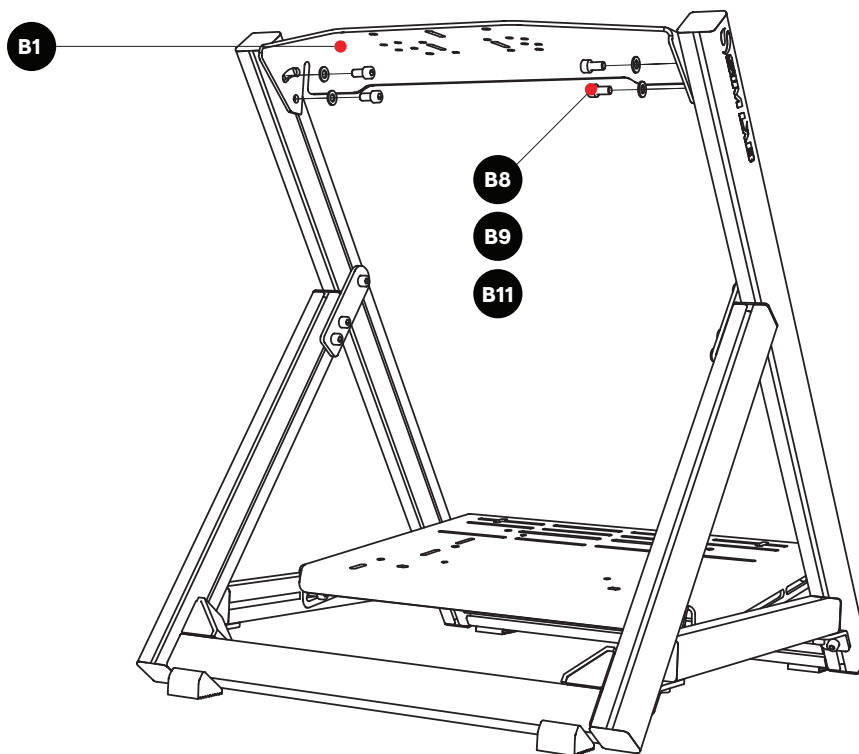
STEP 4a

Pedal deck assembly



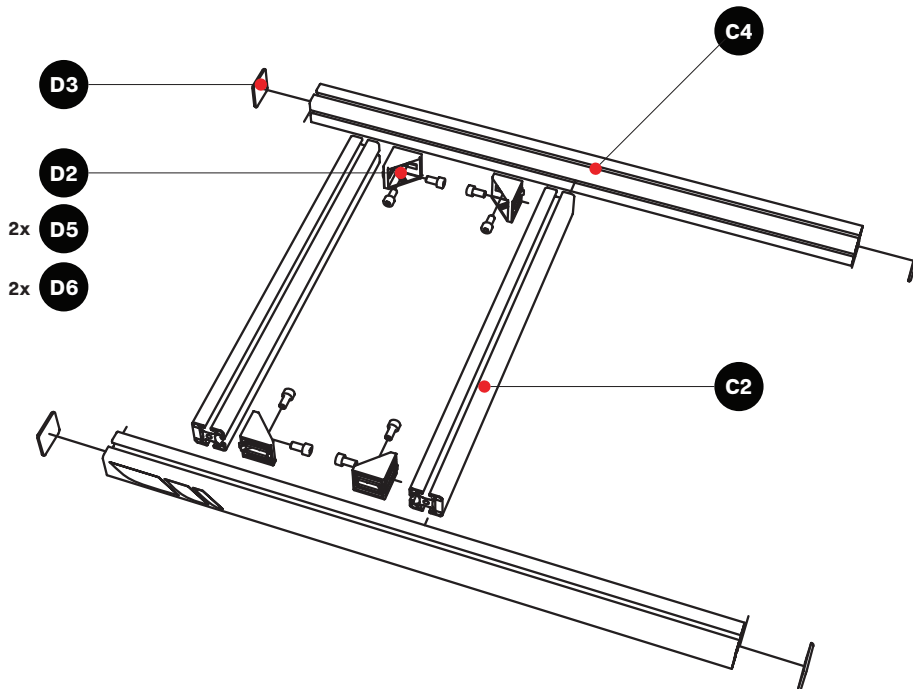
STEP 4b

Wheel deck assembly



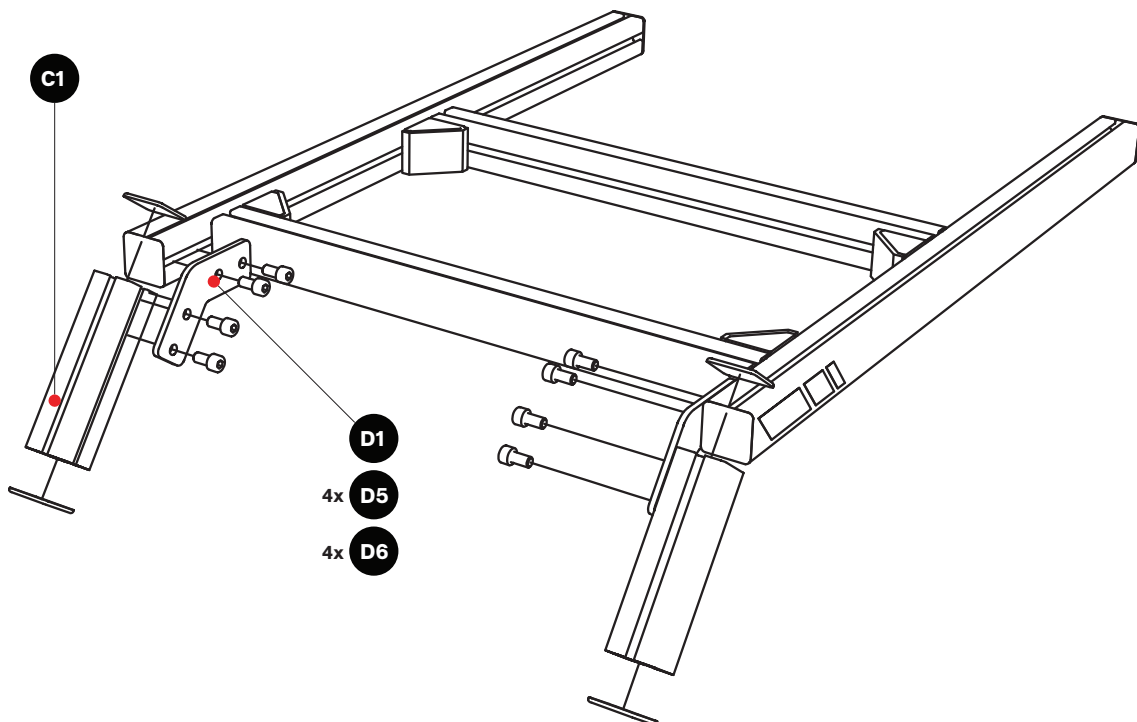
STEP 5a

Seat support frame assembly



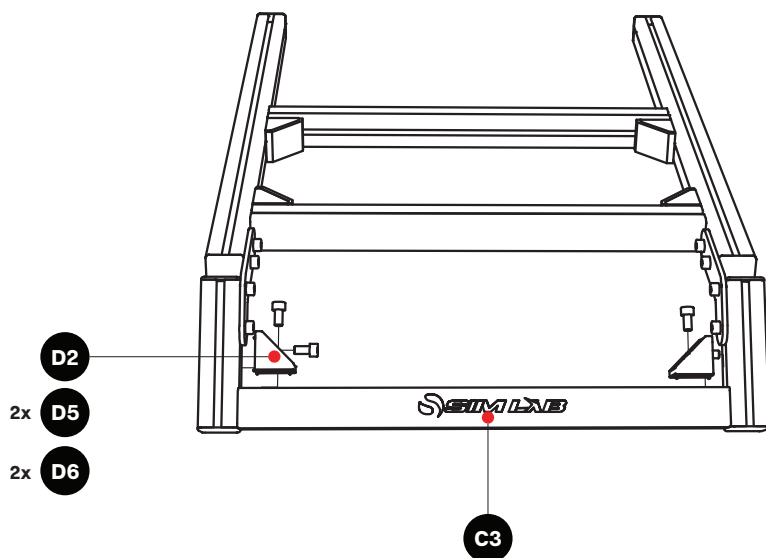
STEP 5b

Seat support frame assembly



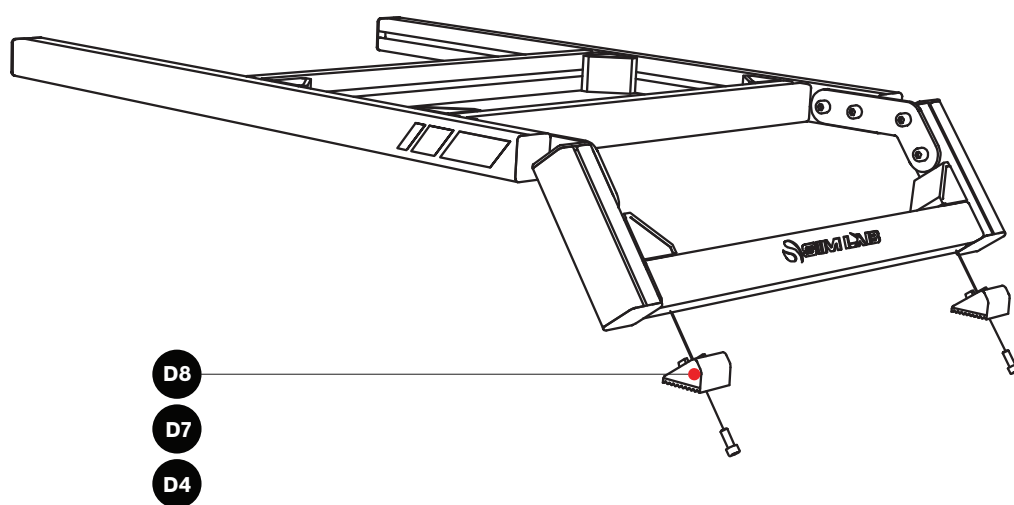
STEP 5c

Seat support frame assembly



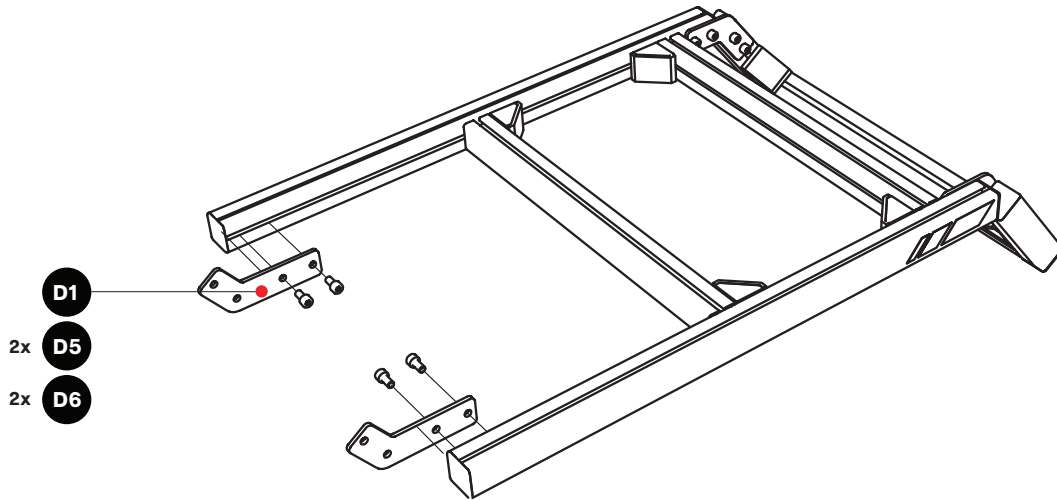
STEP 5d

Seat support rubber feet assembly



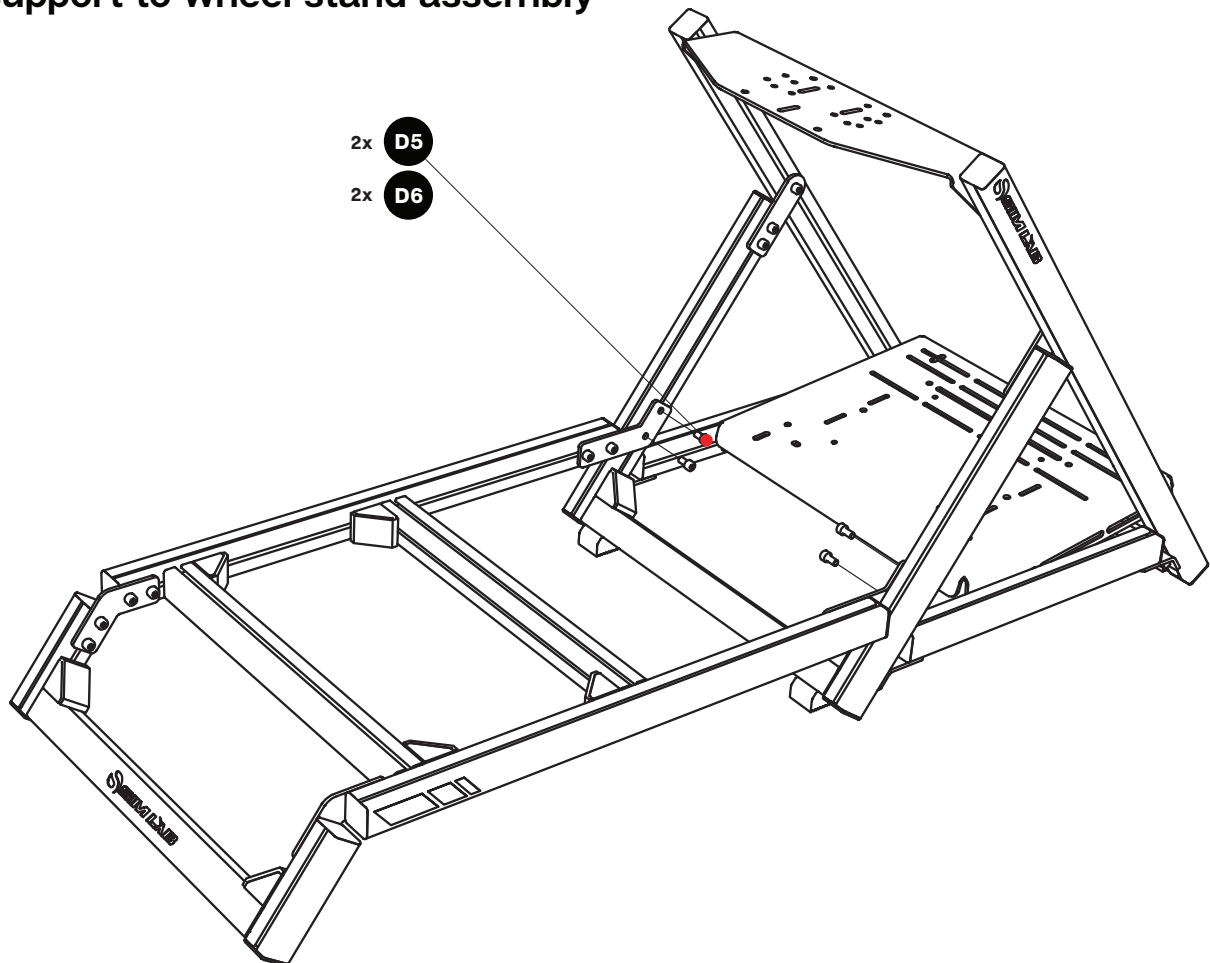
STEP 5e

Seat support frame assembly



STEP 6

Seat support to wheel stand assembly



Parts list

BOX A

Profile kit - WS-PRO wheel stand

Part No.	Part name	QTY	UoM	Note
A1	Profile 40mm slot 8 (Black, 40x40L3N) - 450mm	2	Units	
A2	Profile 40mm slot 8 (Black, 40x40L3N) - 500mm	4	Units	
A3	Profile 40mm slot 8 (Black, 40x40L3N) - 850mm - Engraved	2	Units	

BOX B

Hardware kit - WS-PRO wheel stand

Part No.	Part name	QTY	UoM	Note
B1	Wheel deck bracket	1	Units	
B2	Pedal deck bracket	1	Units	
B3	Upright sandwich plate	2	Units	
B4	Base sandwich plate	4	Units	
B5	Corner bracket 4040F + Cover cap	4	Units	
B6	End cap profile (40x40L)	12	Units	
B7	Slot 8 nut (M6)	4	Units	
B8	Slot 8 nut (M8)	32	Units	
B9	Bolt - DIN 912 (Black steel, 16mm, M8)	32	Units	
B10	Bolt - DIN 912 (Black steel, 16mm, M6)	4	Units	
B11	Washer (Black steel, M8, Plain black)	4	Units	
B12	Wheelstand Rubber feet	4	Units	

BOX C

Profile kit - WS-PRO seat support

Part No.	Part name	QTY	UoM	Note
C1	Profile 40mm slot 8 (Black, 40x40L3N) - 150mm	2	Units	
C2	Profile 40mm slot 8 (Black, 40x40L3N) - 500mm	2	Units	
C3	Profile 40mm slot 8 (Black, 40x40L3N) - 500mm - Engraved	1	Units	
C4	Profile 40mm slot 8 (Black, 40x40L3N) - 750mm - Engraved	2	Units	

Hardware kit - WS-PRO seat support

Part No.	Part name	QTY	UoM	Note
D1	Seat addon angled plate	4	Units	
D2	Corner Bracket 4040F + Cover cap	6	Units	
D3	End cap profile (40x40L)	8	Units	
D4	Slot 8 nut (M6)	2	Units	
D5	Slot 8 nut (M8)	30	Units	
D6	Bolt - DIN 912 (Black steel, 16mm, M8)	30	Units	
D7	Bolt - DIN 912 (Black steel, 16mm, M6)	2	Units	
D8	Wheelstand Rubber feet	2	Units	