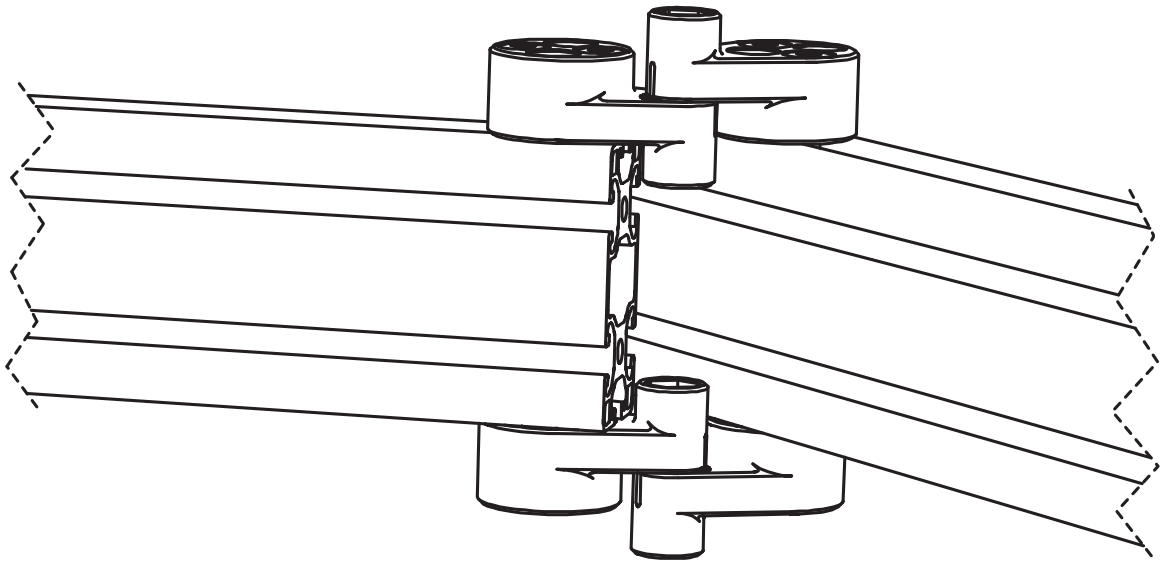


XERO-PLAY™

Triple pivot adapters set

INSTRUCTION MANUAL



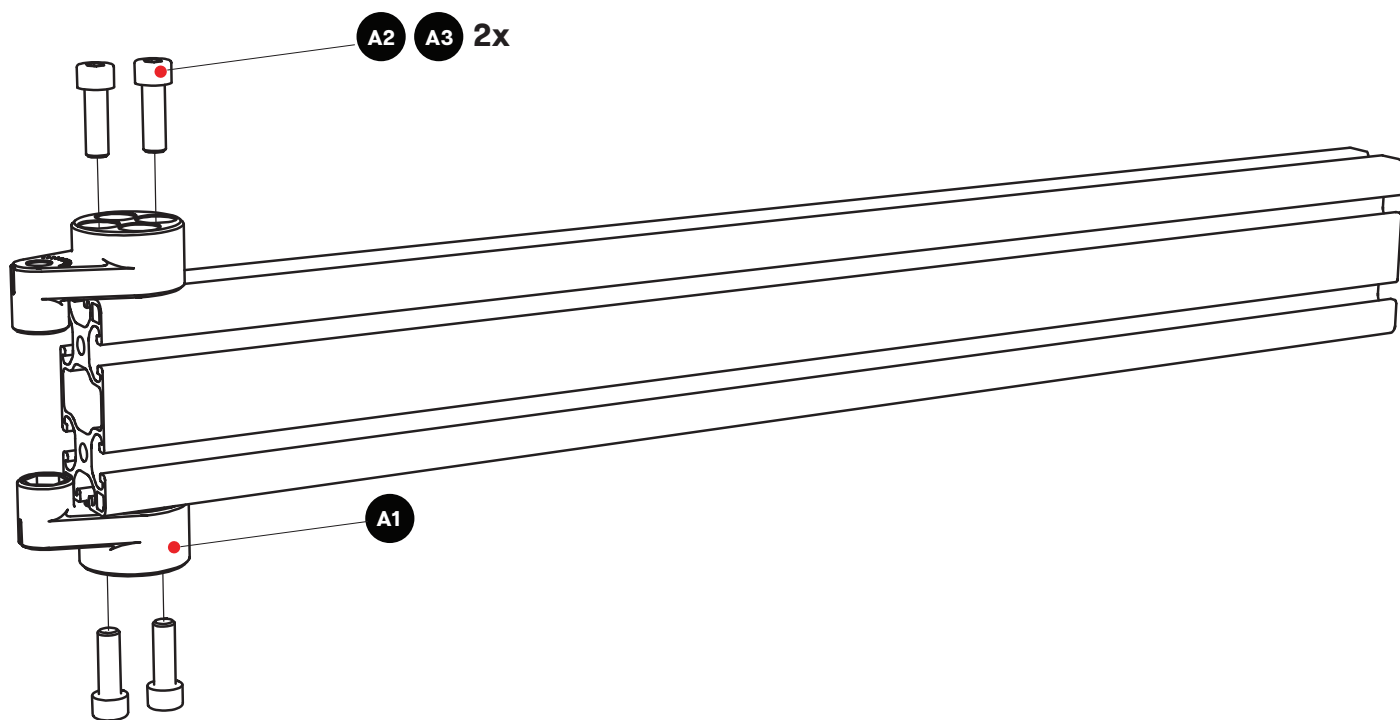
SKU: **SLA115**

<https://sim-lab.eu/shop/product/sla115-xero-playtm-triple-pivot-adapters-set-1374>
info@sim-lab.eu



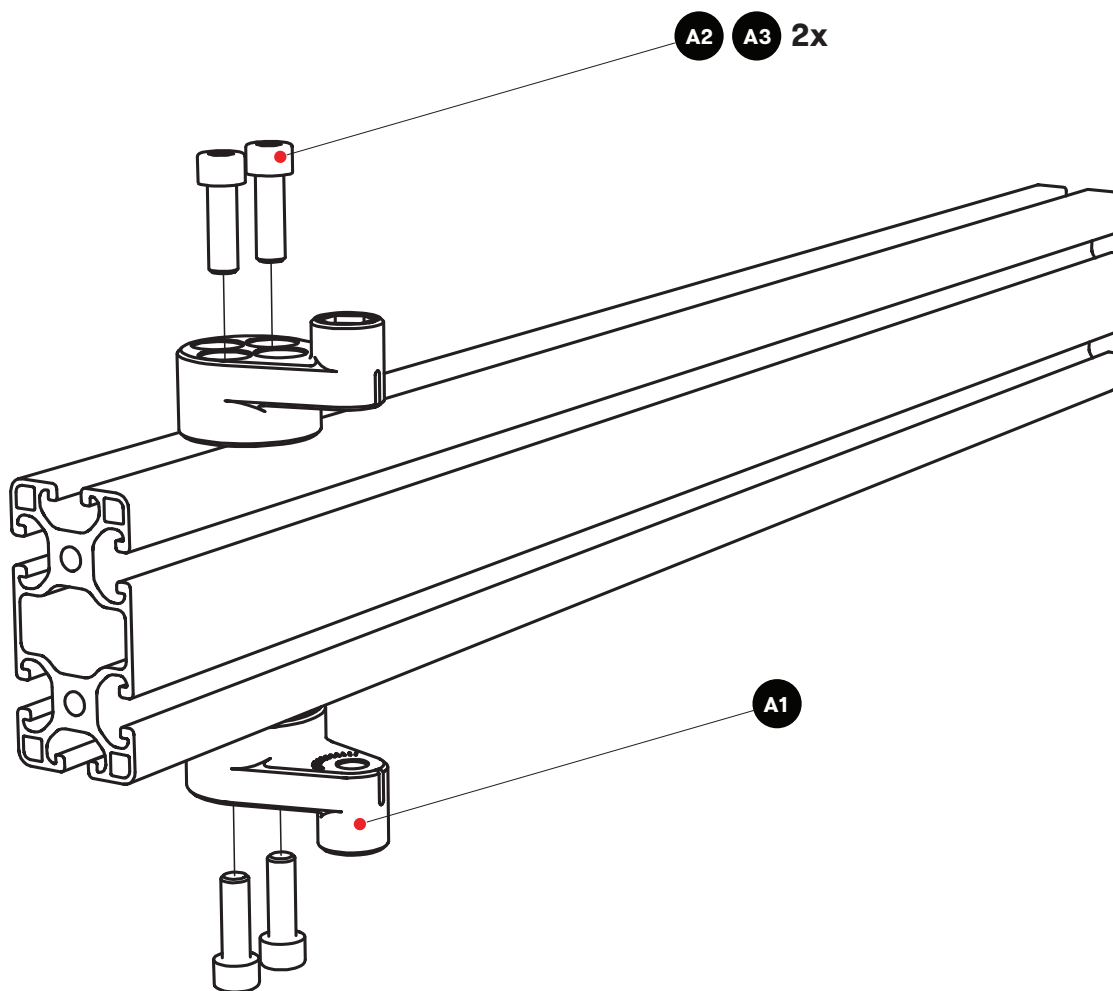
STEP 1

Mount the adapters to the crossbar



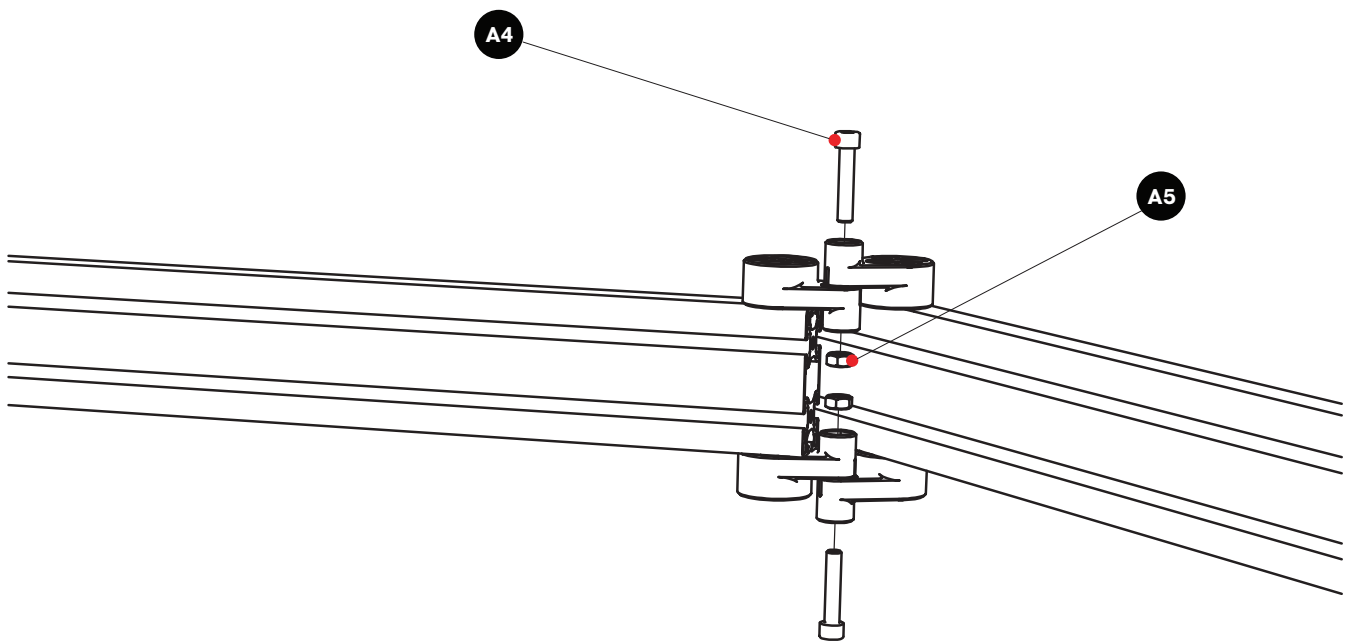
STEP 2

Mount the adapters to the side arms



STEP 3

Connect crossbar and side arms



Parts list

| Base Adapter (Motor side) - Black / Red / Blue | | | |
|--|---------------------------------------|-----|-------|
| Part No. | Part name | QTY | UoM |
| A1 | Triple pivot adapters | 8 | Units |
| A2 | Slot 8 nut (M8) | 16 | Units |
| A3 | Bolt - DIN 912 (Back steel, 25mm, M8) | 16 | Units |
| A4 | Bolt - DIN 912 (Back steel, 40mm, M8) | 4 | Units |
| A5 | Nut (M8, DIN 934, plain black) | 4 | Units |