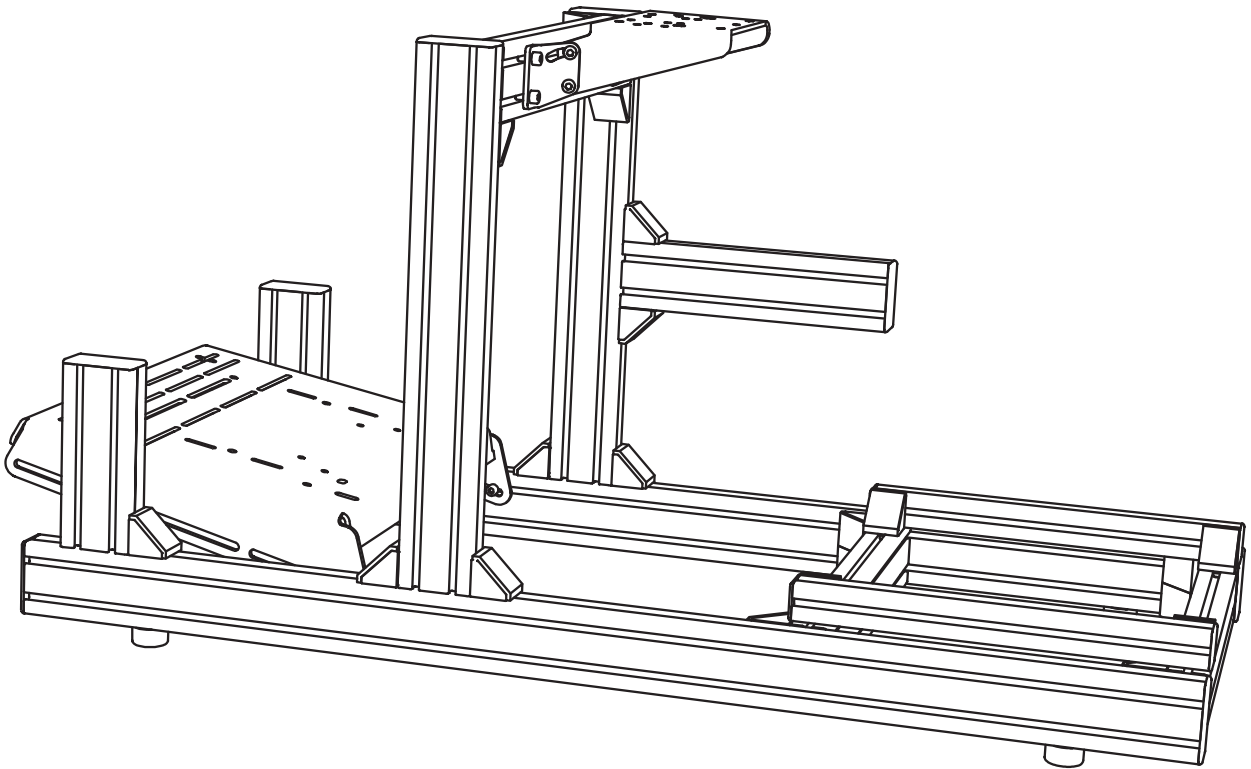


# GT1-EVO

## INSTRUCTION MANUAL



SKU: **SLC001**

<https://sim-lab.eu/shop/product/slc001-gt1-evo-sim-racing-cockpit-446>

[info@sim-lab.eu](mailto:info@sim-lab.eu)



Required tools:



5/6 mm

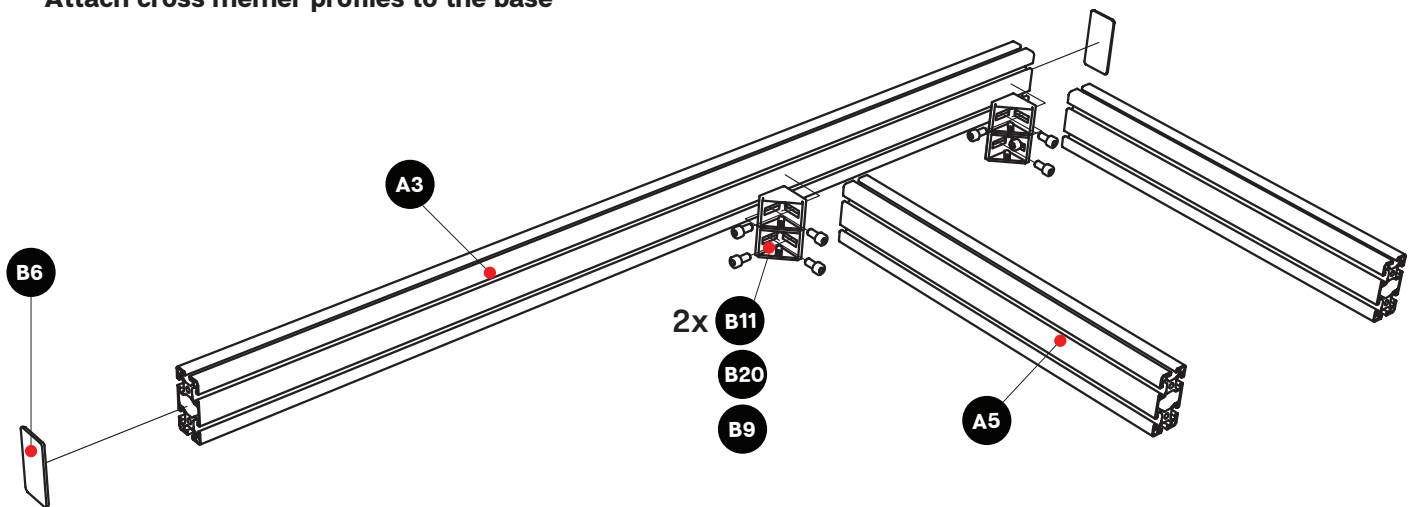


11 mm



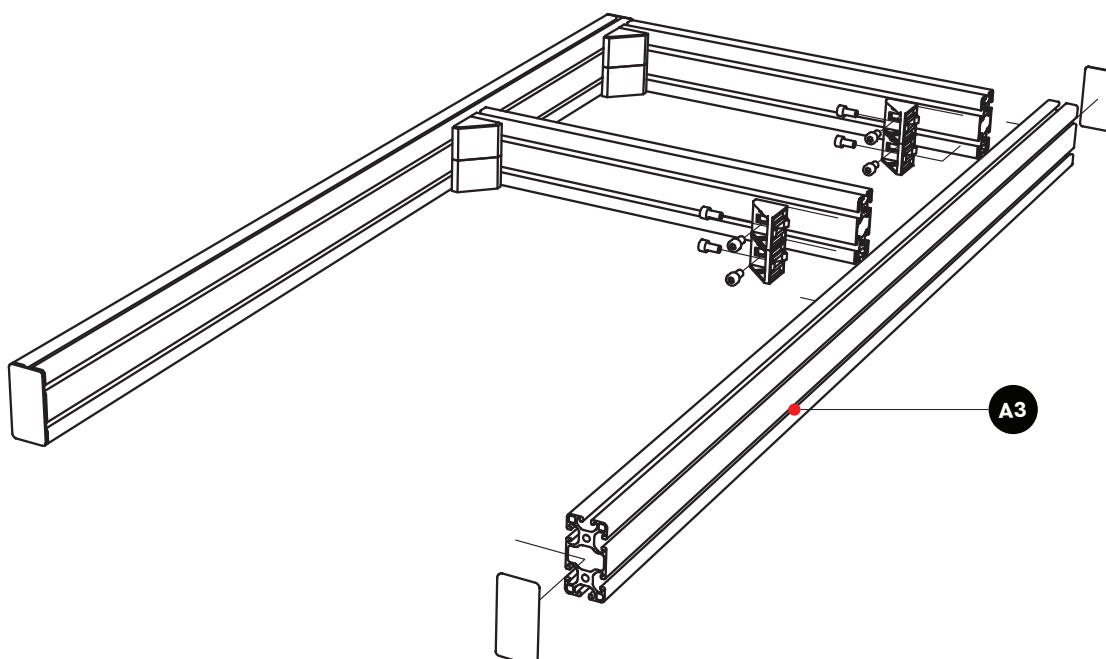
# STEP 1

Attach cross member profiles to the base



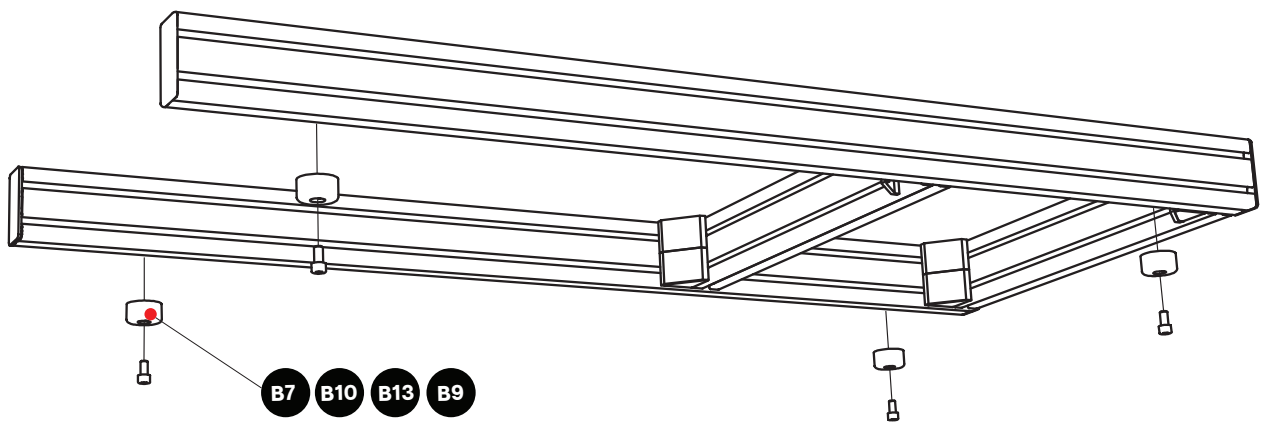
# STEP 2

Attach second base profile to the assembly



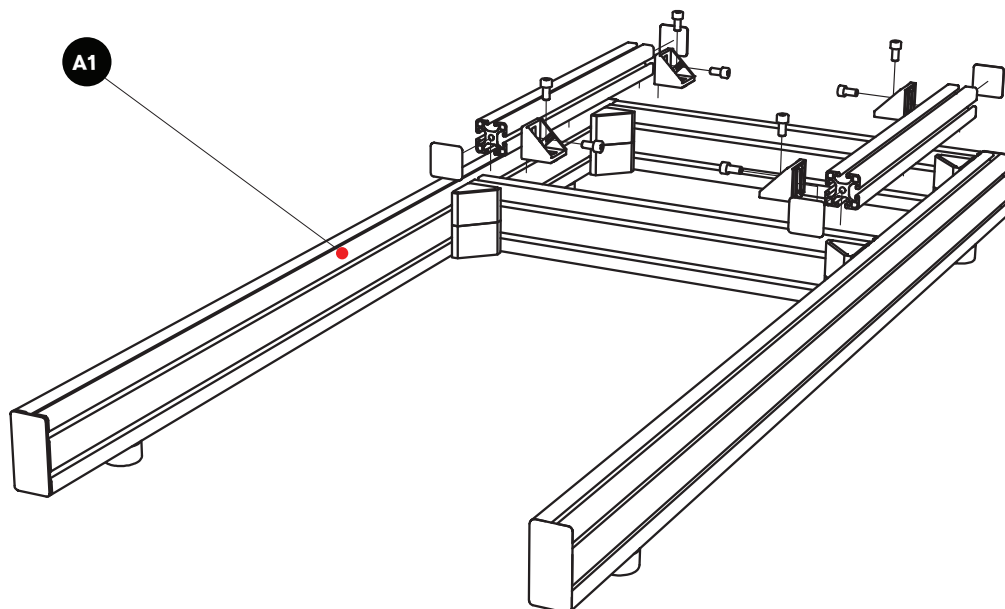
# STEP 3

Once the base frame is assembled, attach the rubber feet to the ottom



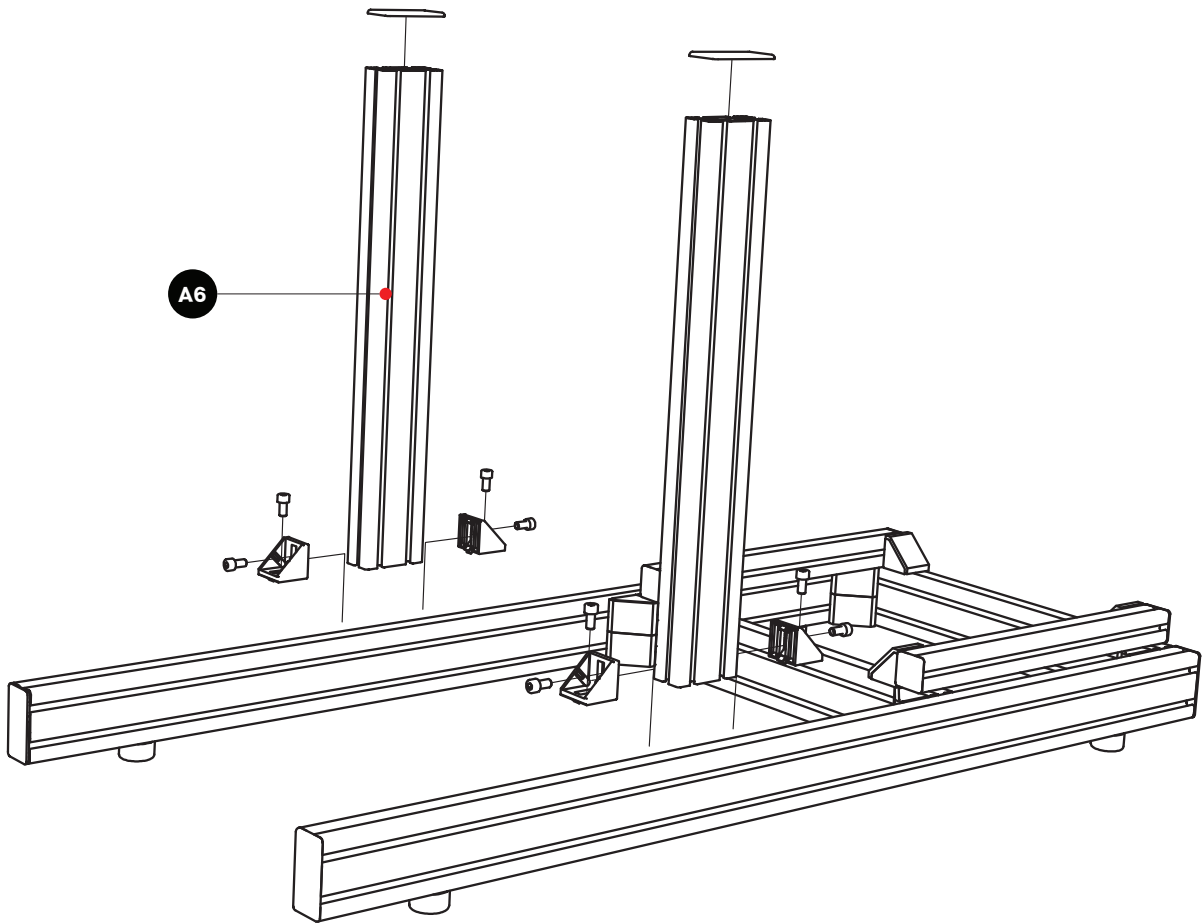
# STEP 4

Add seat rail profiles



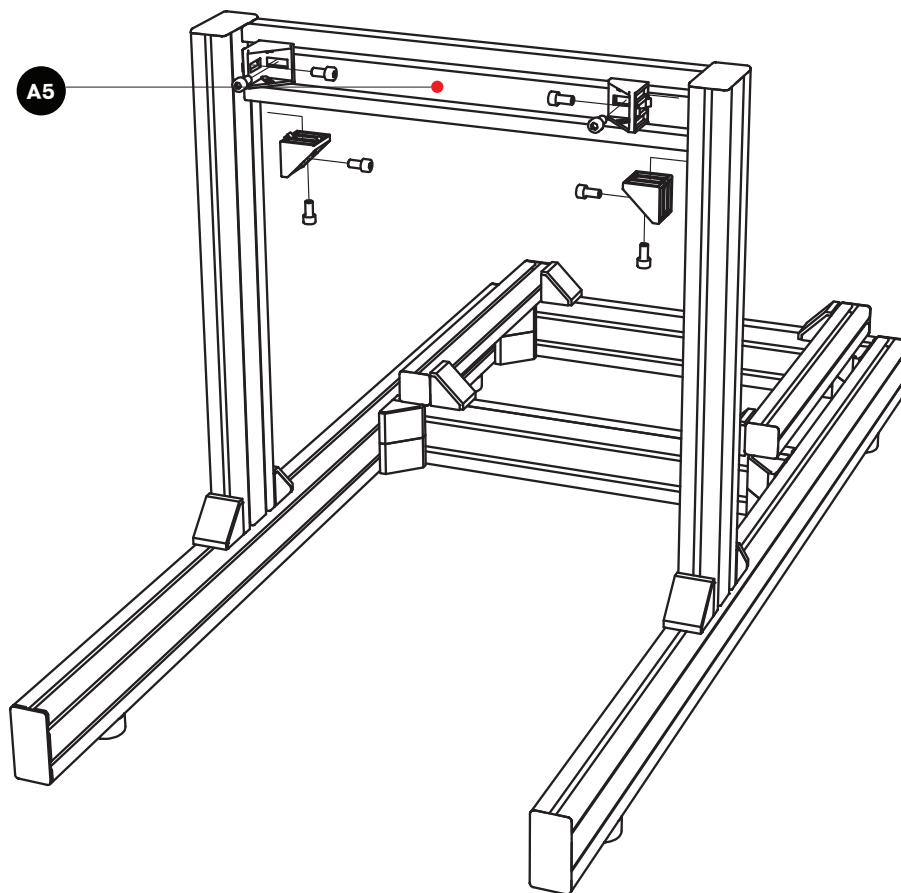
# STEP 5

Attach the uprights



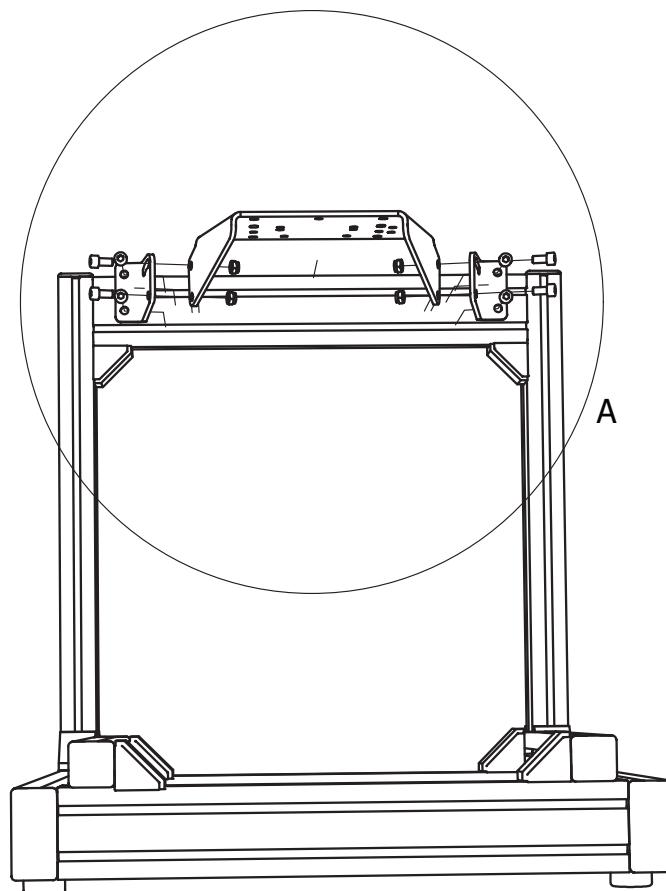
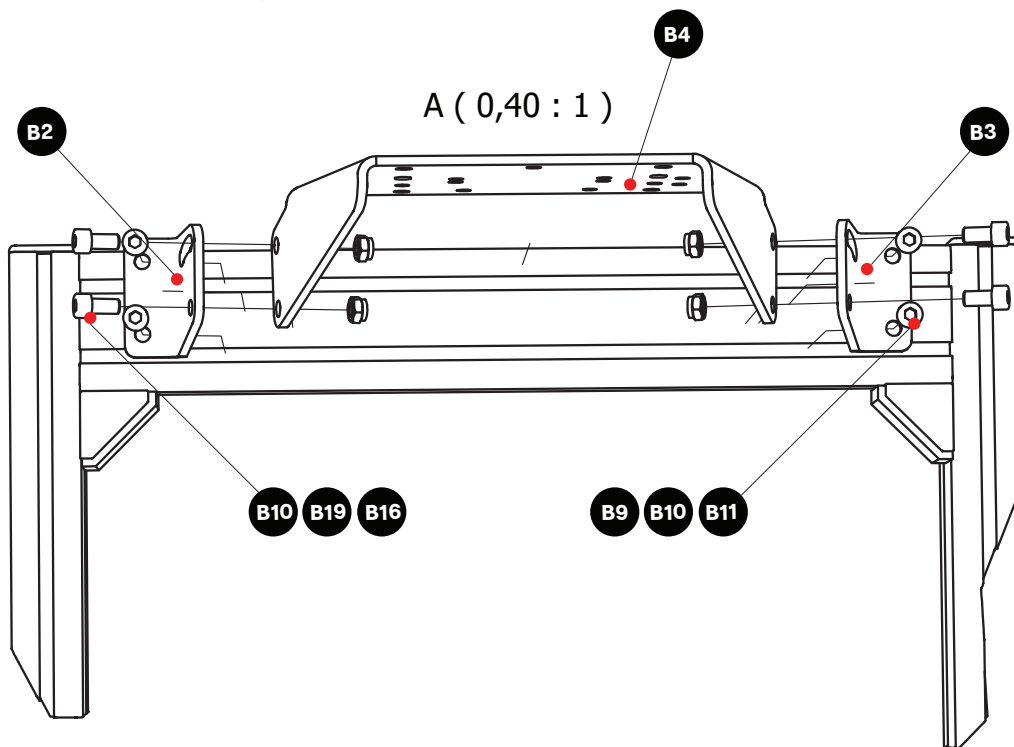
# STEP 6

Attach the wheeldeck holder profile



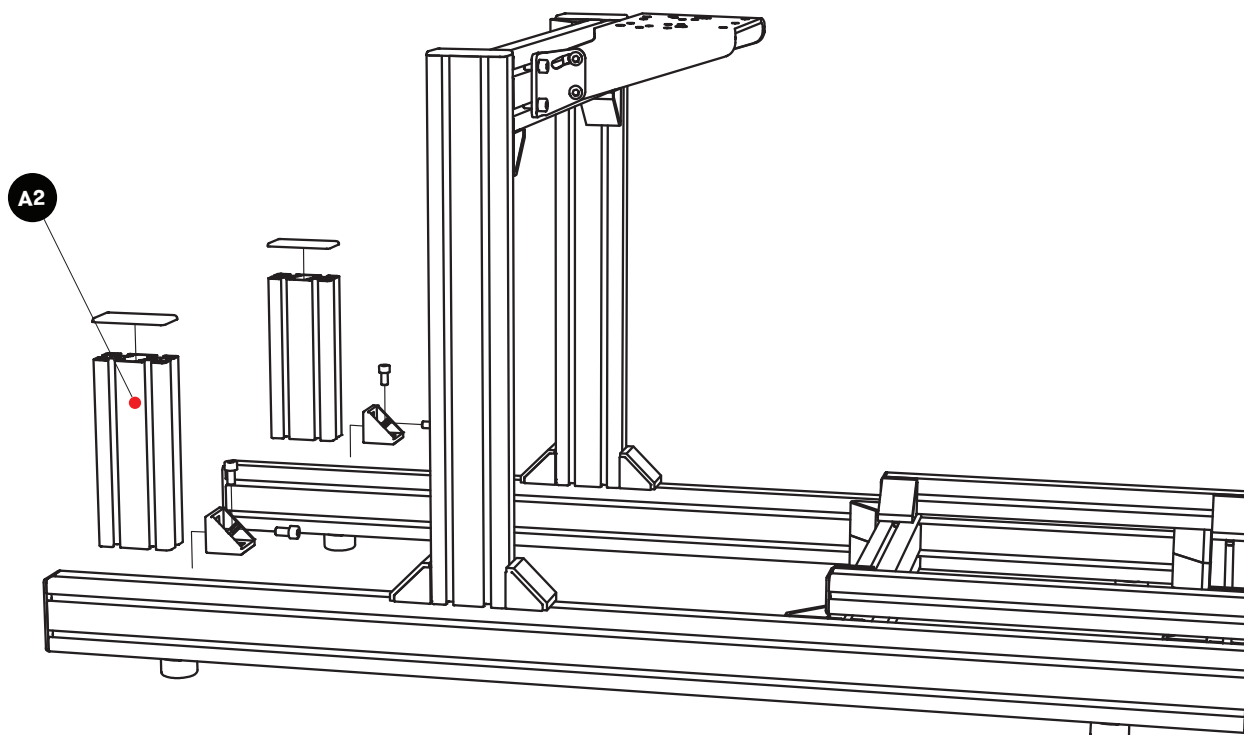
# STEP 7

Attach the wheeldeck to the profile



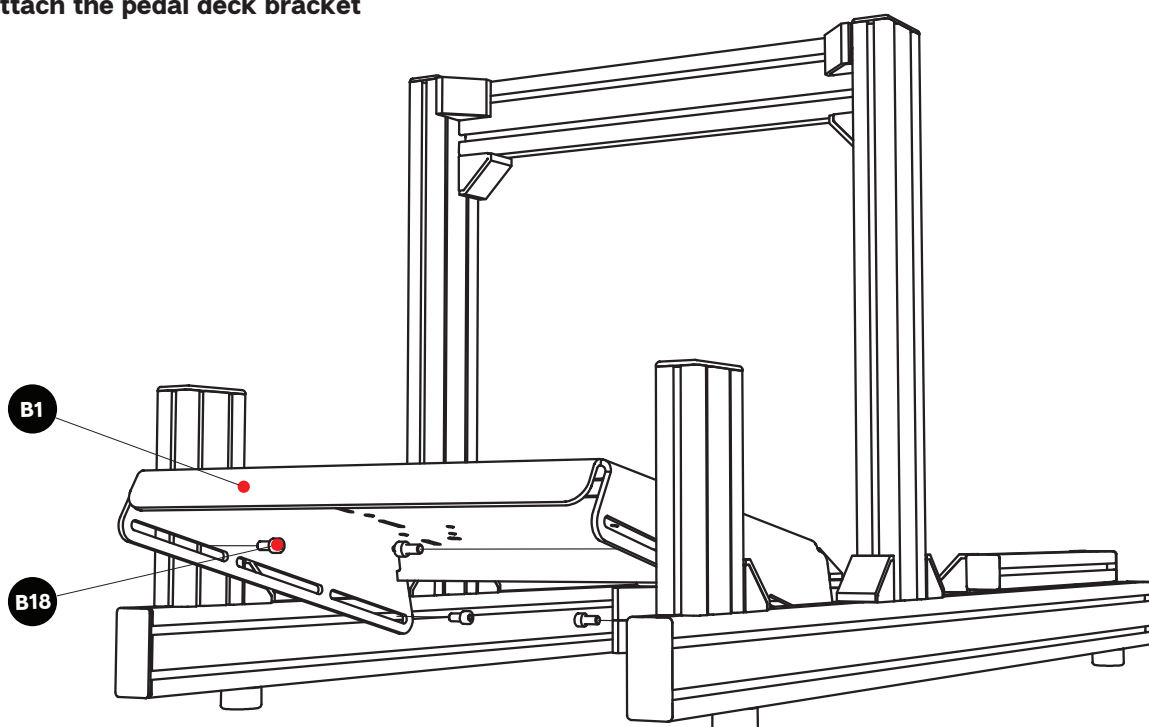
# STEP 8

Attach the pedal upright profiles



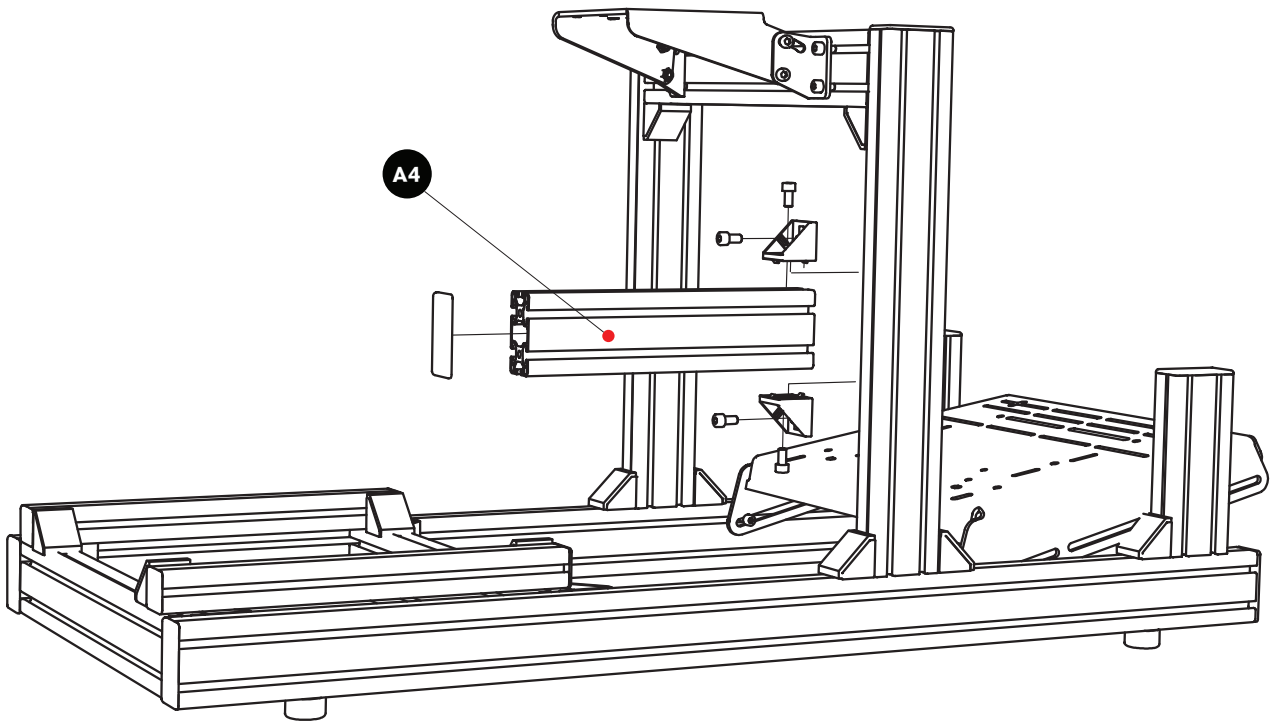
# STEP 9

Attach the pedal deck bracket



# STEP 10

Attach the side mount





# Parts list

## BOX A

### Profile kit

| Part No. | Part name                                    | QTY | UoM   | Note |
|----------|--|-----|-------|------|
| A1       | Profile 40mm slot 8 (Black, 40x40L) - 500mm  | 2   | Units |      |
| A2       | Profile 40mm slot 8 (Black, 40x80L) - 200mm  | 2   | Units |      |
| A3       | Profile 40mm slot 8 (Black, 40x80L) - 1350mm | 2   | Units |      |
| A4       | Profile 40mm slot 8 (Black, 40x80L) - 400mm  | 1   | Units |      |
| A5       | Profile 40mm slot 8 (Black, 40x80L) - 500mm  | 3   | Units |      |
| A6       | Profile 40mm slot 8 (Black, 40x80L) - 580mm  | 2   | Units |      |

## BOX B

### Hardware kit

| Part No. | Part name                              | QTY | UoM   | Note |
|----------|--|-----|-------|------|
| B1       | GT1 EVO pedal deck                     | 1   | Units |      |
| B2       | GT1 EVO wheeldeck pivot plate (LEFT)   | 1   | Units |      |
| B3       | GT1 EVO wheeldeck pivot plate (RIGHT)  | 1   | Units |      |
| B4       | GT1 EVO wheeldeck plate                | 1   | Units |      |
| B5       | End cap profile (40x40L)               | 4   | Units |      |
| B6       | End cap profile (40x80L)               | 9   | Units |      |
| B7       | Rubber feet                            | 4   | Units |      |
| B8       | Slot 8 nut (M6)                        | 12  | Units |      |
| B9       | Slot 8 nut (M8)                        | 75  | Units |      |
| B10      | Washer (Black steel, M8, Plain black)  | 12  | Units |      |
| B11      | Bolt - DIN 912 (Black steel, 16mm, M8) | 72  | Units |      |
| B12      | Bolt - DIN 912 (Black steel, 16mm, M6) | 10  | Units |      |
| B13      | Bolt - DIN 912 (Black steel, 20mm, M6) | 20  | Units |      |
| B14      | Bolt - DIN 912 (Black steel, 25mm, M5) | 12  | Units |      |
| B15      | Bolt - DIN 912 (Black steel, 12mm, M8) | 4   | Units |      |
| B16      | Bolt - DIN 912 (Black steel, 20mm, M8) | 8   | Units |      |
| B17      | Nut (M5, DIN 985 locknut, Galvanised)  | 12  | Units |      |
| B18      | Nut (M6, DIN 985 locknut, Galvanised)  | 12  | Units |      |
| B19      | Nut (M8, DIN 985 locknut, Galvanised)  | 8   | Units |      |
| B20      | Corner bracket + cover cap             | 28  | Units |      |