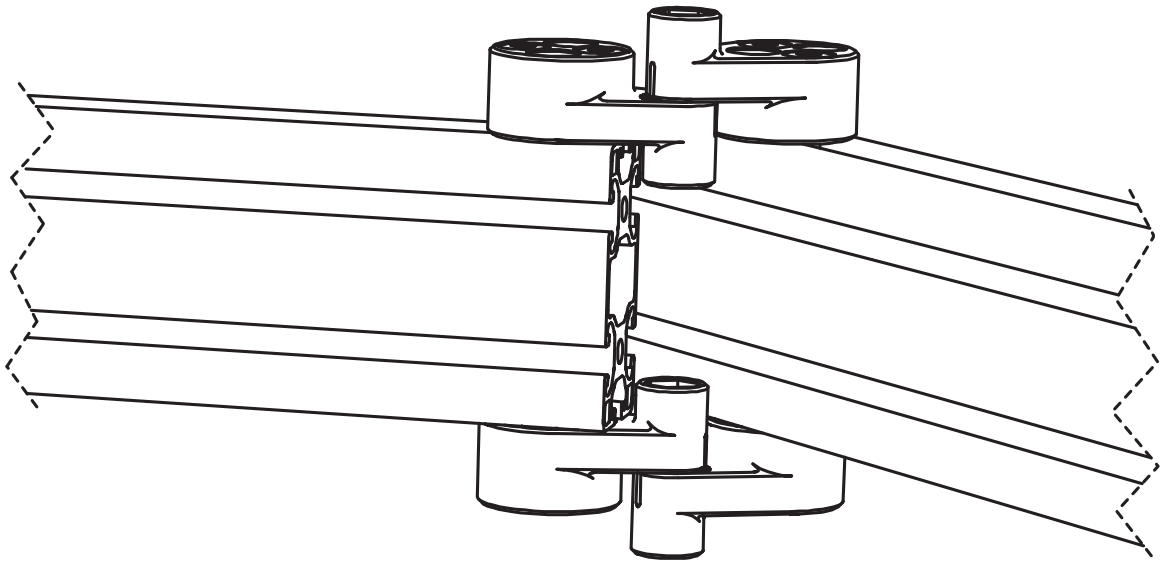


XERO-PLAY™

Triple pivot adapters set

INSTRUCTION MANUAL



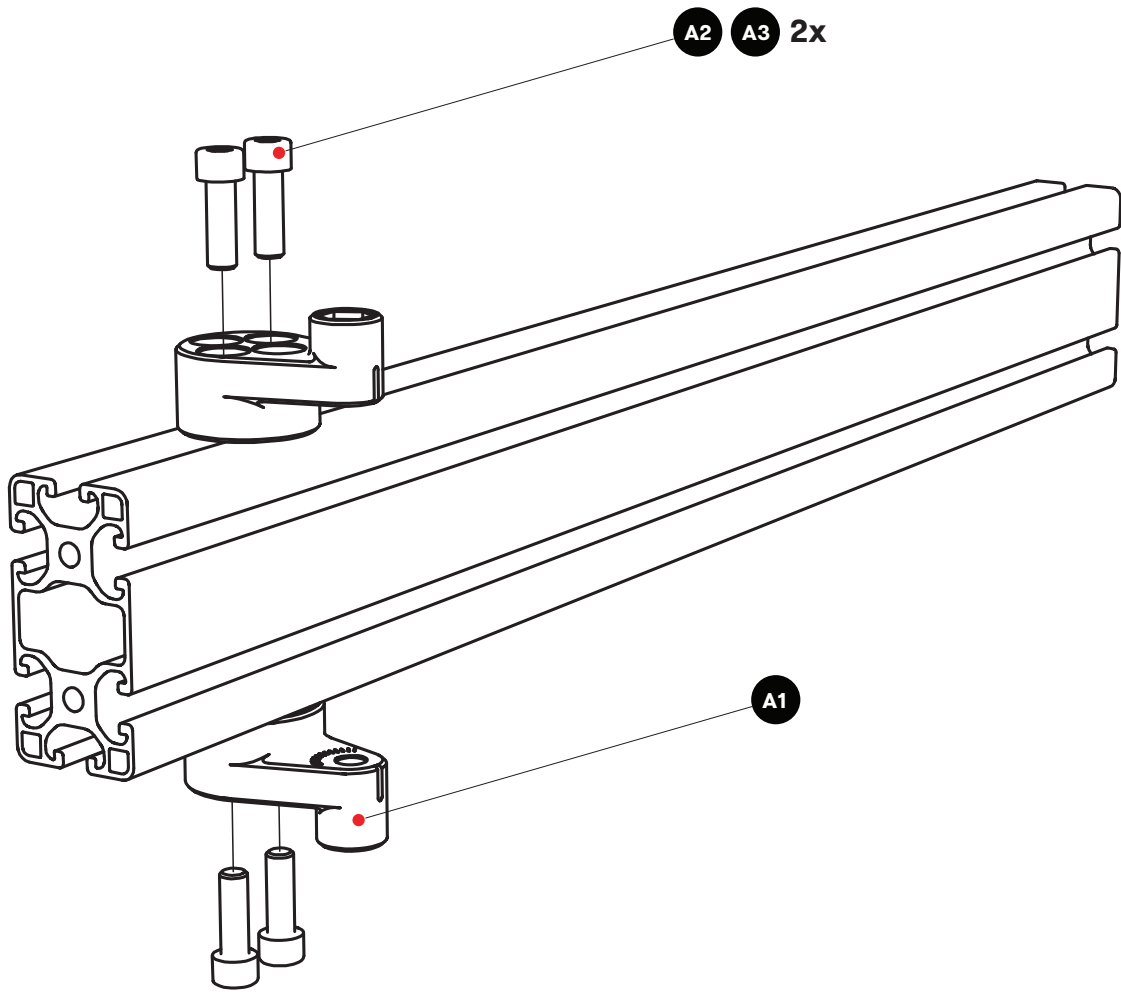
SKU: **SLA115**

<https://sim-lab.eu/shop/product/sla115-xero-playtm-triple-pivot-adapters-set-1374>
info@sim-lab.eu



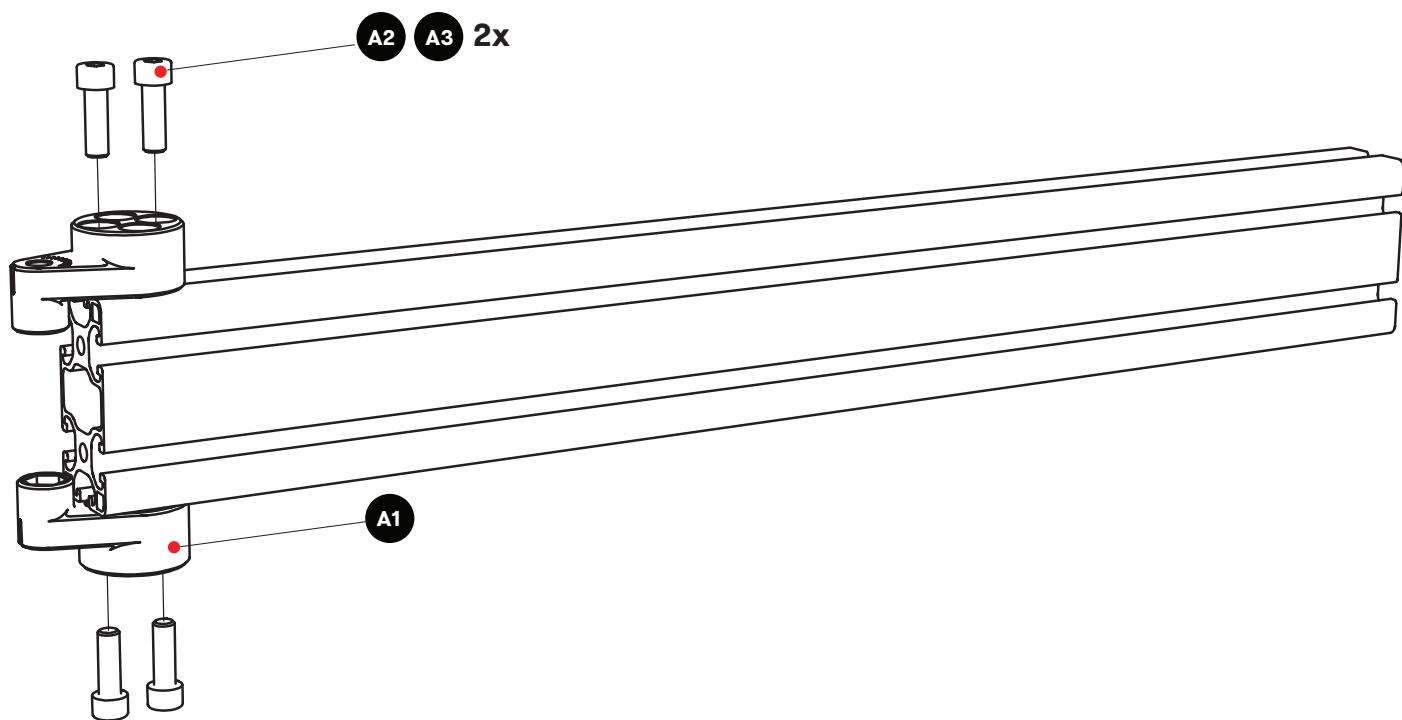
STEP 1

Mount the adapters to the crossbar



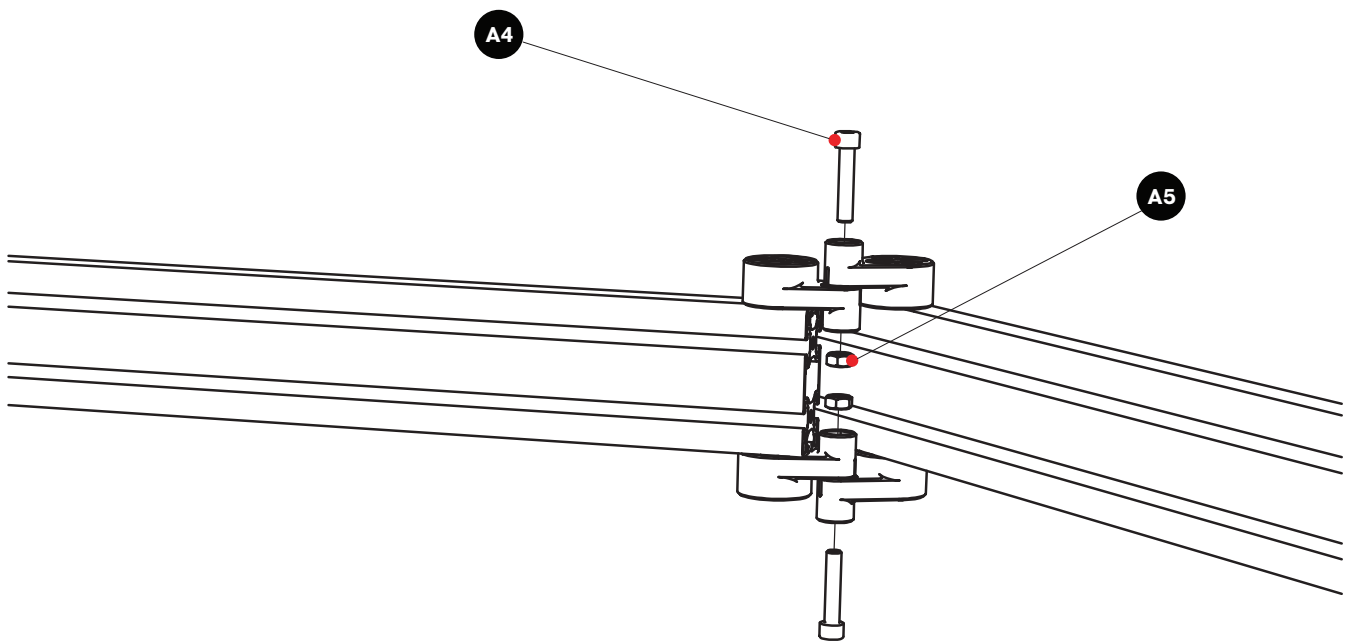
STEP 2

Mount the adapters to the side arms



STEP 3

Connect crossbar and side arms



Parts list

Base Adapter (Motor side) - Black / Red / Blue			
Part No.	Part name	QTY	UoM
A1	Triple pivot adapters	8	Units
A2	Slot 8 nut (M8)	16	Units
A3	Bolt - DIN 912 (Back steel, 25mm, M8)	16	Units
A4	Bolt - DIN 912 (Back steel, 40mm, M8)	4	Units
A5	Nut (M8, DIN 934, plain black)	4	Units