

Profile kit

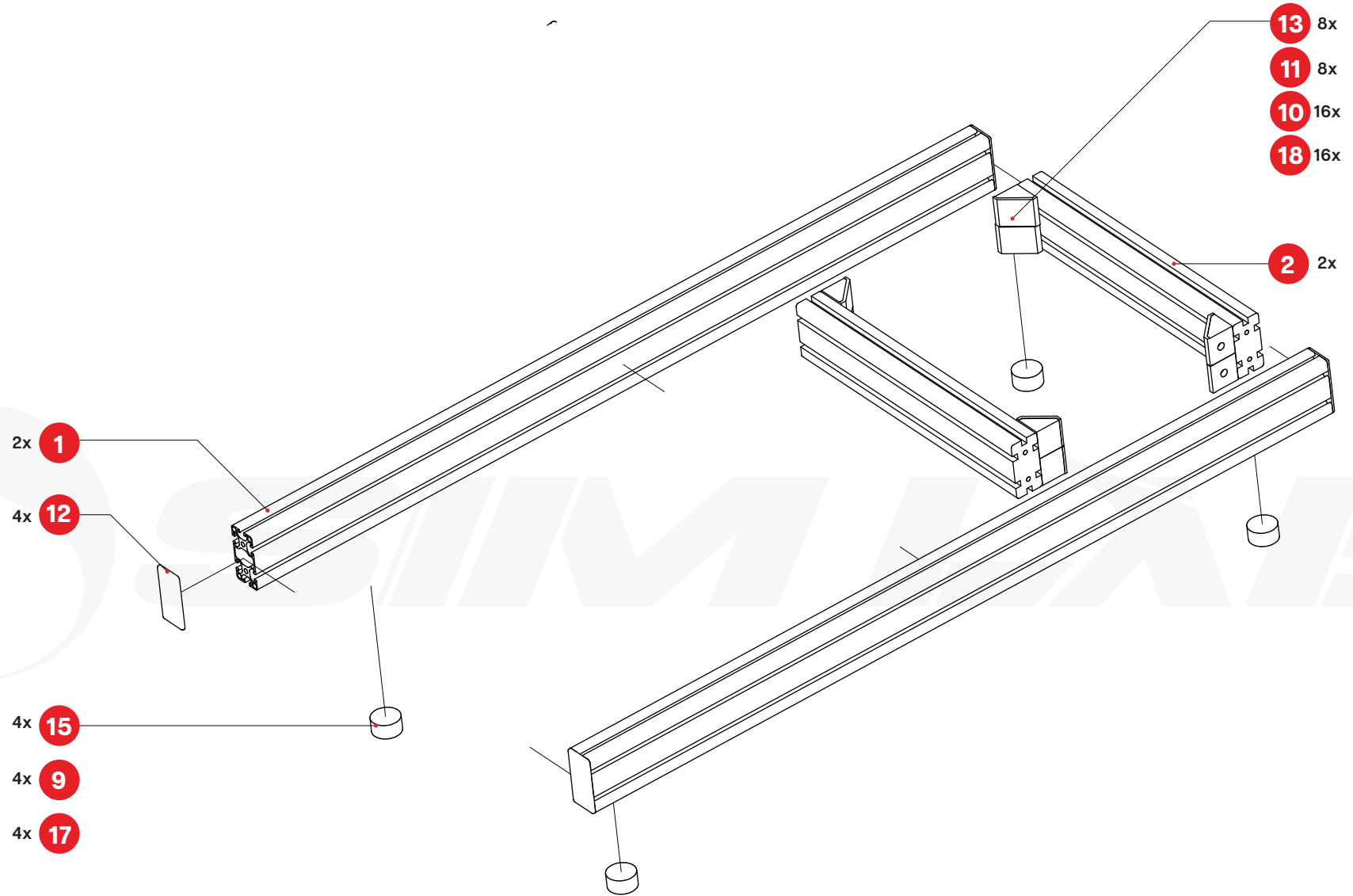
#	Image	Profile type	Length	Note	Qty
1		40x80 L	1200mm	Base	2
2		40x80 L	420mm	Cross	2
3		40x80 L	460mm	Uprights	2

Hardware kit

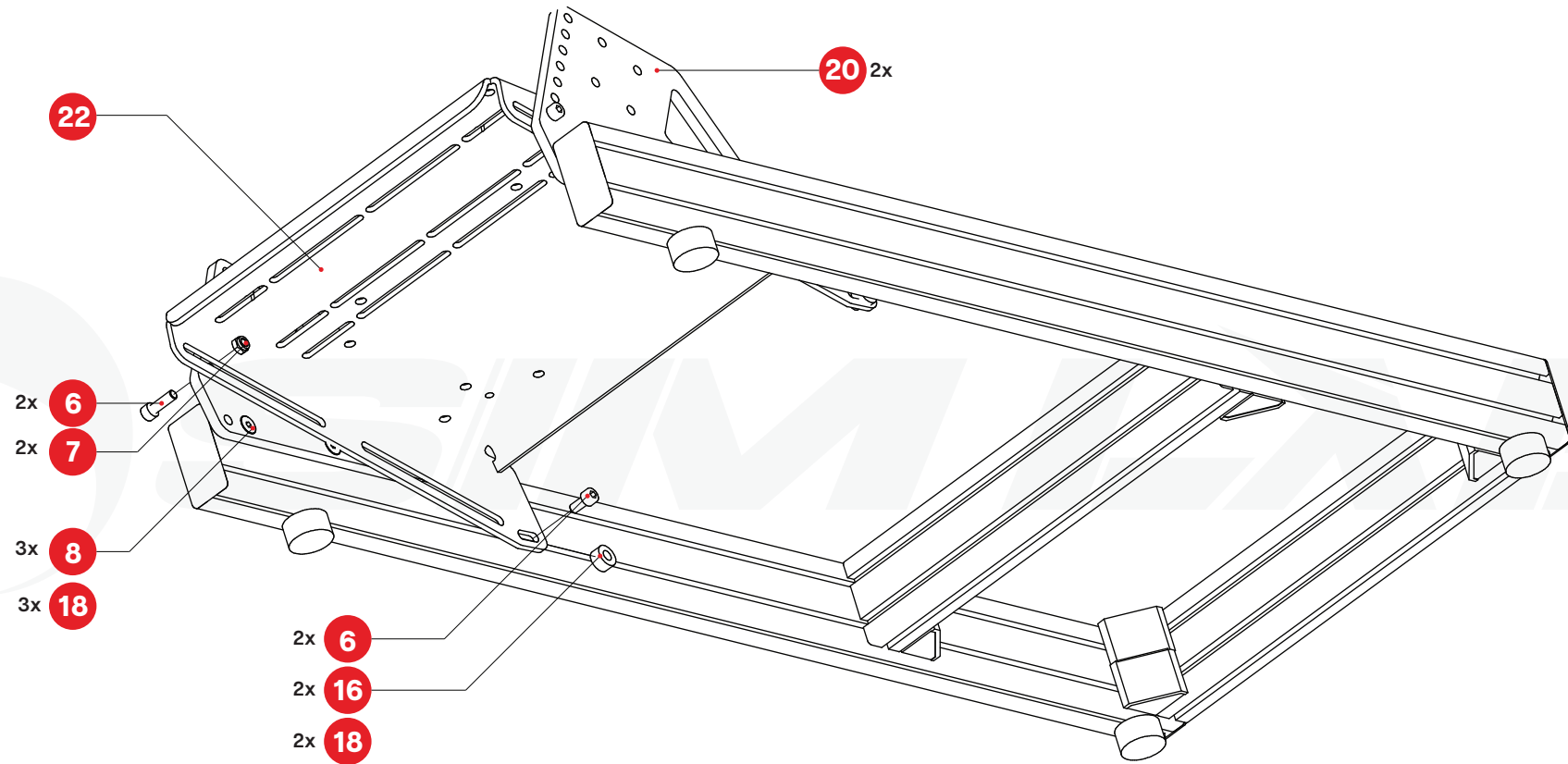
#	Image	Name	Note	QTY
4		Cilindrical socket head M8x16	black, steel	4
5		Cilindrical socket head M8x20	black, steel	10
6		Cilindrical socket head M8x25	black, steel	4
7		NUT M8 DIN 985	galvanised	8
8		Countersunk bolt M8x20	black, steel	30
9		Socket head bolt M6x20		4
10		Cilindrical socket head M8x16	galvanised	20
11		Cover cap 40x40		8
12		Cover Cap 40 x 80		8
13		Corner bracket 40x40		8
14		Handle M8x20		2
15		Rubber feet Ø40x20mm		4
16		Sleeve 20 x 10 x 8.5 mm	black, plastic	2
17		Slot nut M6		20
18		Slot nut M8		50
19		Red cover strip for slot 8 mm profile		2
20		TR1 pedal deck brackets (triangular)		2
21		TR1 brace		1
22		TR1 pedal deck		1
23		TR1 side bracket upright		2
24		TR1 wheeldeck		1

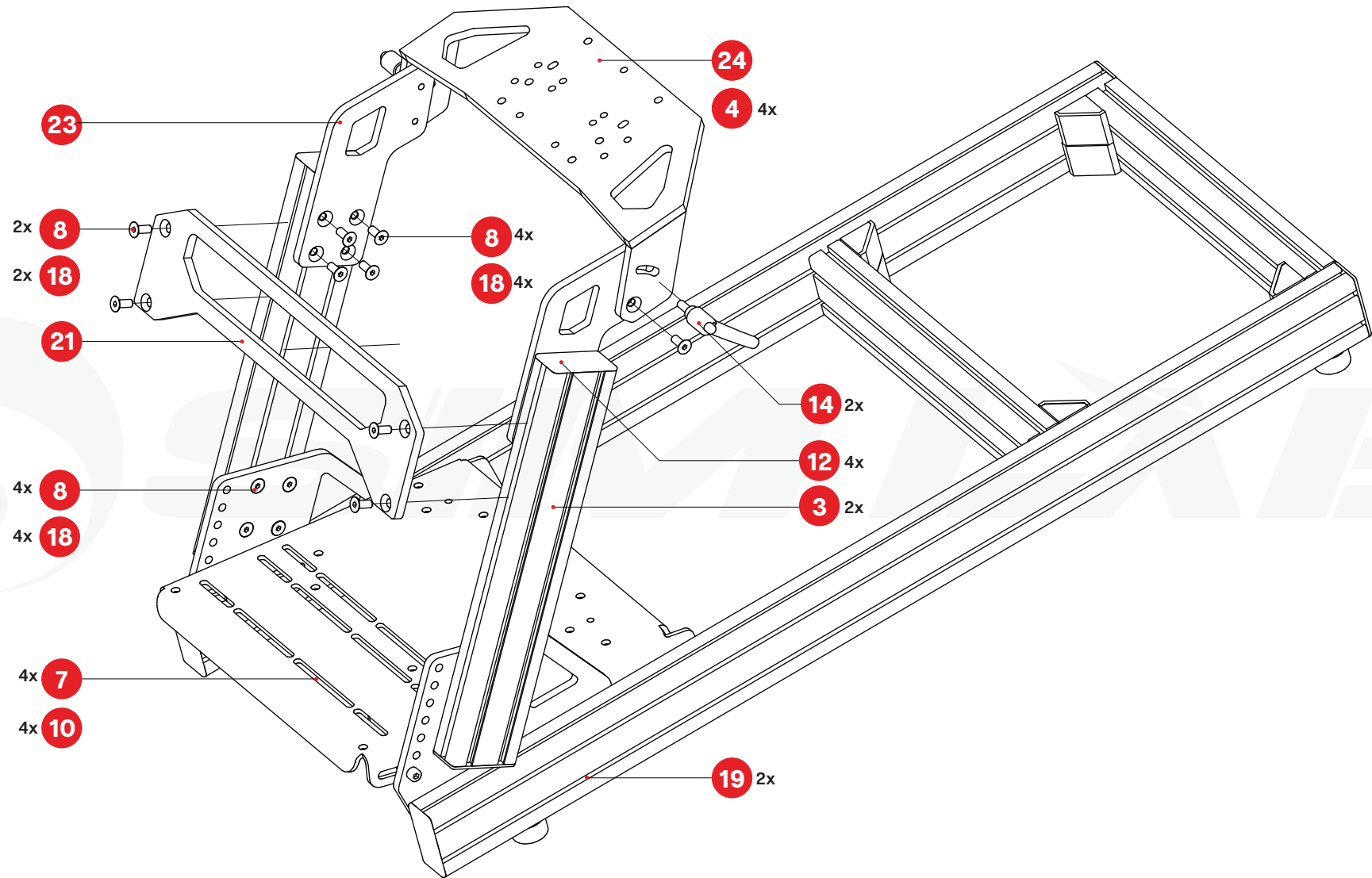


TR1 sim racing chassis
revision 2.0



TR1 sim racing chassis
revision 2.0





TR1 sim racing chassis
revision 2.0