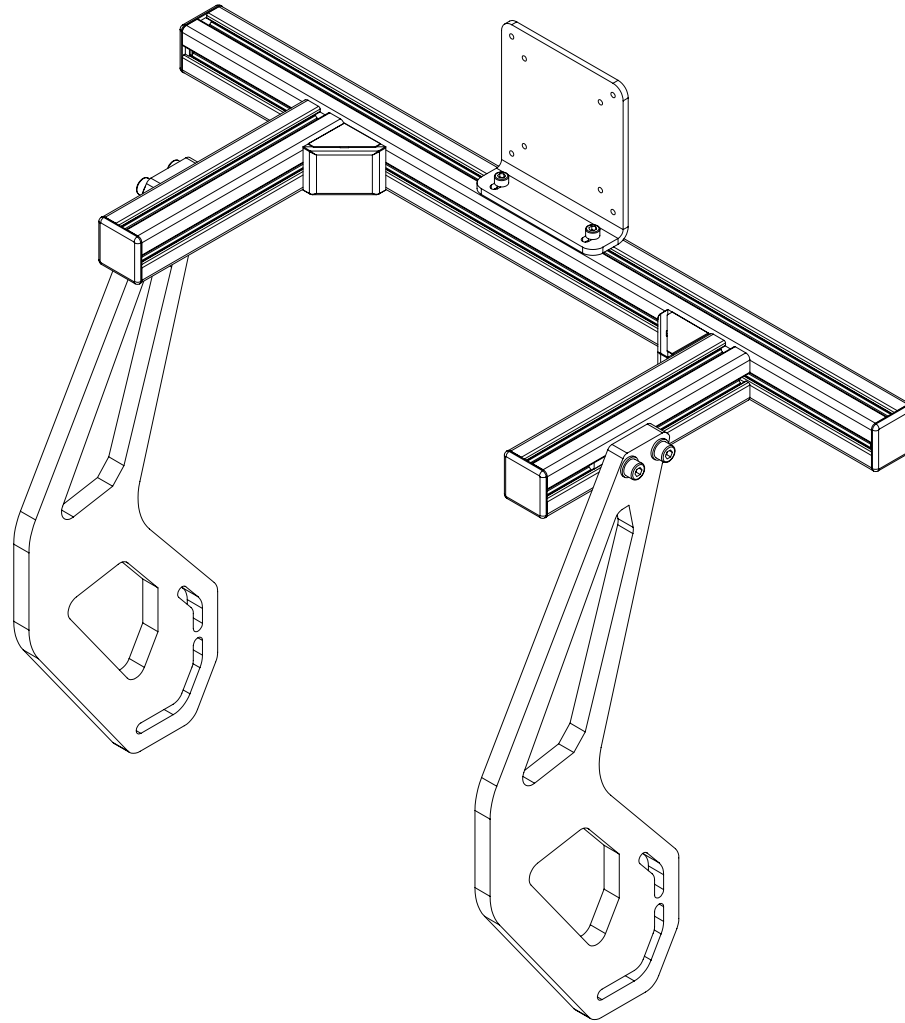


SIM LAB

INSTRUCTION MANUAL



INTEGRATED MONITOR MOUNT VESA 75/100

VERSION 2.0

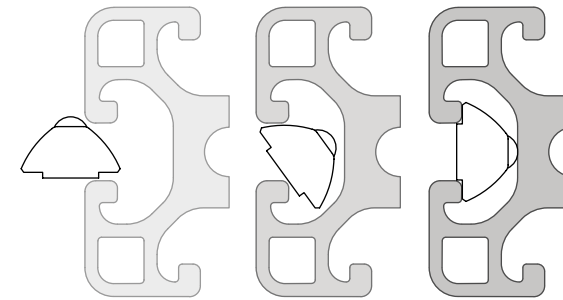
Last updated: 05-11-2021

BEFORE YOU START:

Thank you for purchasing this Sim-Lab product! On the following pages, you will find detailed instructions on assembly. This requires only a set of simple tools and some of your time. Please check the bill of materials before starting (page 10) and make sure all the parts are delivered.


Inserting Slot-Nuts:

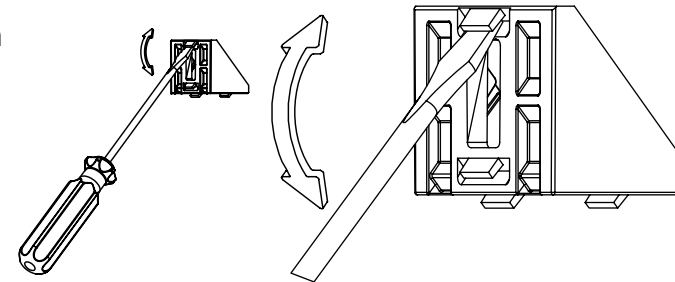
You got excited, finished the build, put the caps on, but forgot to install one element. Do not worry. It happens to everyone. In this diagram, you can see how to insert a Slot-Nut directly into the slot from the side. You can also use one of your smaller Hex wrenches to help wiggle the Slot-Nut in place.



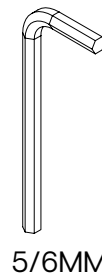
Breaking tabs:

Sometimes tabs from corner brackets need to be broken off in order to fit as instructed. Place a flathead screwdriver behind the tab and tilt upwards.

Always make sure to point away from you while doing so. To know when to do this, we will show the following symbol  next to the brackets.



Tools needed:



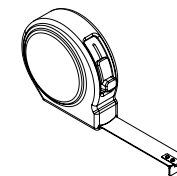
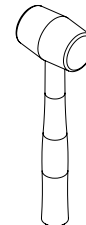
5/6MM

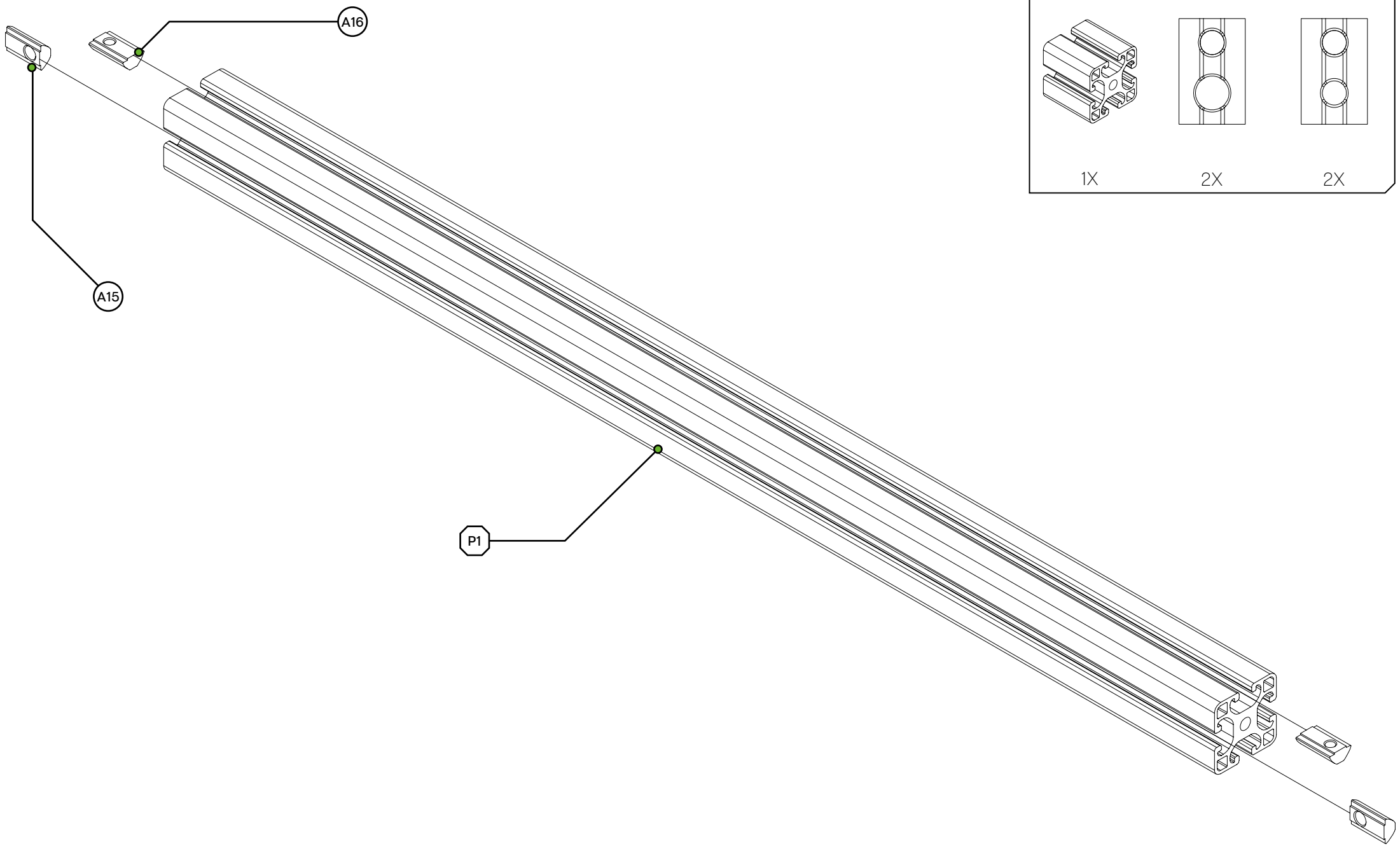


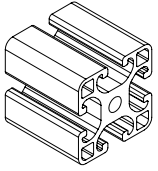
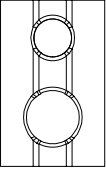
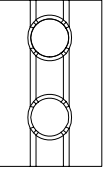
—

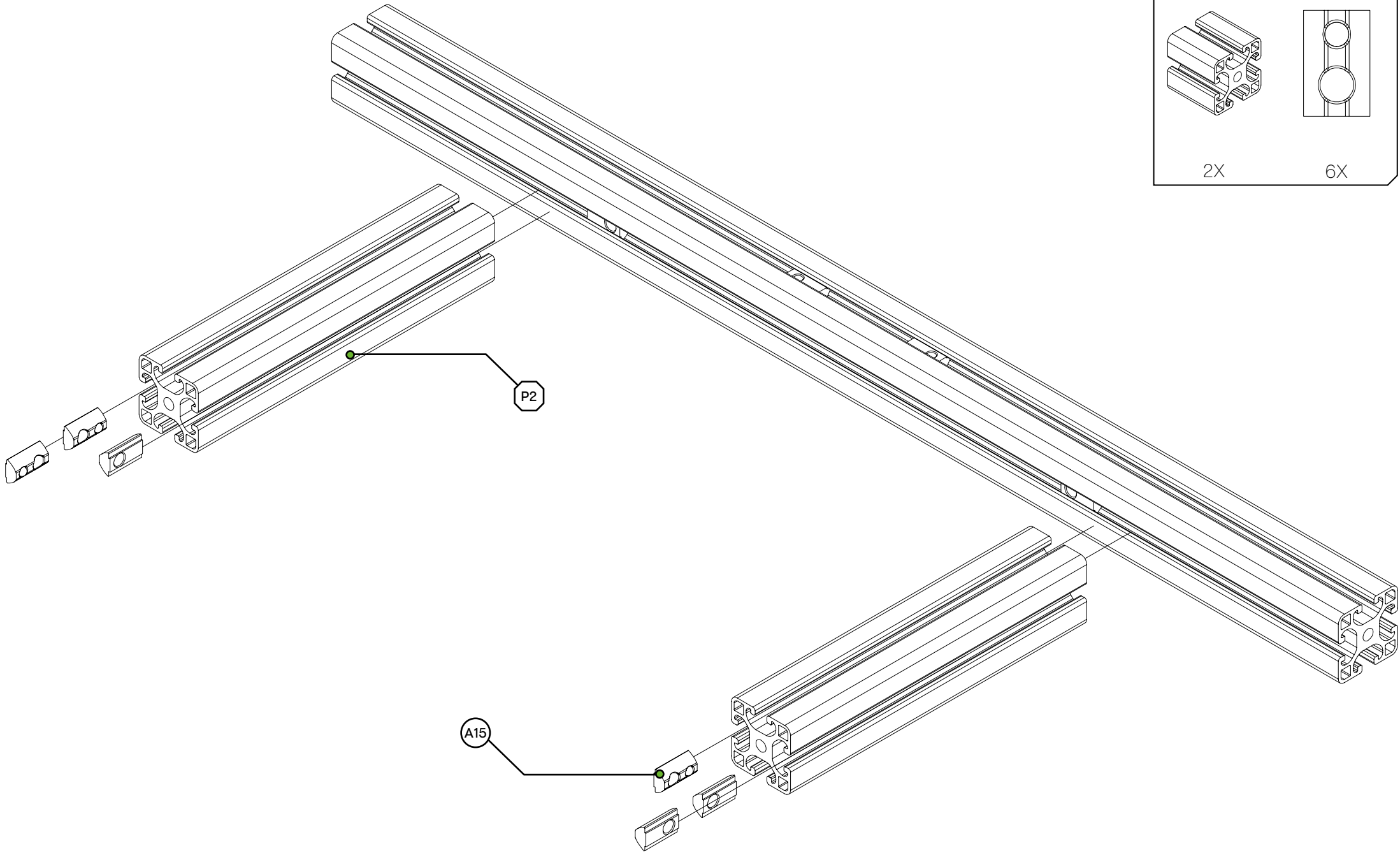
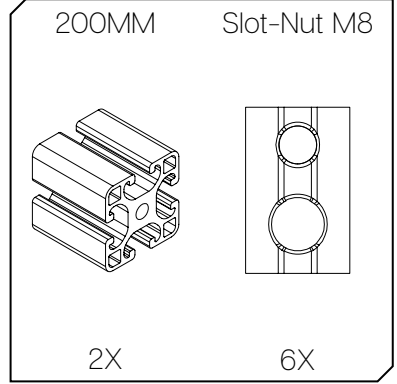


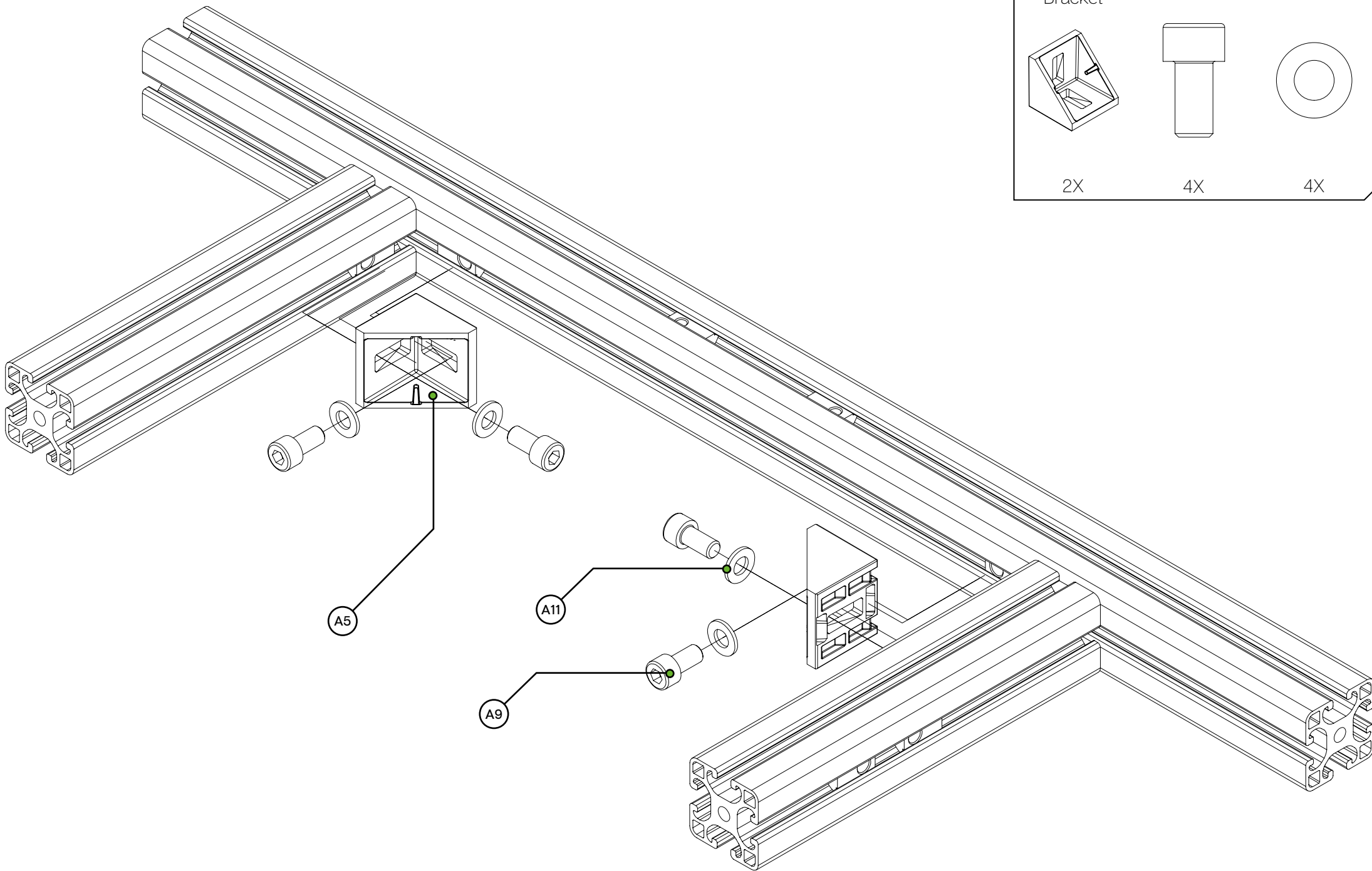
+

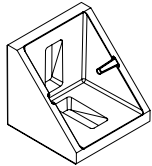
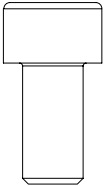
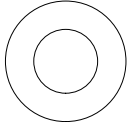


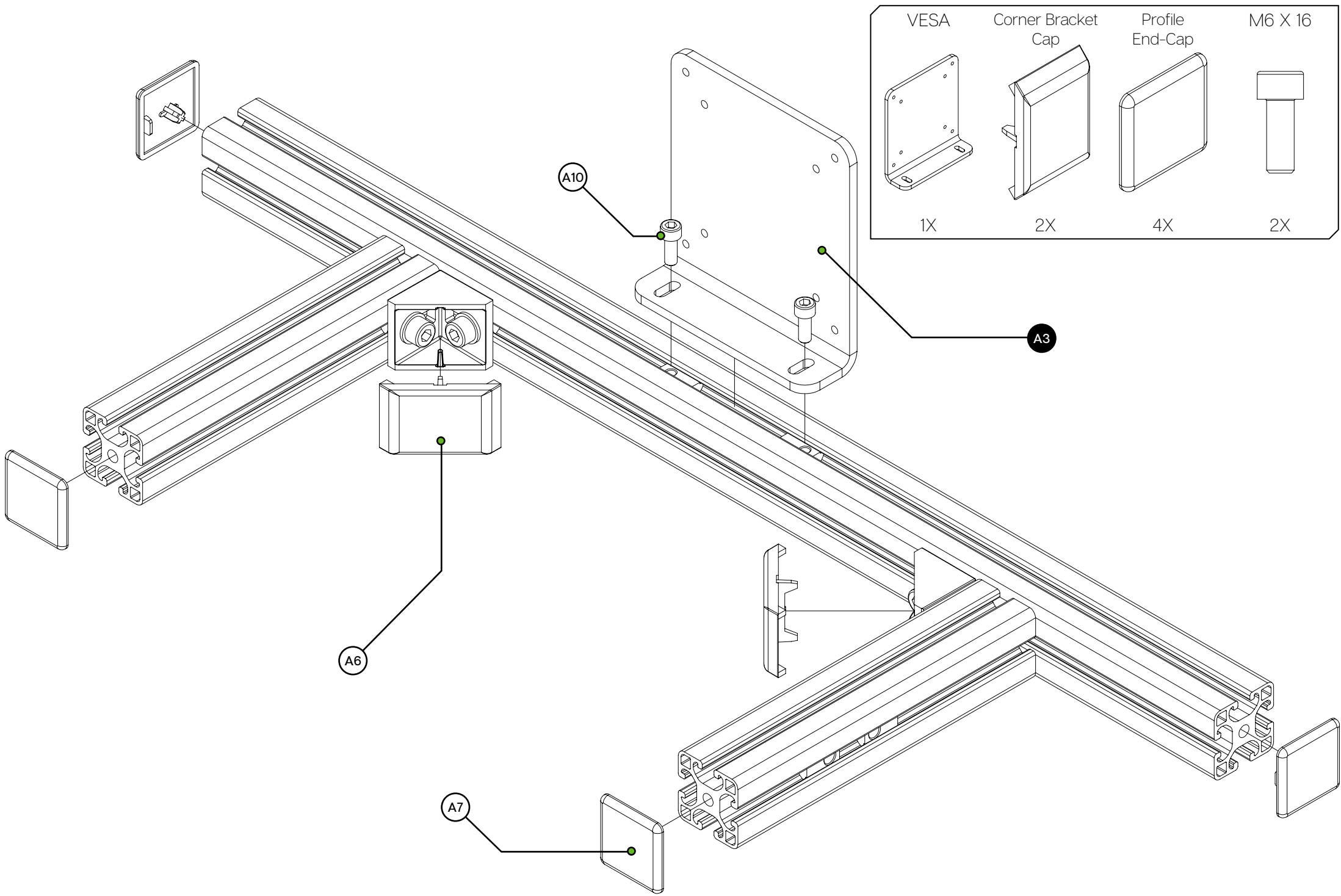


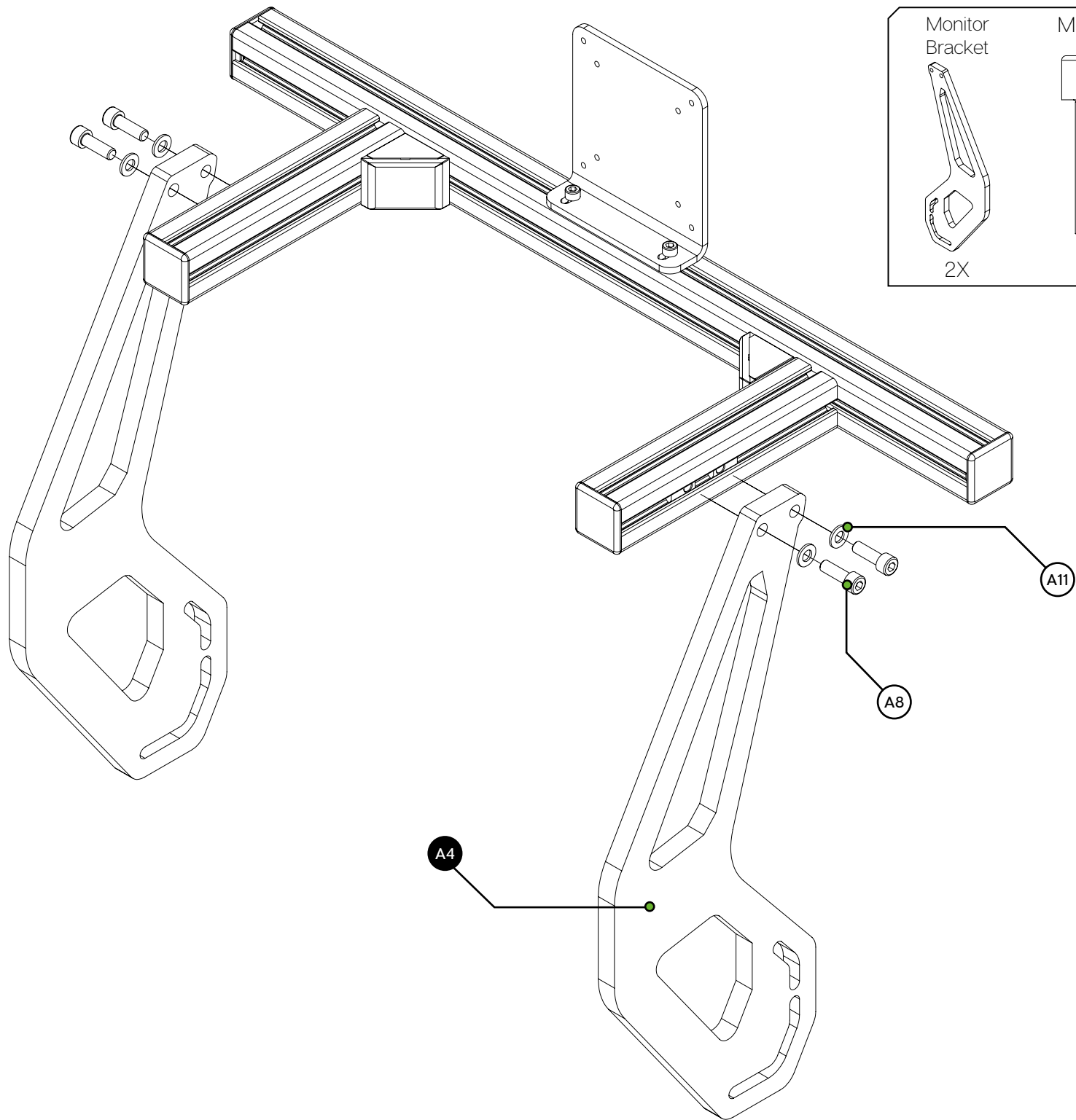
680MM	Slot-Nut M8 (A15)	Slot-Nut M6 (A16)
		
1X	2X	2X

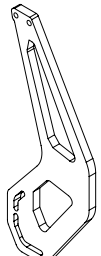
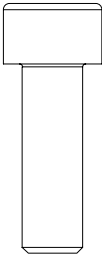
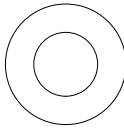




Corner Bracket	M8 X 16	Washer M8
		
2X	4X	4X

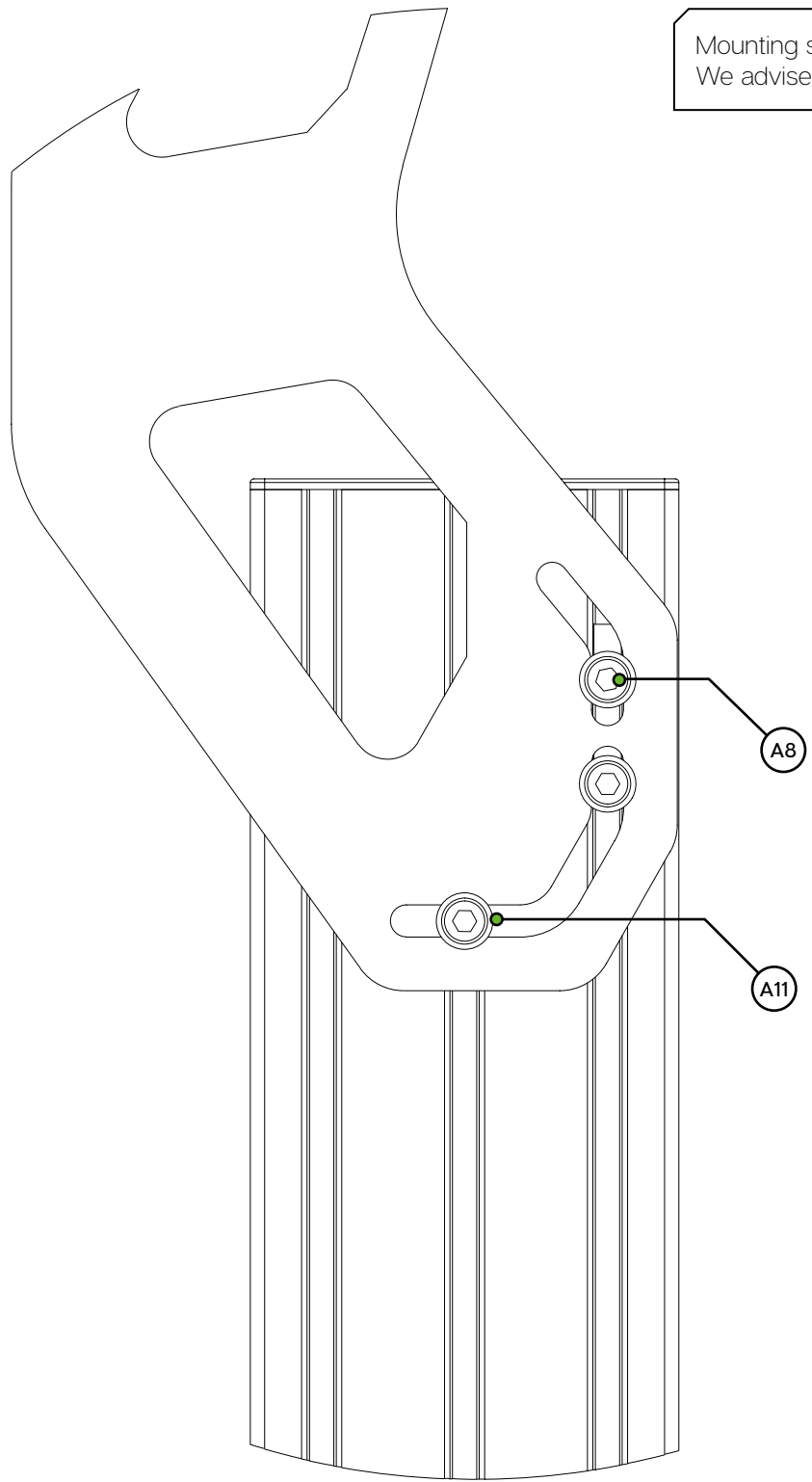
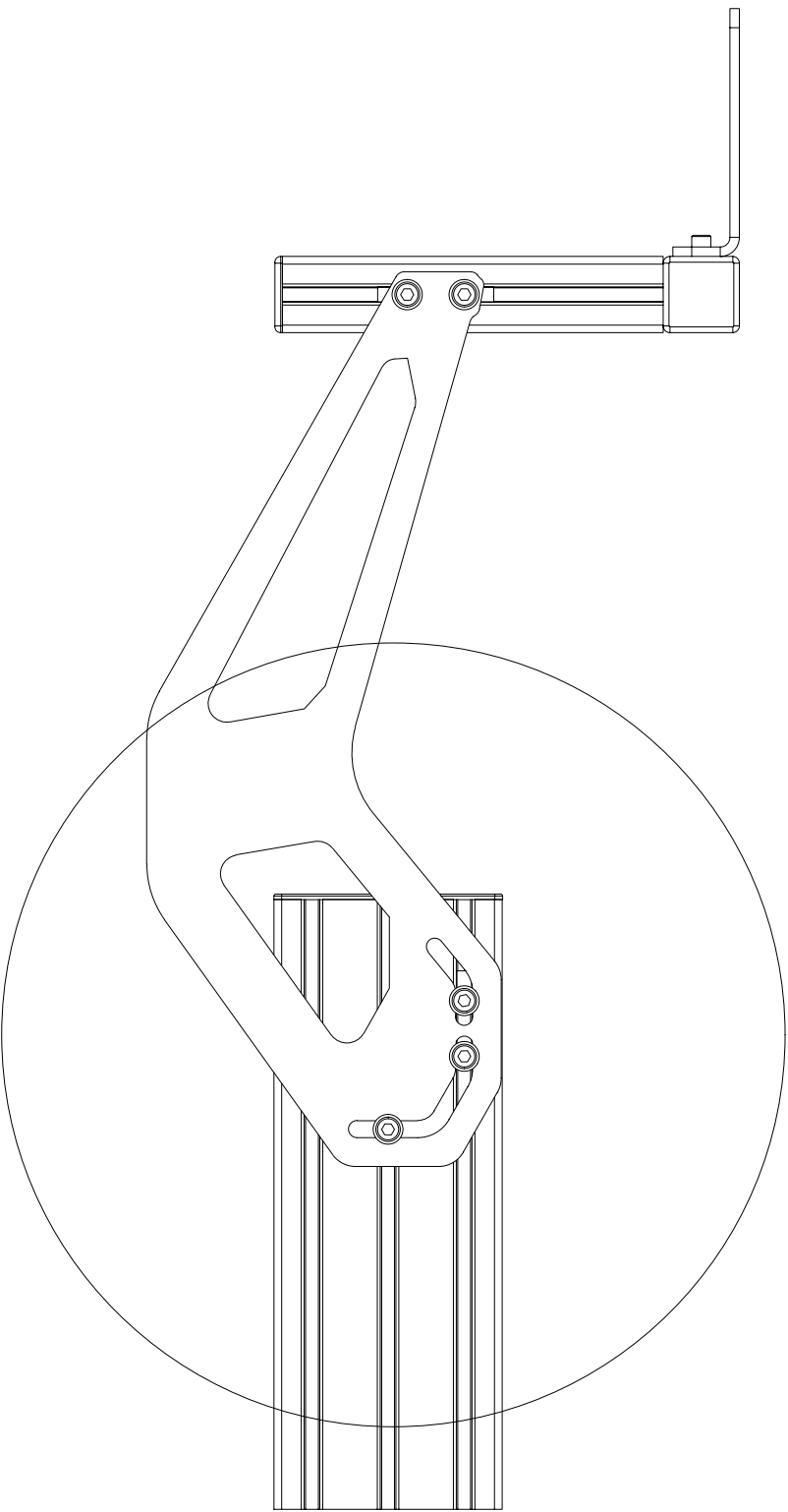




Monitor Bracket	M8 X 25	Washer M8
		
2X	4X	4X

PROFILE KIT			
#	Part	QTY	Note
P1	40X40 Length=680mm	1	
P2	40X40 Length=200mm	2	
HARDWARE KIT			
A3	VESA bracket L-shape	1	
A4	Integrated monitor bracket	2	
A5	Corner bracket 40x40	2	
A6	Corner bracket 40x40 cap	2	
A7	Profile 40x40 end-cap	4	
A8	Bolt M8 X 25 DIN 912	10	
A9	Bolt M8 X 16 DIN 912	4	
A10	Bolt M6 X 16 DIN 912	2	
A11	Washer M8 DIN 125-A	16	
A12	Screw Philips M4 X 16 DIN 7985	4	Extra
A13	Screw Philips M4 X 10 DIN 7985	4	Extra
A14	Spacer male/female M4 X 10	4	Extra
A15	Slot-Nut M8	16	
A16	Slot-Nut M6	2	
<i>Disclaimer: for some entries on this list, we supply more than required as spare materials. Don't worry if you have some leftovers, this is intentional.</i>			

Mounting suggestion:
We advise to divide three bolts over two profile slots.



If you still have some questions regarding assembly of this product or about the manual itself, please refer to our support department. They can be reached at

support@sim-lab.eu

Alternatively, we now have a Discord server where there are quite some experienced Sim-Lab customers hanging out. They might just help you along if you ask them nicely ;)

<https://discord.gg/Myj4c8dZ>

If you feel like printing this manual, please consider the environment before doing so. For the best results, make sure you print at 100% scale without borders.

Product page on the Sim-Lab website:

