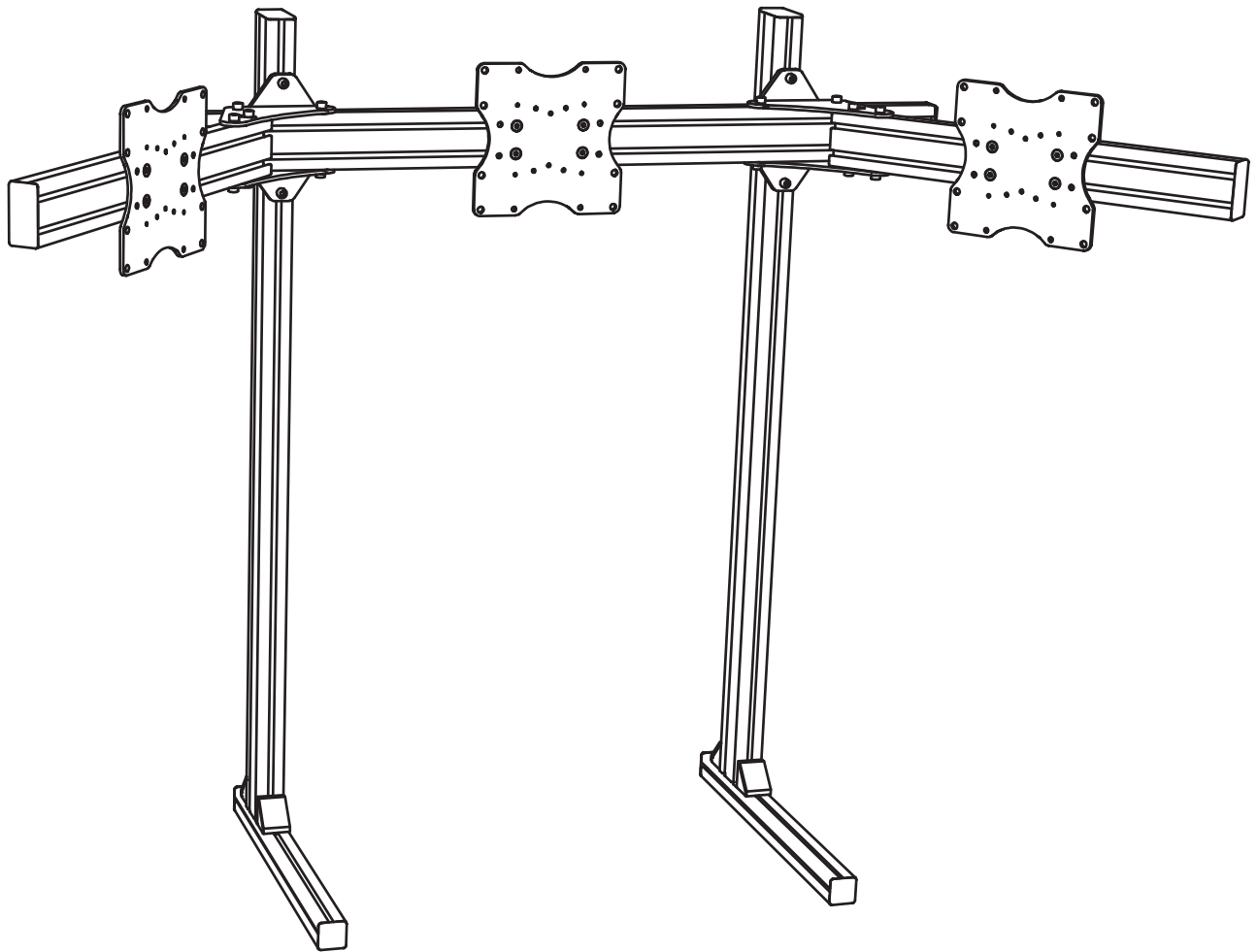


Triple monitor mount

INSTRUCTION MANUAL



SKU: **SLT014** **SLT015**

<https://sim-lab.eu/shop/product/triple-monitor-mount-19-42-vesa-675>

info@sim-lab.eu



Required tools:



5/6 mm



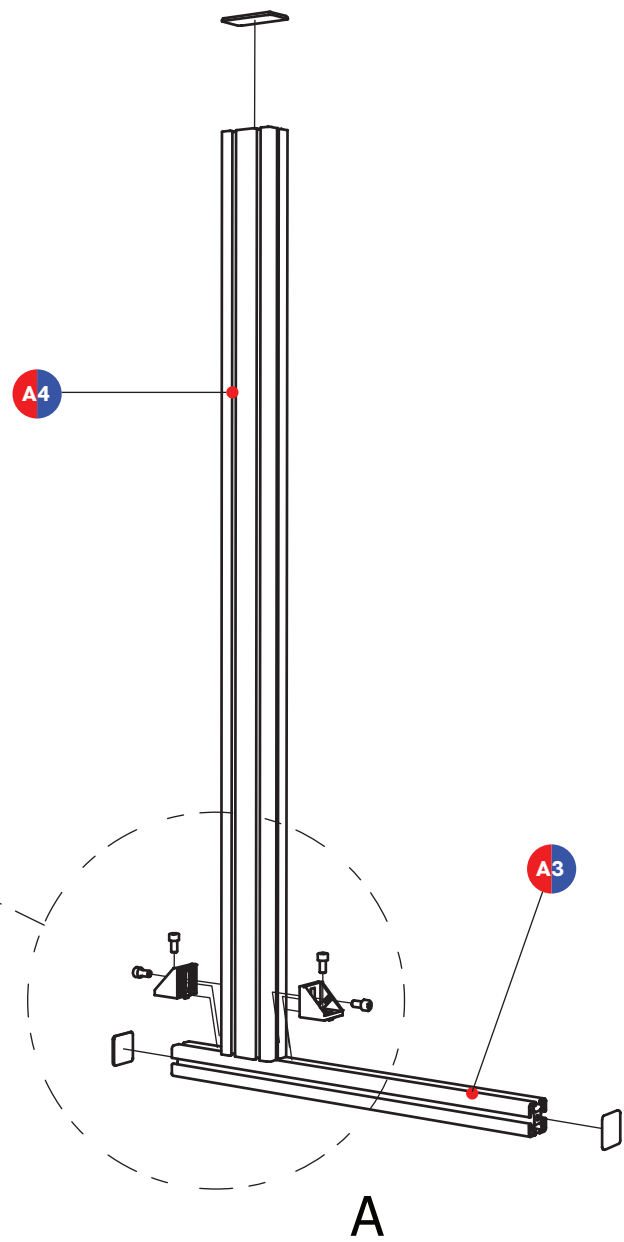
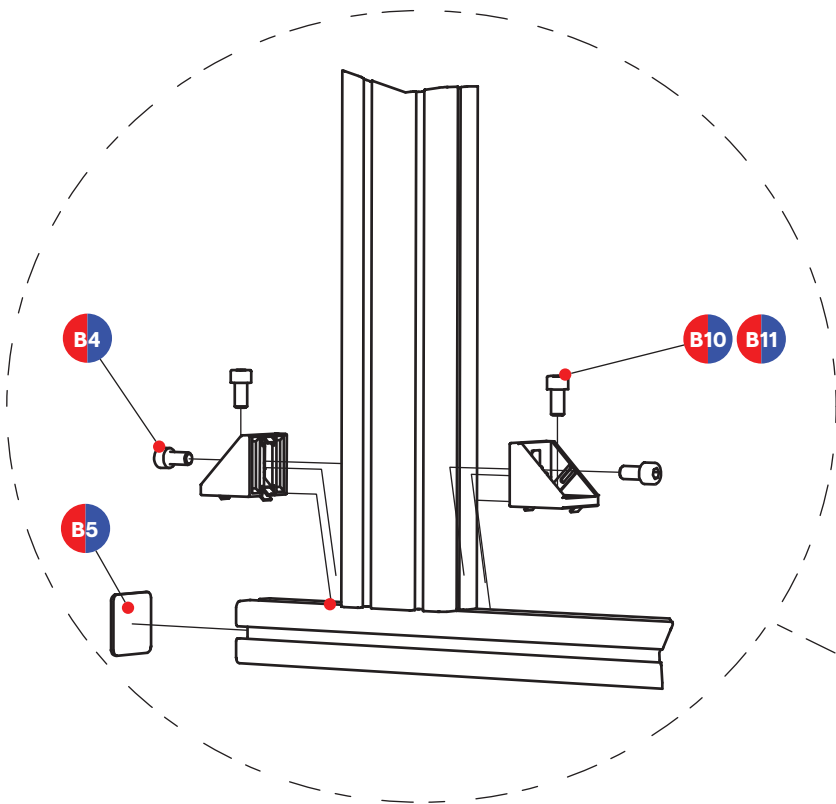
11 mm



STEP 1

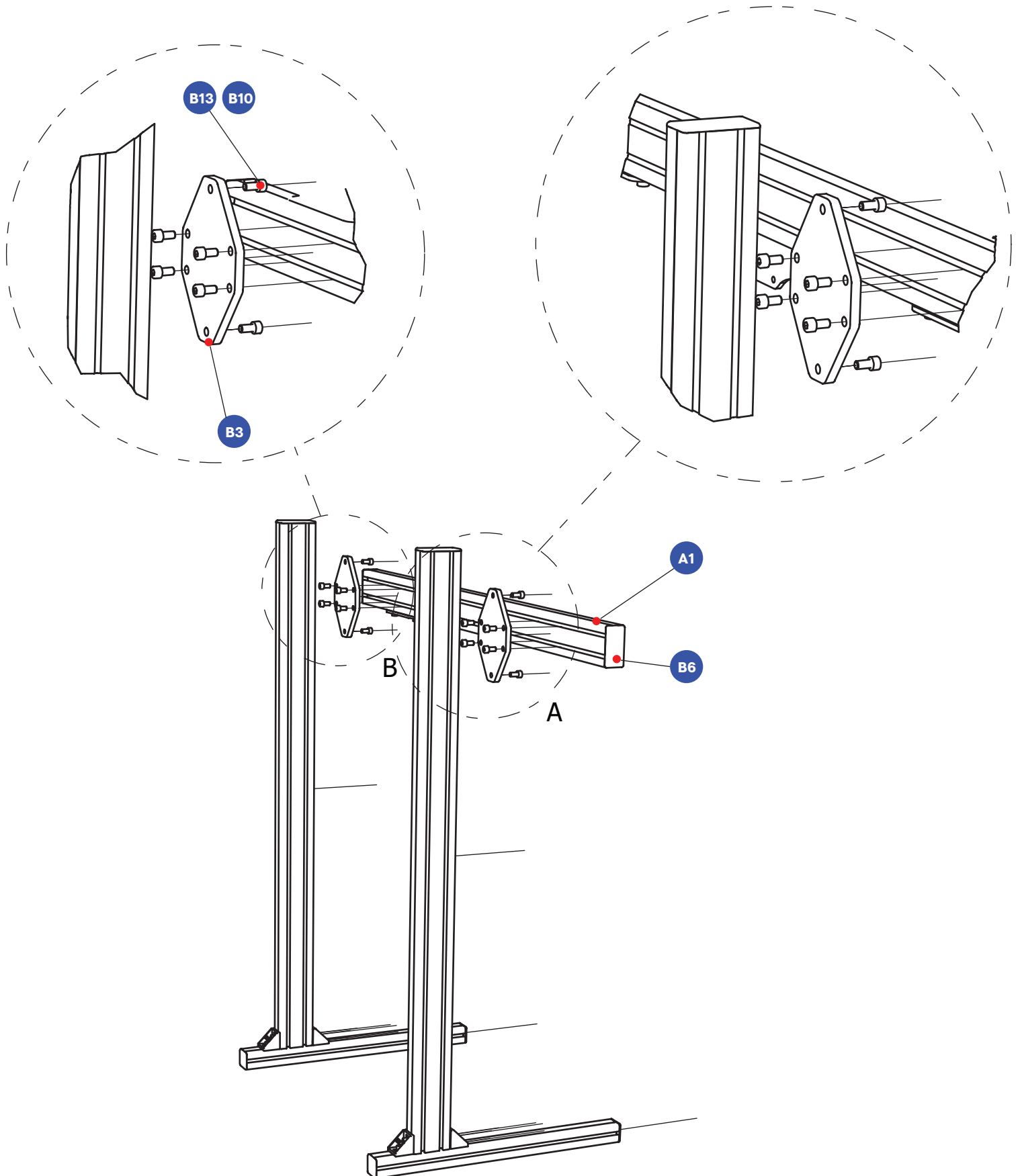
Attach upright to the feet

A (0,30 : 1)



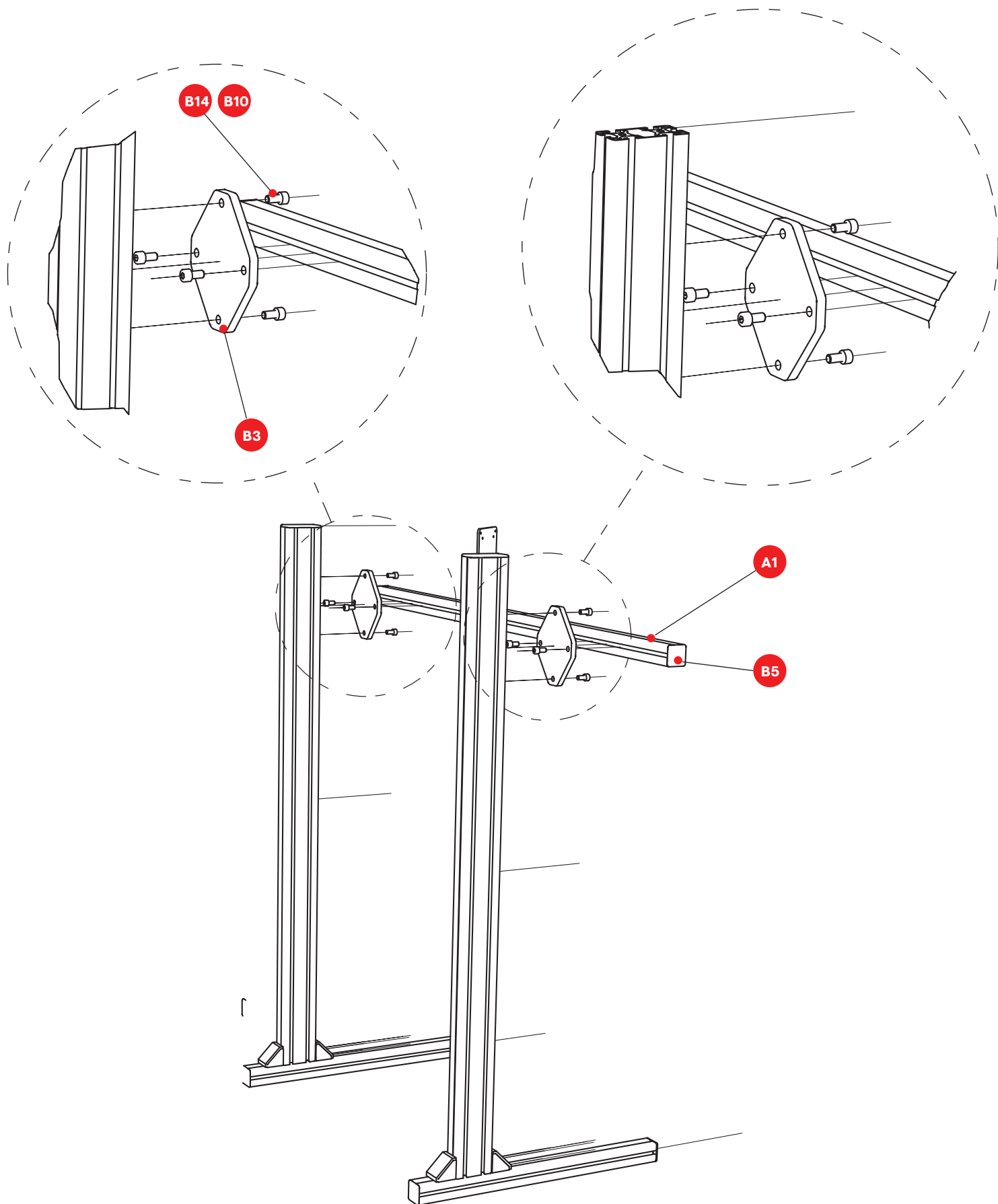
STEP 2a

Triple monitor mount 100/200 - Attach the crossbar to uprights using the sandwich plates



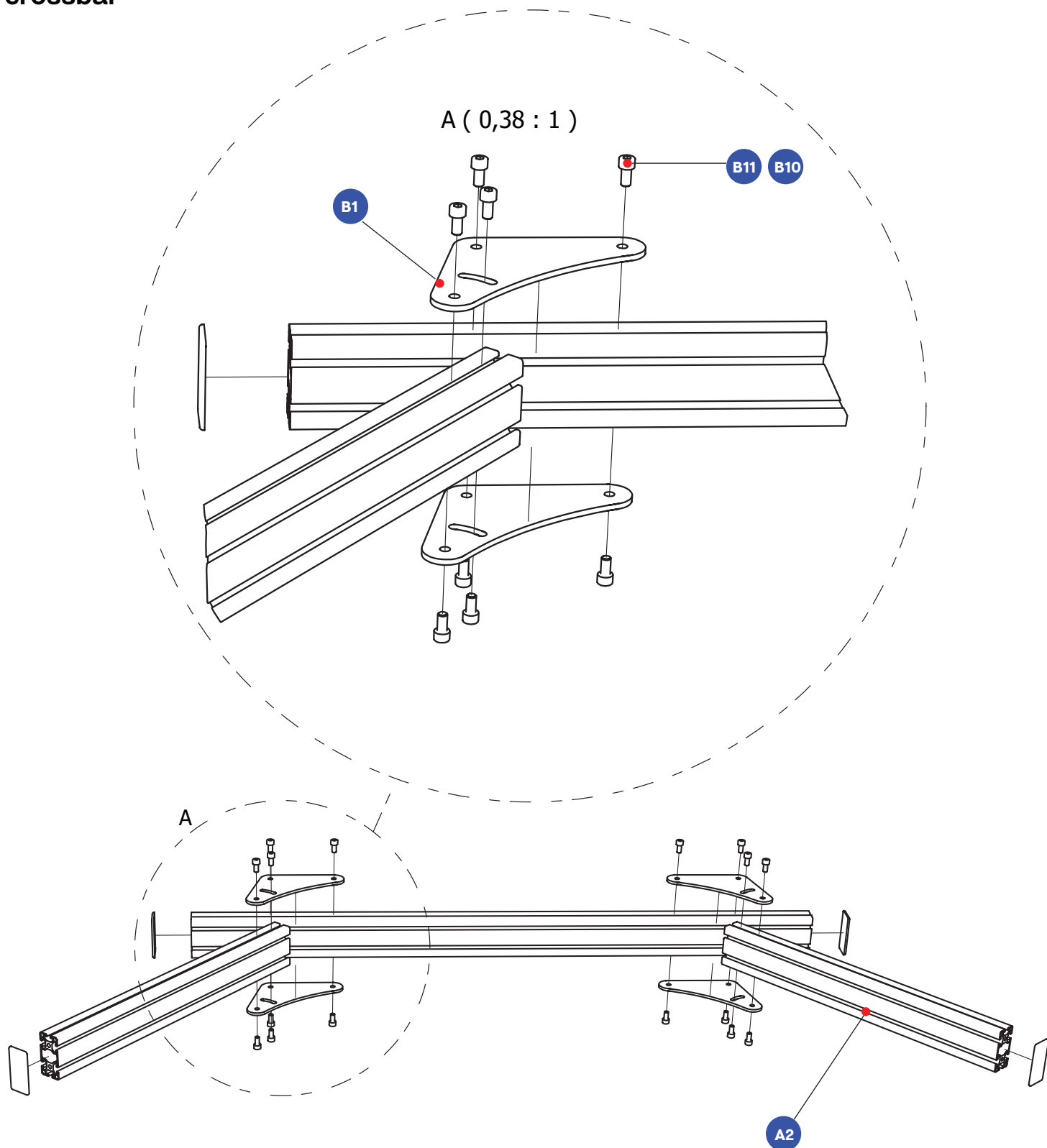
STEP 2b

Triple monitor mount 75/100 - Attach the crossbar to uprights using the sandwich plates



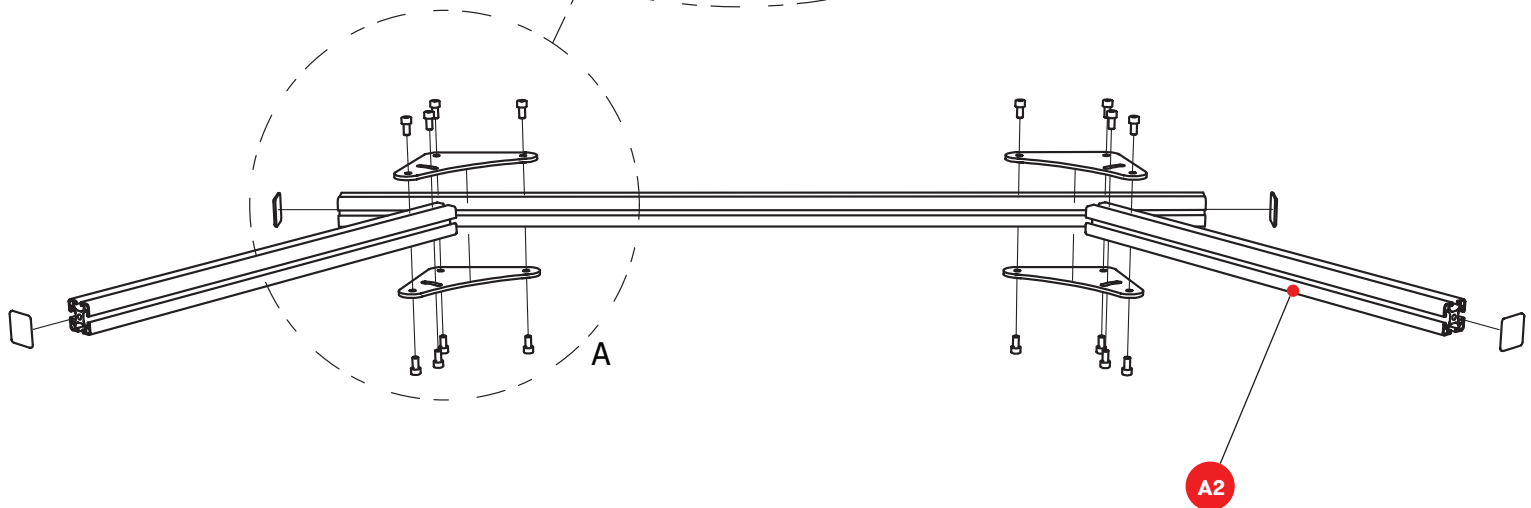
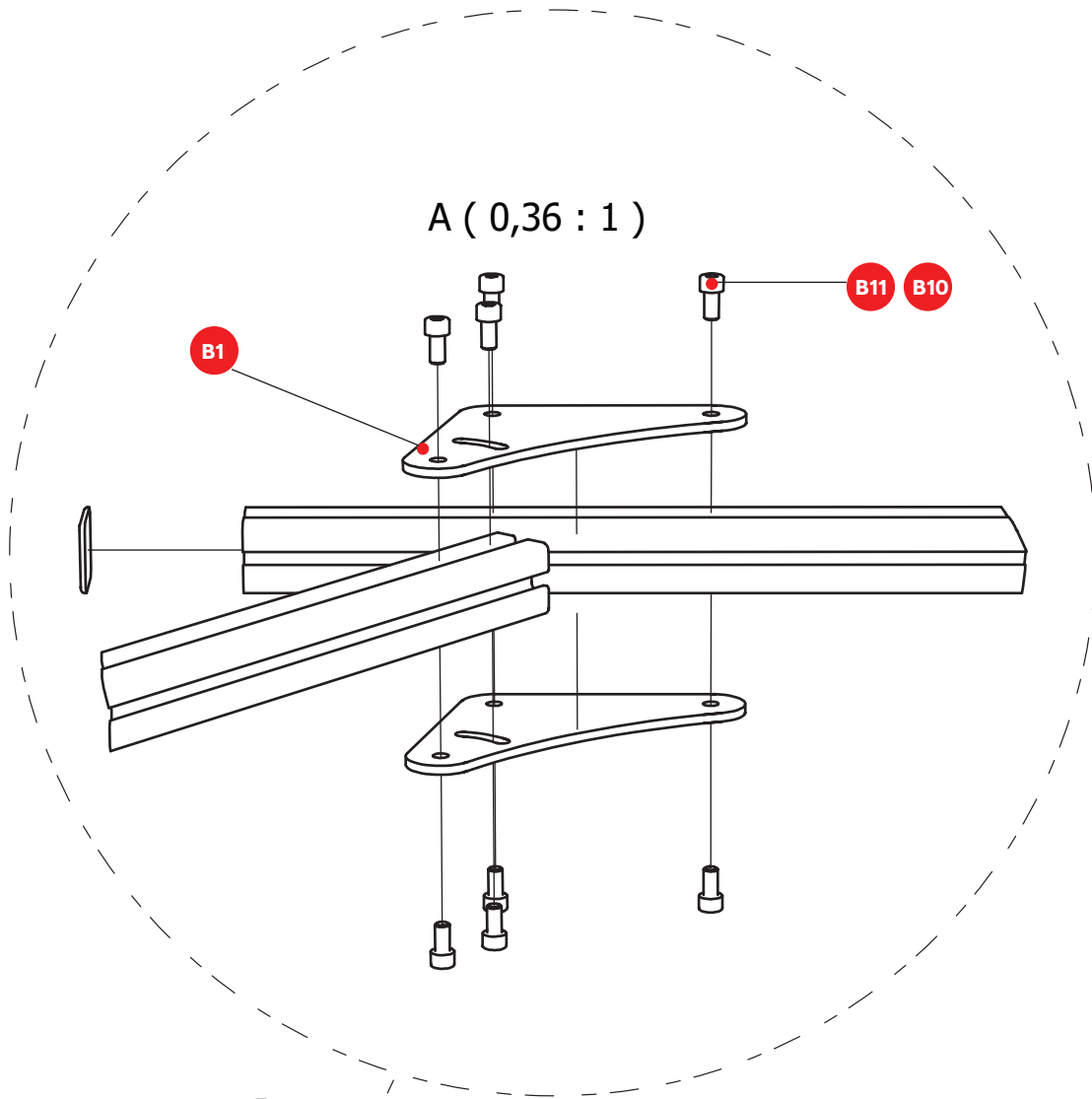
STEP 3a

Triple monitor mount 100/200 - Mount pivot plates to the crossbar



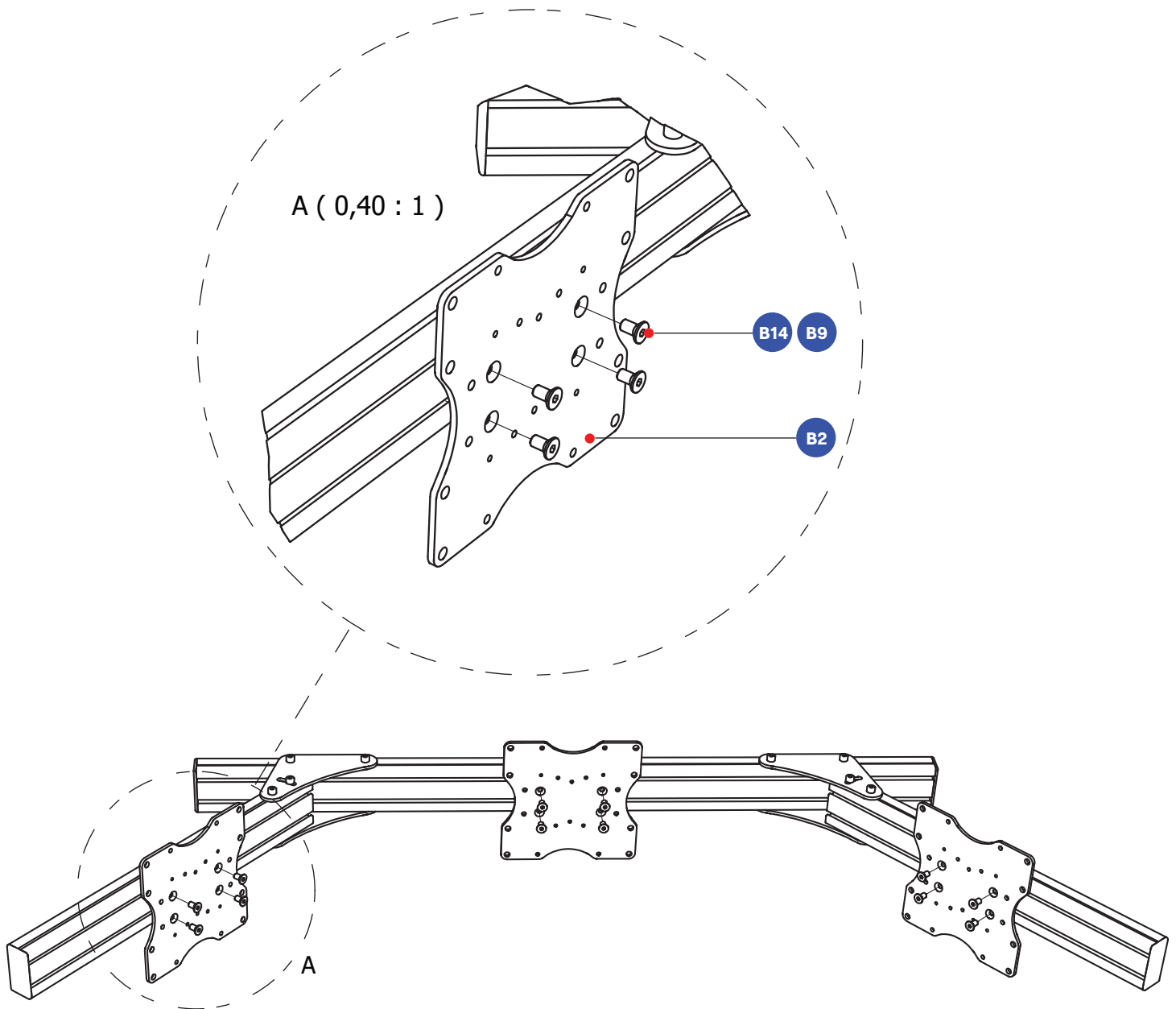
STEP 3b

Triple monitor mount 75/100 - Mount pivot plates to the crossbar



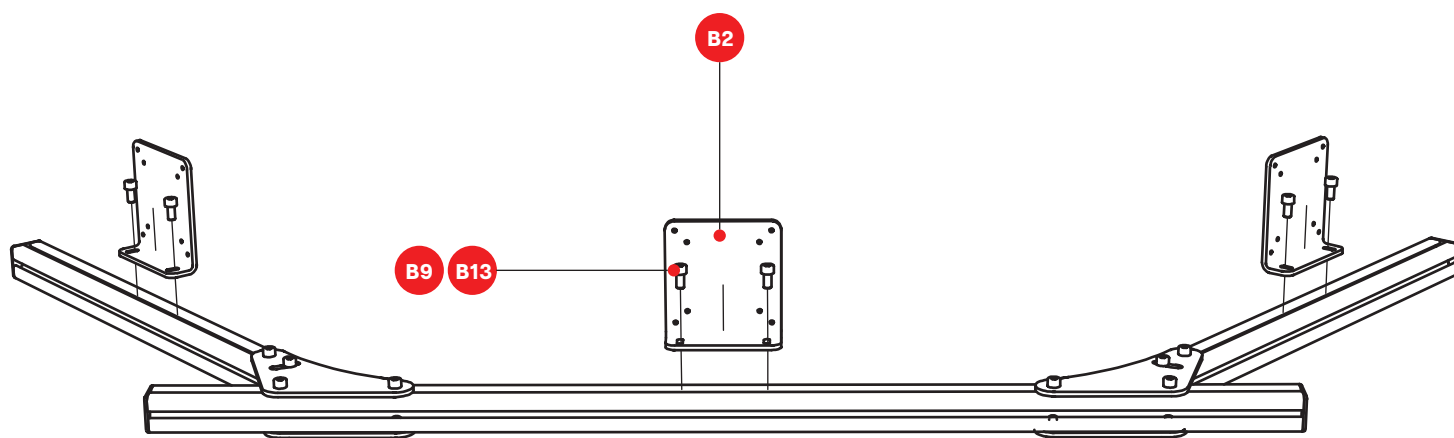
STEP 4a

Triple monitor mount 100/200 - Mount VESA plate to the side arms and crossbar



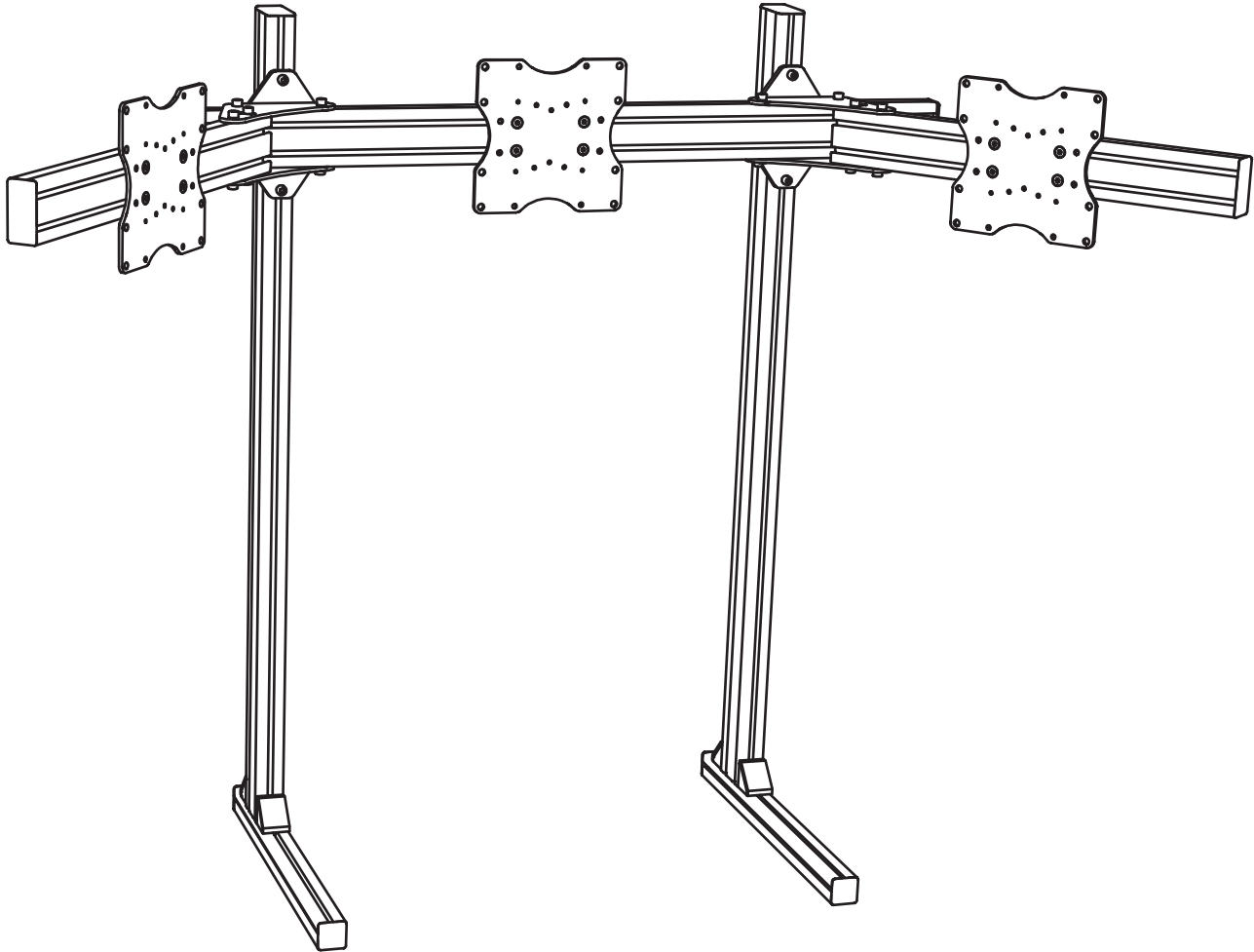
STEP 4b

Triple monitor mount 75/100 - Mount VESA plate to the side arms and crossbar



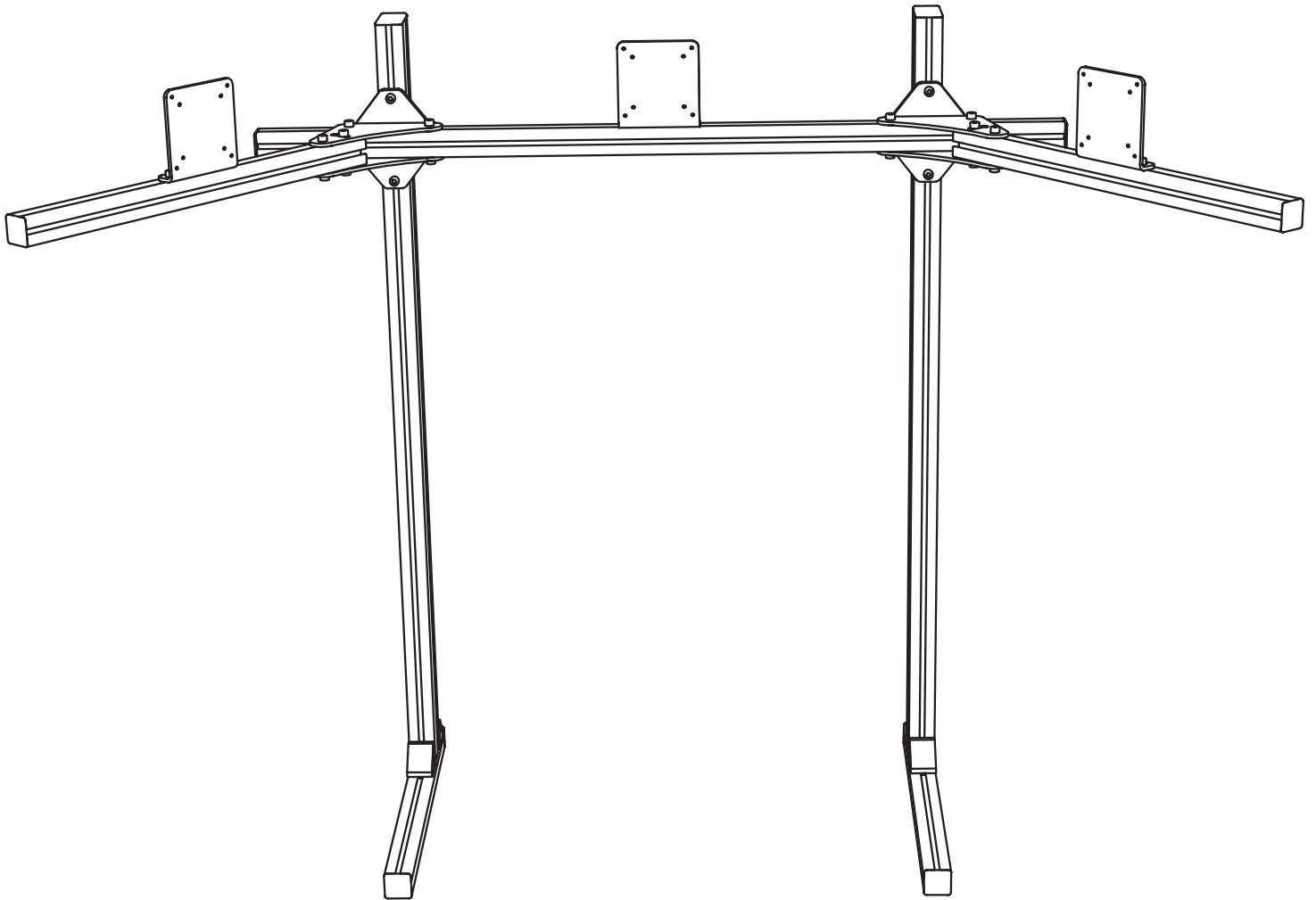
STEP 5a

Triple monitor mount 100/200 - Final product



STEP 5b

Triple monitor mount 75/100 - Final product



Parts list - 75/100 ●

Profile kit

Part No.	Part name	QTY	UoM	Note
A1	Profile 40mm slot 8 (Black, 40x40L) - 1195mm	1	Units	Crossbar
A2	Profile 40mm slot 8 (Black, 40x40L) - 580mm	2	Units	Side arms
A3	Profile 40mm slot 8 (Black, 40x40L) - 580mm	2	Units	Feet
A4	Profile 40mm slot 8 (Black, 40x80L) - 1195mm	2	Units	Uprights

Hardware kit

Part No.	Part name	QTY	UoM	Note
B1	Pivot plate, aluminium, 5mm, black	4	Units	
B2	VESA 75/100 bracket, aluminium, 5mm, black	3	Units	
B3	Triple sandwich plate 40	2	Units	
B4	Corner bracket 40x40 + cover cap	4	Units	
B5	End cap profile (40x40L)	10	Units	
B6	End cap profile (40x80L)	2	Units	
B7	Rubber feet	4	Units	
B8	Spacer - male / female (10mm, M4)	12	Units	Spacers, if VESA mount on monitor back is inset
B9	Slot 8 nut (M6)	10	Units	
B10	Slot 8 nut (M8)	32	Units	
B11	Bolt - DIN 912 (Black steel, 16mm, M8)	24	Units	
B12	Bolt - DIN 912 (Black steel, 20mm, M6)	4	Units	
B13	Bolt - DIN 912 (Black steel, 16mm, M6)	14	Units	
B14	Bolt - DIN 912 (Black steel, 20mm, M8)	8	Units	
B15	Phillips head screw - DIN 7985 (10mm, M4)	12	Units	Mounting monitor to the VESA plate
B16	Phillips head screw - DIN 7985 (16mm, M4)	12	Units	Alternative length for monitor to VESA mounting

Parts list - 100/200 ●

Profile kit					
Part No.	Part name	QTY	UoM	Note	
A1	Profile 40mm slot 8 (Black, 40x80L) - 1195mm	1	Units	Crossbar	
A2	Profile 40mm slot 8 (Black, 40x80L) - 580mm	2	Units	Side arms	
A3	Profile 40mm slot 8 (Black, 40x40L) - 580mm	2	Units	Feet	
A4	Profile 40mm slot 8 (Black, 40x80L) - 1195mm	2	Units	Uprights	

Hardware kit					
Part No.	Part name	QTY	UoM	Note	
B1	Pivot plate, aluminium, 5mm, black	4	Units		
B2	VESA 200 adapter	3	Units		
B3	Triple sandwich plate 80	2	Units		
B4	Corner bracket 40x40 + Cover cap	4	Units		
B5	End cap profile (40x40L)	4	Units		
B6	End cap profile (40x80L)	8	Units		
B7	Rubber feet	4	Units		
B8	Spacer - male/female (10mm, M4)	12	Units	Spacers, if bolts VESA panel on monitor is inset	
B9	Slot 8 nut (M6)	16	Units		
B10	Slot 8 nut (M8)	36	Units		
B11	Bolt - DIN 912 (Black steel, 16mm, M8)	24	Units		
B12	Bolt - DIN 912 (Black steel, 20mm, M6)	4	Units		
B13	Bolt - DIN 912 (Black steel, 20mm, M8)	12	Units		
B14	Bolt - DIN 7991 (Black steel, 12mm, M6)	12	Units		
B15	Phillips head screw - DIN 7985 (10mm, M4)	12	Units	Mounting monitor to the VESA plate	
B16	Phillips head screw - DIN 7985 (16mm, M4)	12	Units	Alternative length for monitor to VESA mounting	