

Single Monitor/TV stand

INSTRUCTION MANUAL



SKU: **SLT010**

<https://sim-lab.eu/shop/product/single-monitor-tv-stand-654>

info@sim-lab.eu



Required tools:

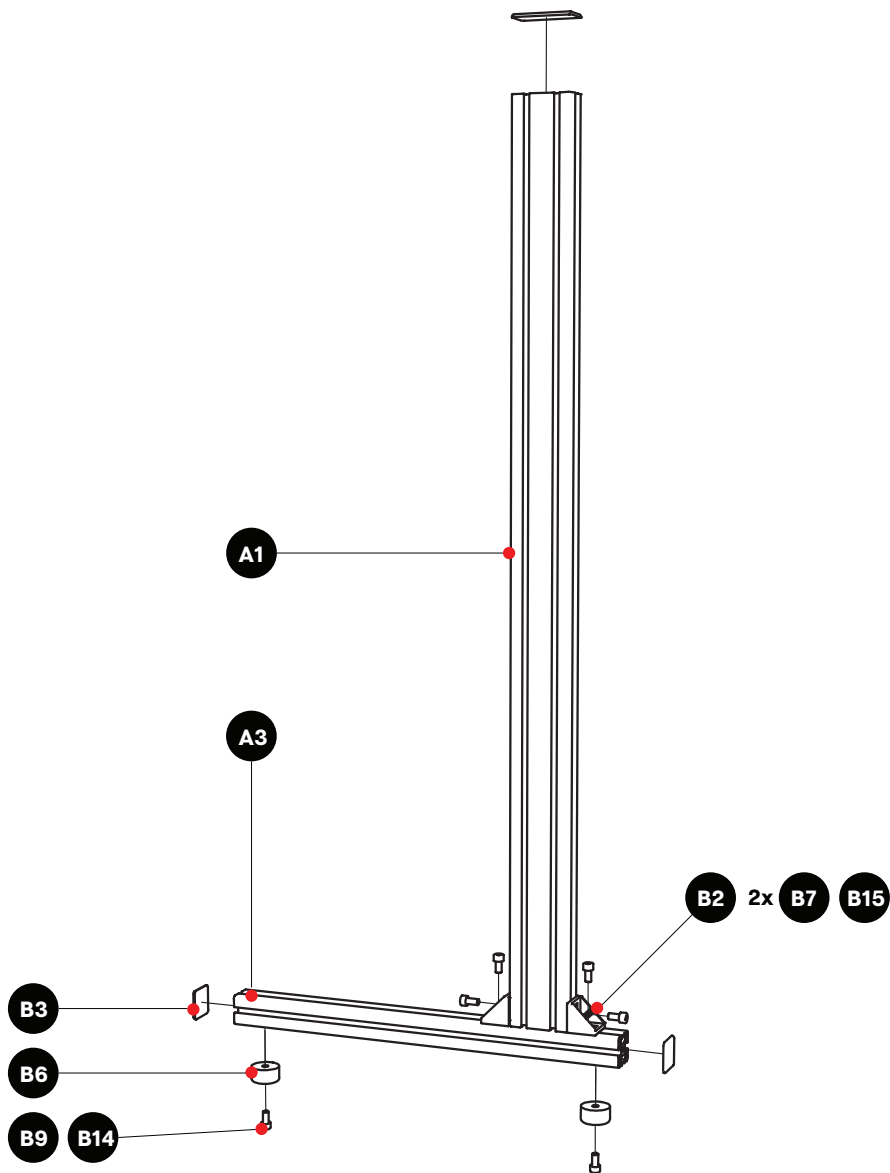


5/6 mm



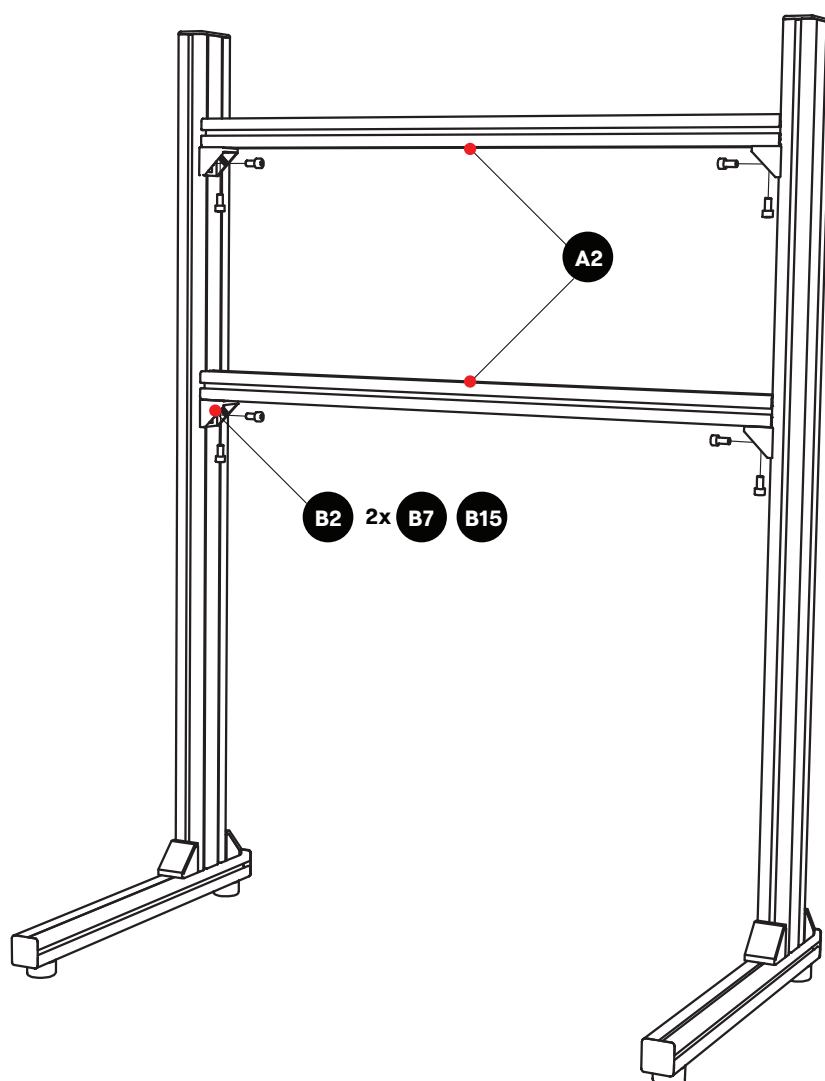
STEP 1

Feet and upright assembly



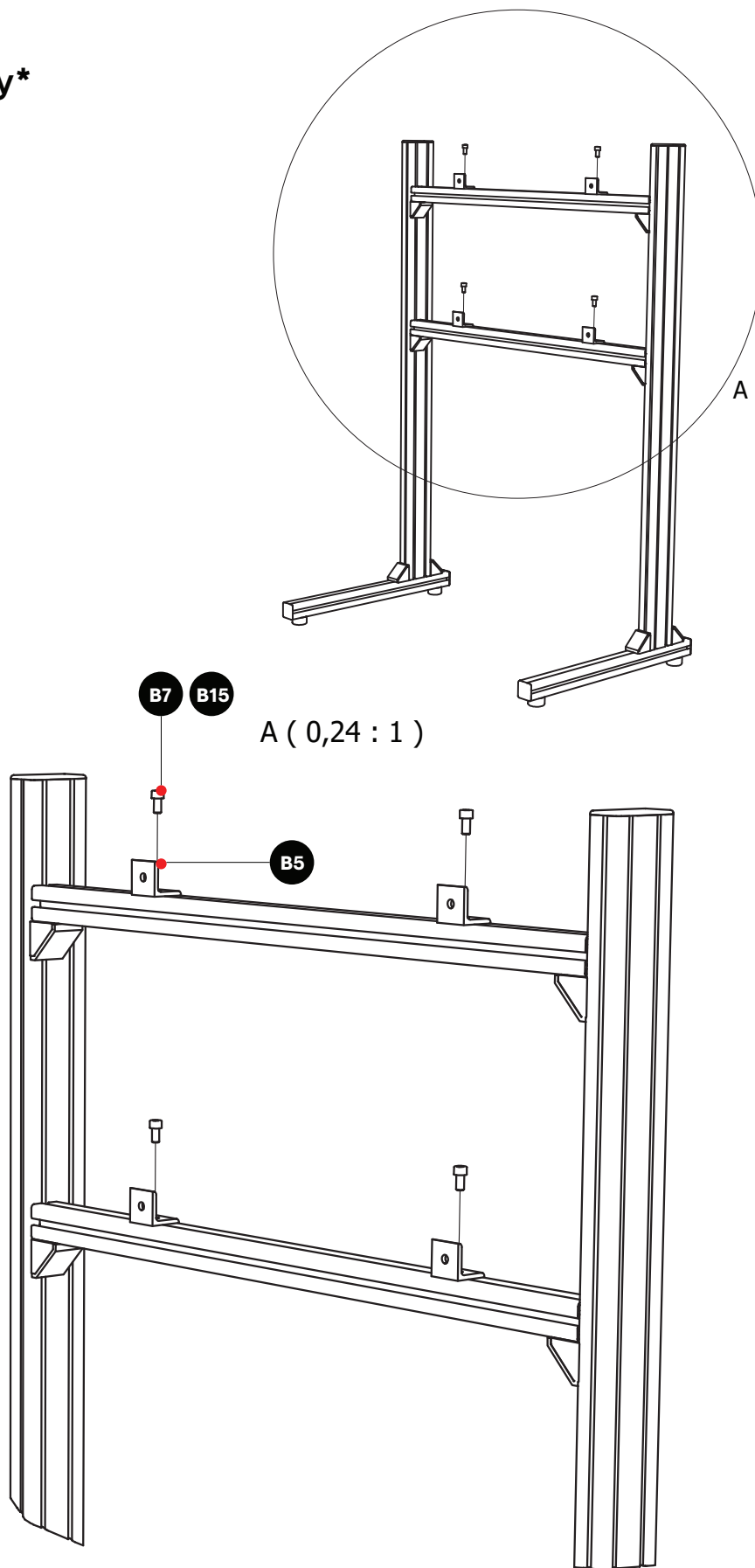
STEP 2

Crossbar assembly



STEP 3

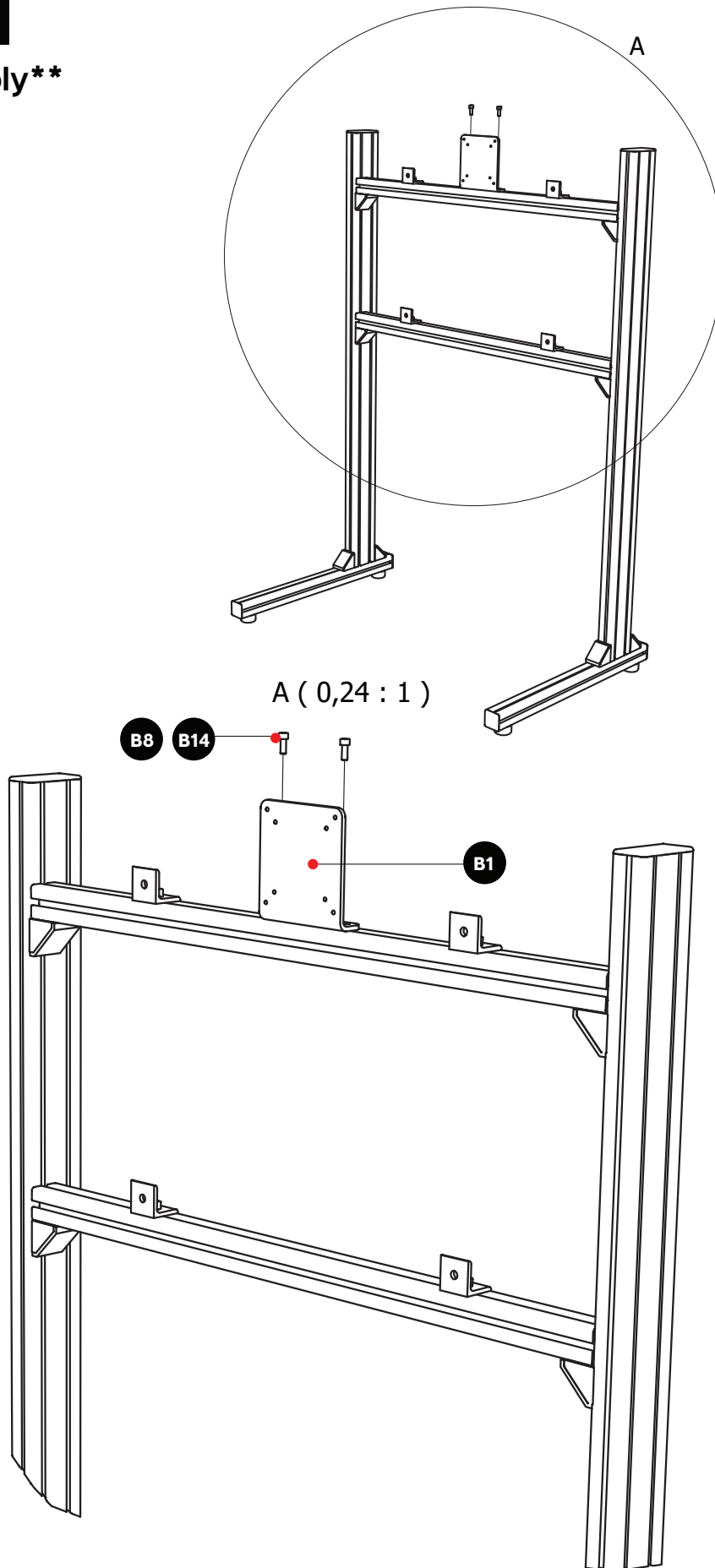
VESA assembly*



* Used for VESA mounts larger than 100x100 (e.g. 200x200, 200x300, 300x300, 400x400)

STEP 4

VESA assembly**



* Used for 75x75 and 100x100 VESA mounts

Parts list

Profile kit					
Part No.	Part name	QTY	UoM	Note	
A1	Profile 40mm slot 8 (Black, 40x80L) - 1195mm	2	Units	Uprights	
A2	Profile 40mm slot 8 (Black, 40x40L) - 850mm	2	Units	Crossbars	
A3	Profile 40mm slot 8 (Black, 40x40L) - 580mm	2	Units	Feet	

Hardware kit					
Part No.	Part name	QTY	UoM	Note	
B1	VESA 75/100 bracket, aluminium, 5mm, black	8	Units	Optional, for use on 75x75 and 100x100 VESA	
B2	Corner bracket 40x40 + Cover cap	3	Units		
B3	End cap profile (40x40L)	4	Units		
B4	End cap profile (40x80L)	2	Units		
B5	ELOX corner bracket - slot 8 mm	4	Units		
B6	Rubber feet	4	Units		
B7	Bolt - DIN 912 (Galvanised, 16mm, M8)	24	Units		
B8	Bolt - DIN 912 (Black steel, 16mm, M6)	2	Units		
B9	Bolt - DIN 912 (Black steel, 20mm, M6)	4	Units		
B10	Phillips head screw - DIN 7985 (10mm)	4	Units	For attaching monitor to ELOX/VESA plate, shorter	
B11	Phillips head screw - DIN 7985 (16mm)	4	Units	For attaching monitor to ELOX/VESA plate, longer	
B12	Spacer - male / female (10mm, M4)	4	Units	Spacers for offset, if VESA panel on monitor is inset	
B13	Washer (Black steel, M8, plain black)	24	Units		
B14	Slot 8 nut (M6)	6	Units		
B15	Slot 8 nut (M8)	20	Units		