

GT2

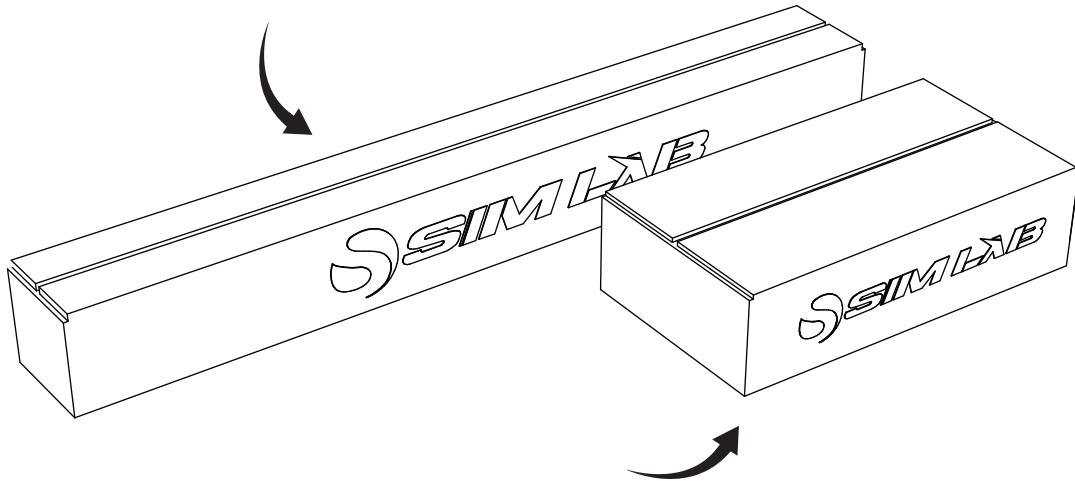
INSTRUCTION MANUAL



Thank you for purchasing a Sim-Lab GT2 Direct drive Cockpit! On the following pages you will find a detailed instruction how to build this cockpit. Assembling requires a set of simple tools, and general knowledge of how to use them and a bit of technical insight.

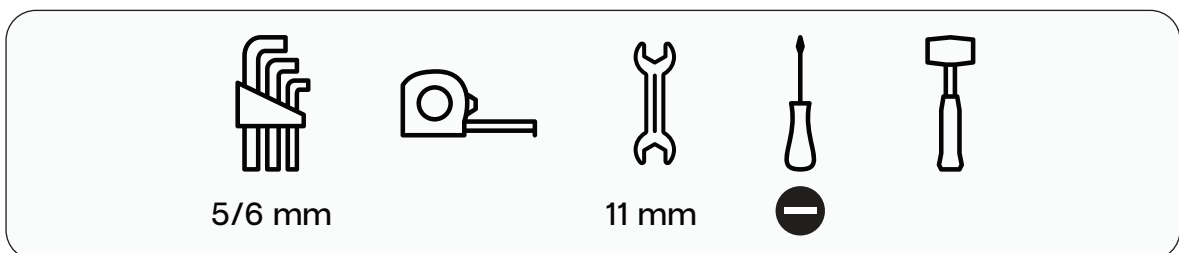
Generally it takes about 3-4 hours to build this cockpit. Before starting please check contents (page 8) and make sure all the parts are accounted for in the packages.

BOX A (Profile kit) - 125x14x14 cm

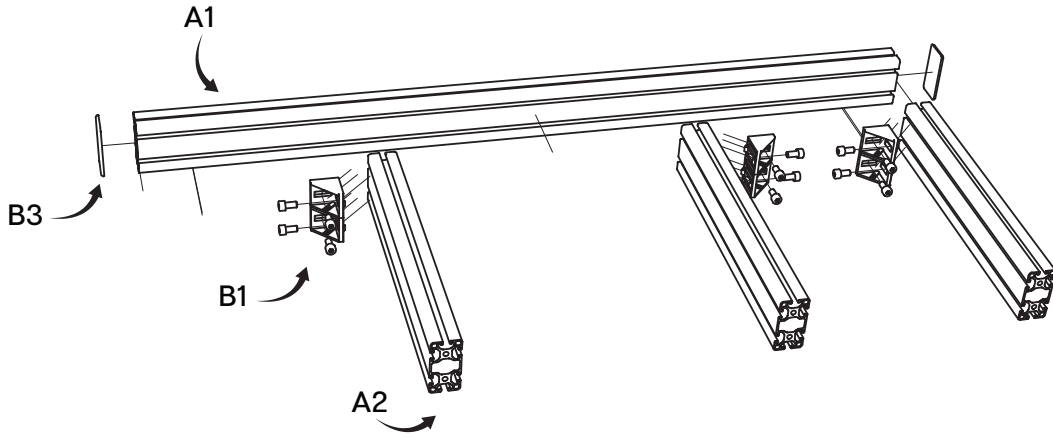
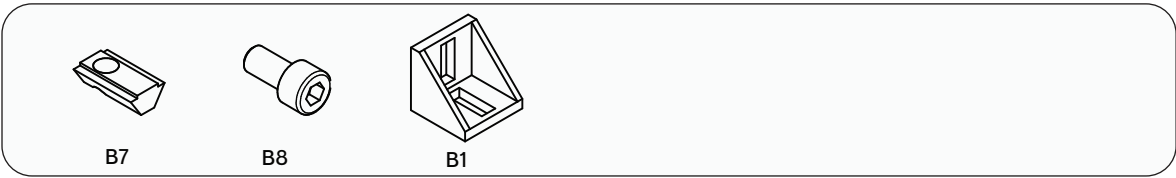


BOX B (Hardware kit) - 45x45x11 cm

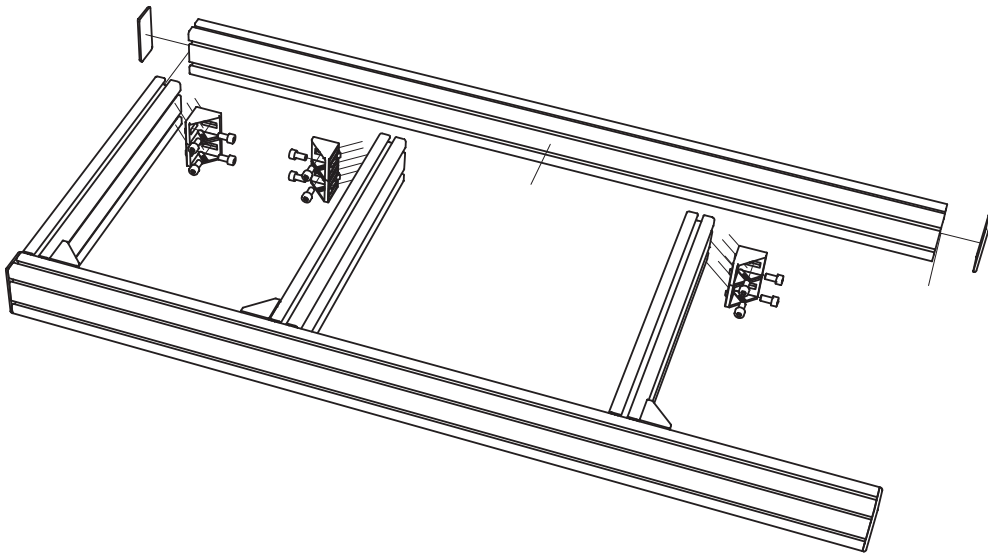
Required tools:



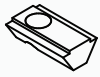
1



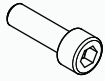
1a



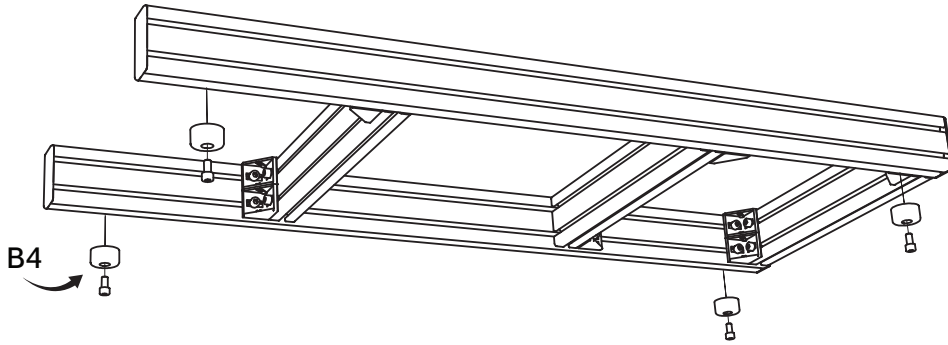
2



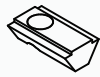
B6



B9



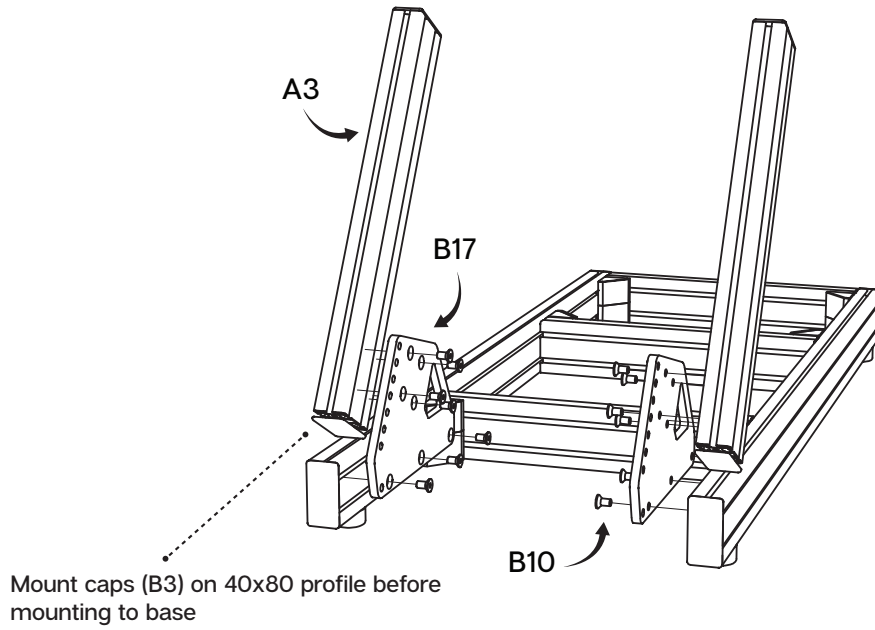
3



B6

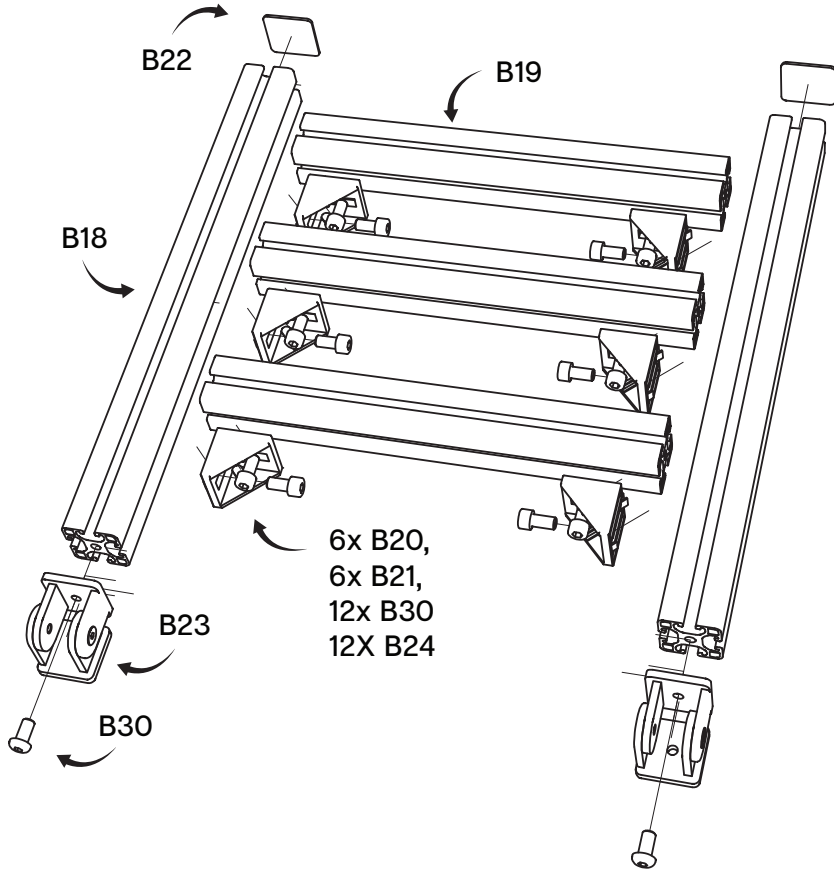
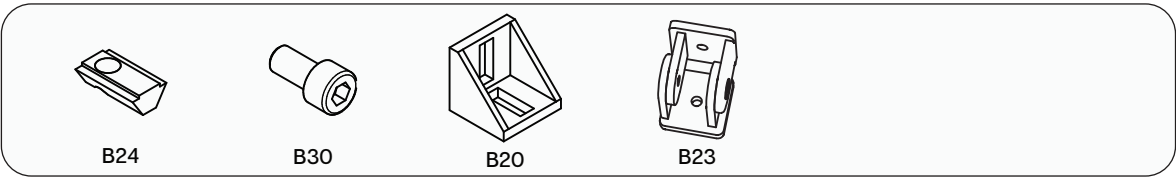


B10

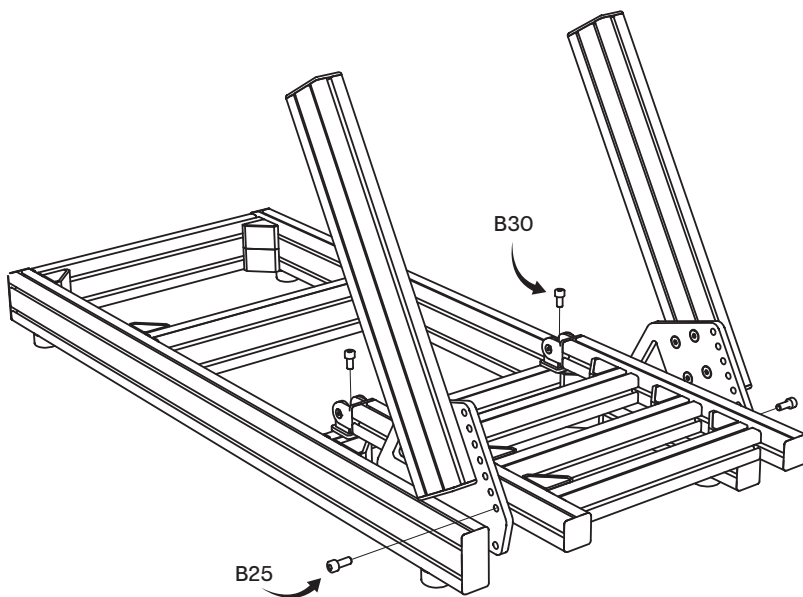


Mount caps (B3) on 40x80 profile before mounting to base

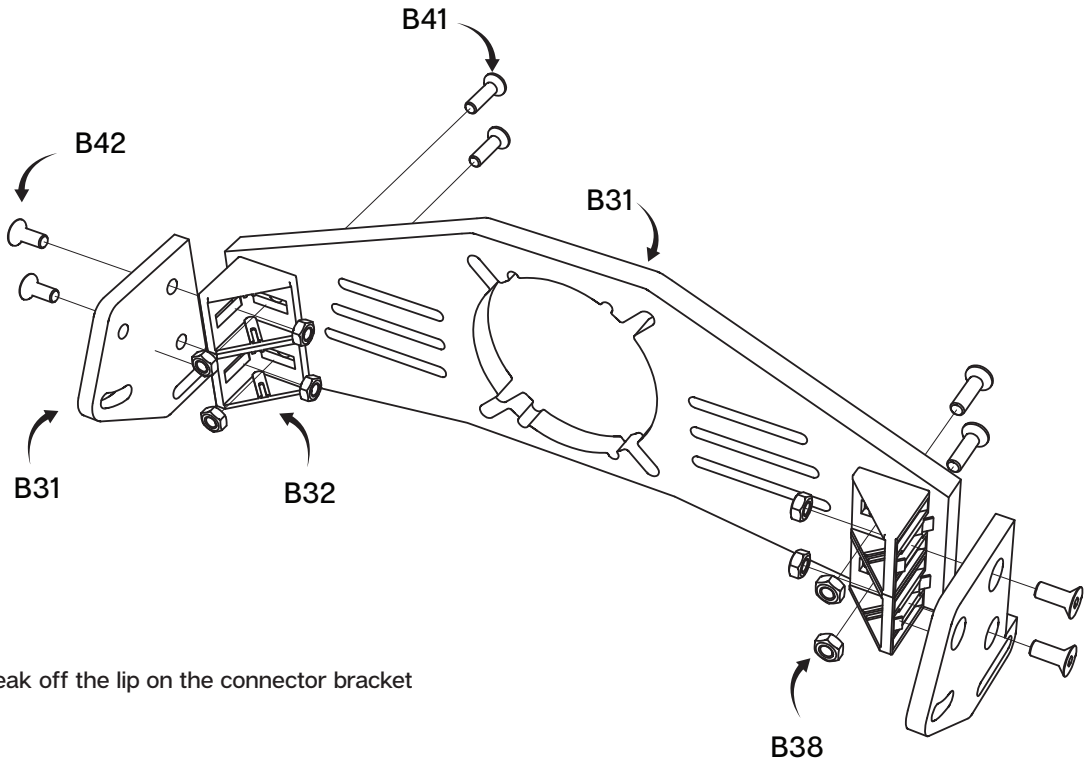
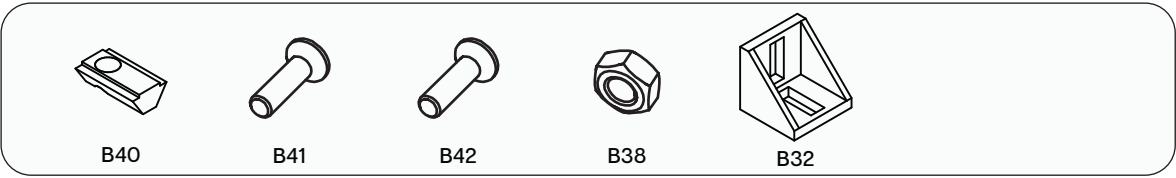
4



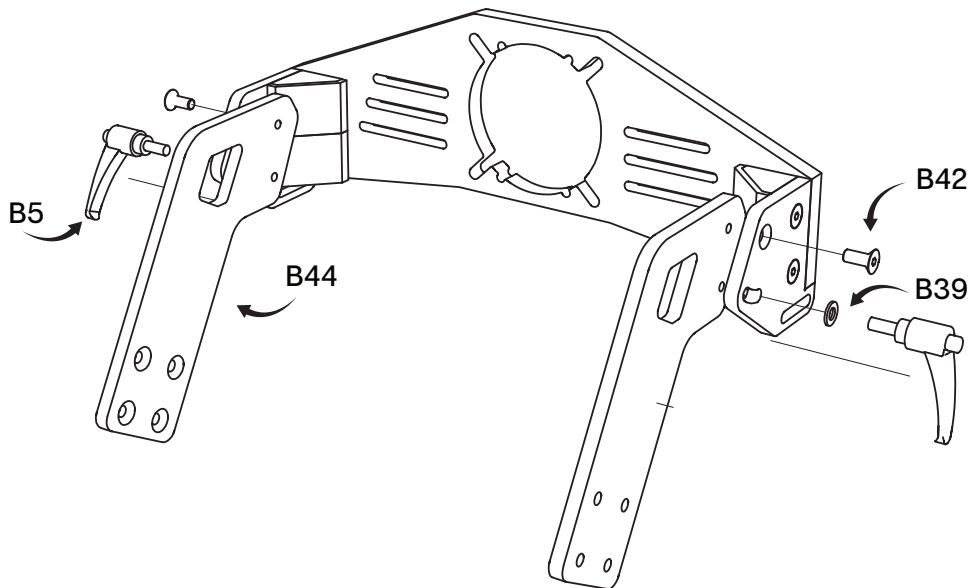
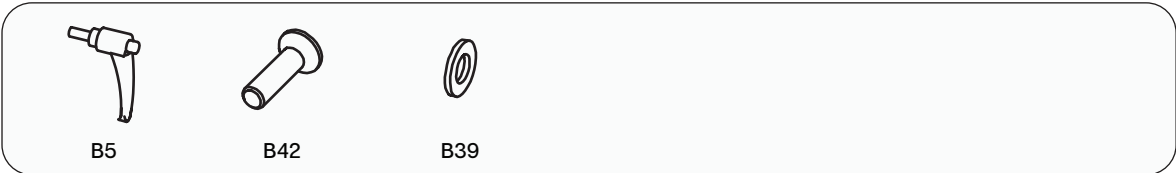
5



6



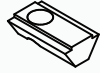
6a



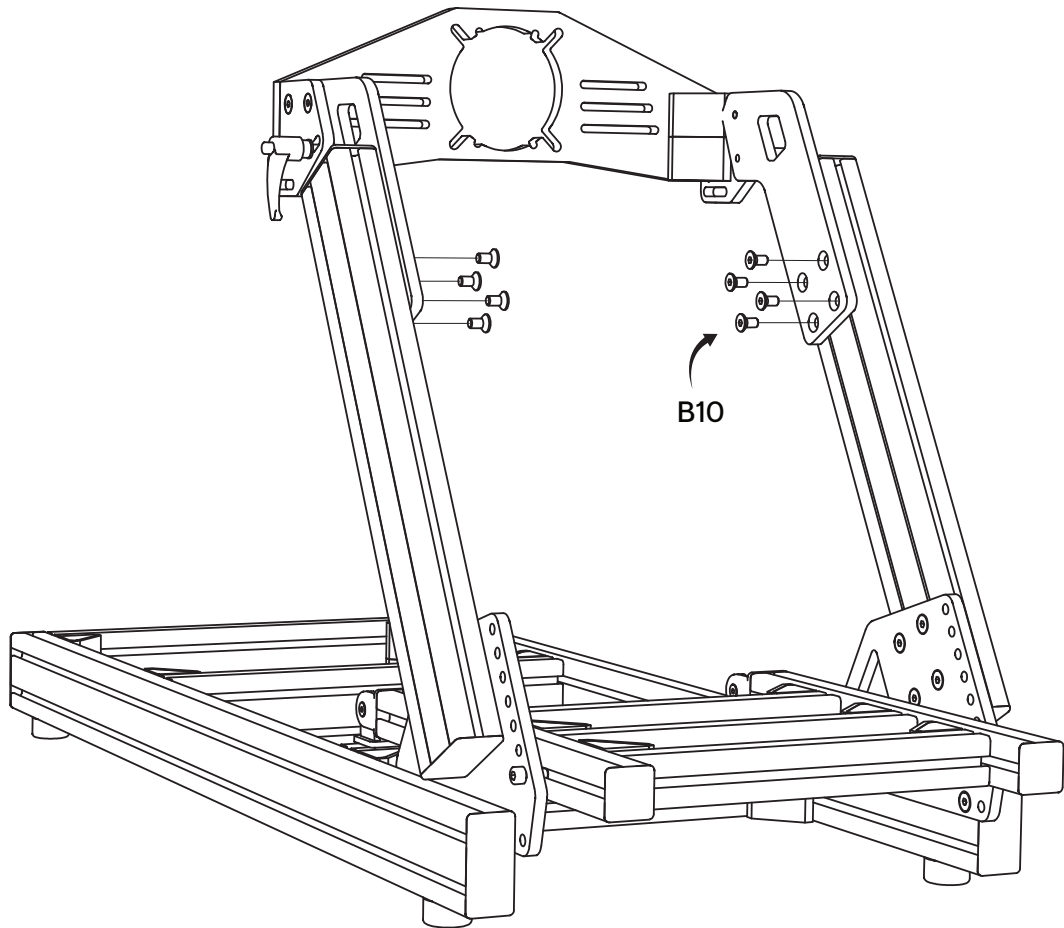
7



B10



B6



Parts list

BOX A		Base Profiles (Black)	
A1		Profile 40 mm slot 8 (Black, 40x80L) - 1195mm	2 Units
A2		Profile 40 mm slot 8 (Black, 40x80L) - 420mm	3 Units
A3		Profile 40 mm slot 8 (Black, 40x80L) - 500mm	2 Units
A4		Cover strip for profile (Red)	4 Meter

BOX B		Hardware kit	
Hardware kit			
B1		Connector bracket 40x40	8 Units
B2		Cover cap for connector bracket 40x40	8 Units
B3		End cap profile (40x80L)	8 Units
B4		Rubber feet	4 Units
B5		Handle M8x20	2 Units
B6		Slot 8 nut (M6)	20 Units
B7		Slot 8 nut (M8)	50 Units
B8		Bolt - DIN 912 (Galvanised, 16mm, M8)	20 Units
B9		Bolt - DIN 912 (Galvanised, 20mm, M6)	4 Units
B10		Bolt - DIN 7991 (Black steel, 20mm, M8)	30 Units
B11		Nut (M8, DIN 985 locknut, Galvanised)	8 Units
B12		Bolt - DIN 912 (Black steel, 25mm, M8)	4 Units
B13		Bolt - DIN 912 (Black steel, 20mm, M8)	10 Units
B14		Bolt - DIN 912 (Black steel, 16mm, M6)	4 Units
B15		Plastic sleeve black (10mm)	2 Units
B16		Simlab sticker TR1	1 Units

		Pedal frame	
B17		GT2 Pedal deck triangle set (Left and Right)	1 Units
B18		Profile 40mm slot 8 (Black, 40x40L) - Threaded 500mm	2 Units
B19		Profile 40mm slot 8 (Black, 40x40L) - 420mm	3 Units
B20		Corner Bracket 40x40	10 Units
B21		Cover cap for corner bracket 40x40	10 Units
B22		End cap profile (40x40L)	2 Units
B23		Joint 40	2 Units
B24		Slot 8 nut (M8)	34 Units
B25		Bolt - DIN 912 (Black steel, 20mm, M8)	2 Units
B26		Slot 8 nut (M6)	12 Units
B27		Slot 8 nut (M5)	12 Units
B28		Bolt - DIN 912 (Black steel, 16mm, M6)	12 Units
B29		Bolt - DIN 912 (Black steel, 16mm, M5)	12 Units
B30		Bolt - DIN 912 (Galvanised, 16mm, M8)	12 Units

		Front mount set	
B31		GT2 Front mount set (Front + Left + Right plate)	1 Units
B32		Connector bracket 40x40	4 Units
B33		Cover cap for connector bracket 40x40	4 Units
B34		Bolt - DIN 912 (Black steel, 20mm, M6)	4 Units
B35		Bolt - DIN 912 (Black steel, 20mm, M8)	6 Units
B36		Bolt - DIN 912 (Black steel, 40mm, M8)	4 Units
B37		Spacer - male / female (10mm, M6)	4 Units
B38		Nut (M8, DIN 985 locknut, Galvanised)	12 Units
B39		Washer (Black steel, M8, Plain black)	4 Units
B40		Slot 8 nut (M8)	4 Units
B41		Bolt - DIN 7991 (Black steel, 30mm, M8)	4 Units
B42		Bolt - DIN 7991 (Black steel, 25mm, M8)	4 Units
B43		TR1/GT2 Brace	1 Units
B44		GT2 45 degree bracket set (Left + Right)	1 Units